

## Exposed Deck Mount 8" Center Commercial Faucet Models LK810GN05L2, LK810GN05T4, LK810GN05T6

### FEATURES

#### Model LK810GN05L2

- Three hole dual handle top mount faucet
- Quarter turn ceramic disc cartridge
- Solid brass construction
- Chrome finish
- 2.2 GPM VR aerator with 1.5 and .5 GPM inserts
- Includes spout swing restriction pin

#### Model LK810GN05T4

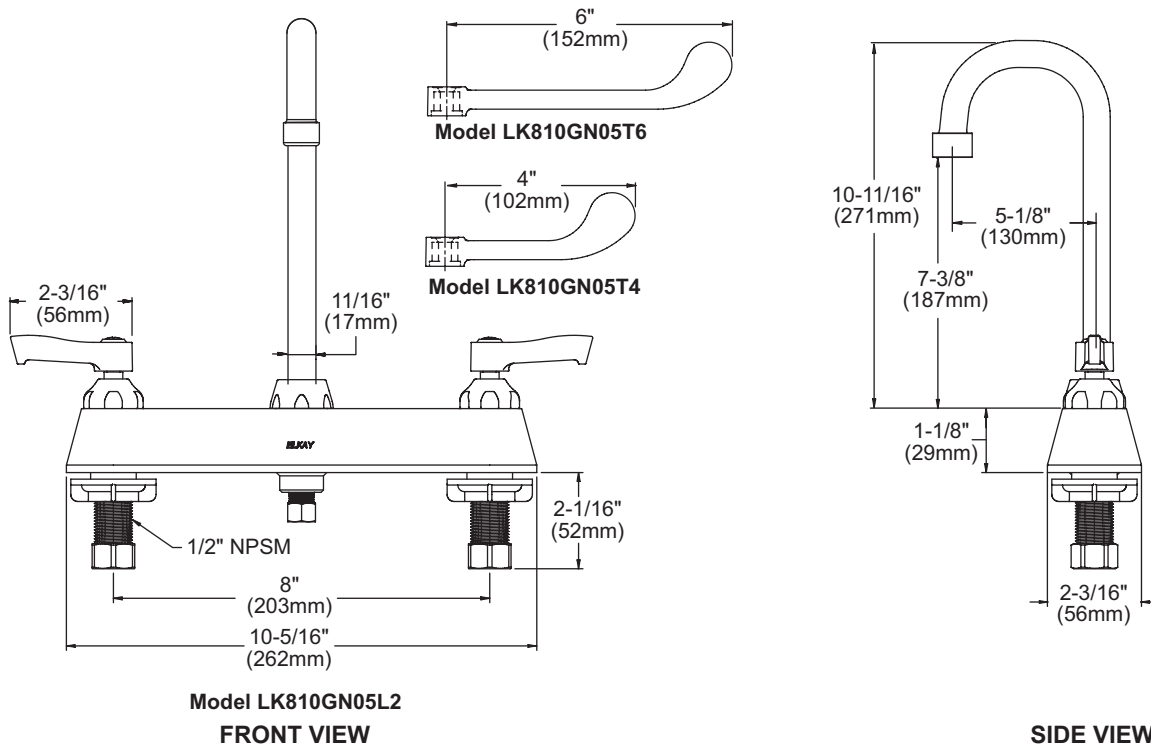
- Same as LK810GN05L2 except with 4" wrist blades handles

#### Model LK810GN05T6

- Same as LK810GN05L2 except with 6" wrist blades handles

### COMPLIES WITH:

- ASME/ANSI A112.18.1
- CSA B125-01
- NSF/ANSI 61 Annex G
- ADA
- UPC/CUPC
- IAPMO Listed
- Certified AB1953



Job Name:

Item #:

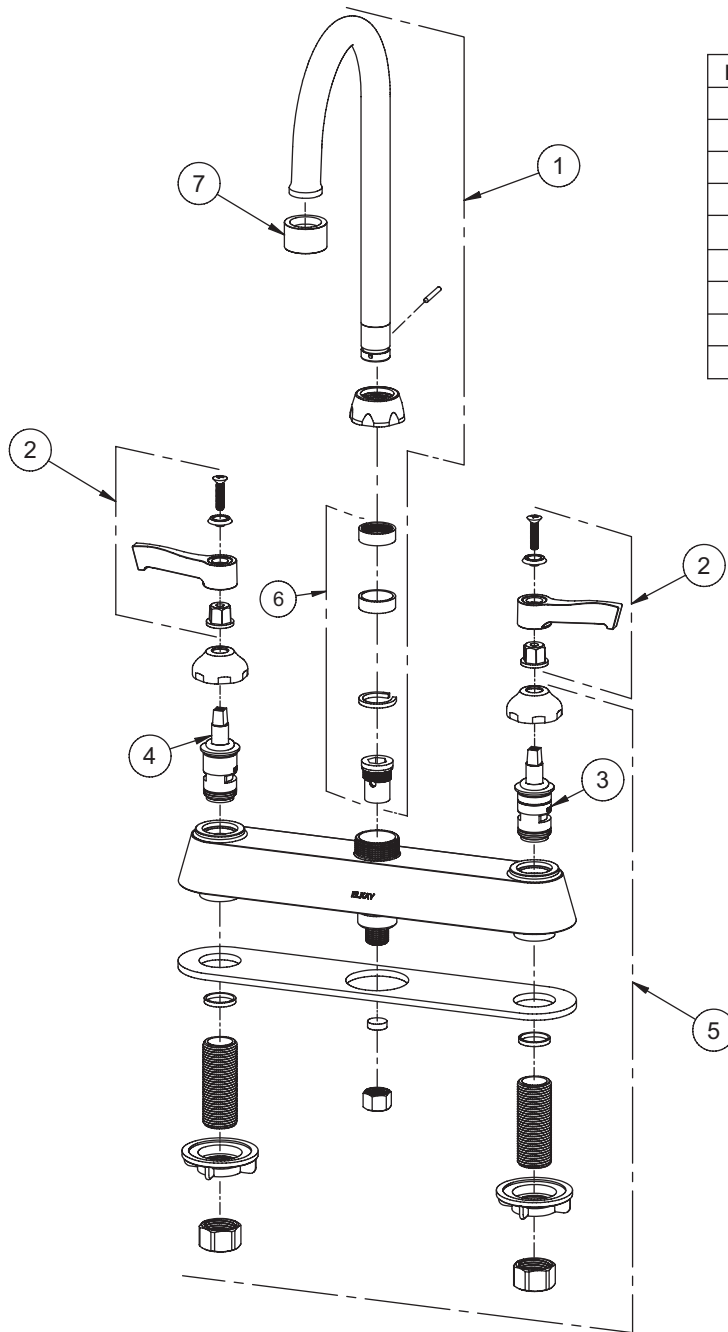
Notes:

Architect/Engineer Approval:

Date:

SEE OTHER SIDE FOR REPLACEMENT PARTS

### Exposed Deck Mount 8" Center Commercial Faucet Models LK810GN05L2, LK810GN05T4, LK810GN05T6



ITEM	IND. PART	DESCRIPTION
1	A55401	Spout
2	45918C	Handle, 2"
2	45919C	Handle, 4"
2	45920C	Handle, 6"
3	45923C	Right Cold Cartridge
4	45924C	Left Hot Cartridge
5	45914C	Body
6	98554C	Backflow Kit
7	LK734	2.2 GPM VR Aerator