

## FEATURES

### Model LK940BP03L2S

- Two hole dual handle wall mount faucet
- Quarter turn ceramic disc cartridge
- 1/2" adjustable inlets with integral stops
- Solid brass construction
- Chrome finish
- Includes spout swing restriction pin

### Model LK940BP03T4S

- Same as LK940BP03L2S except with 4" wrist blades handles

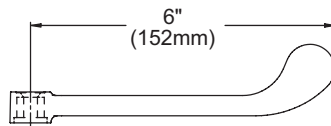
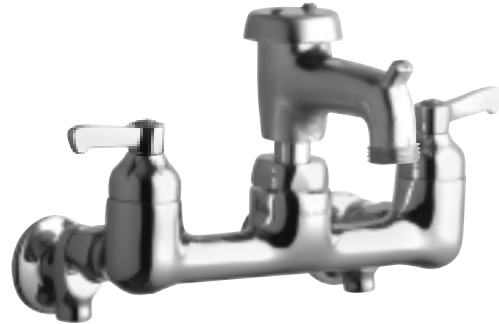
### Model LK940BP03T6S

- Same as LK940BP03L2S except with 6" wrist blades handles

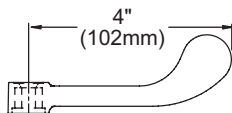
## COMPLIES WITH:

- ASME/ANSI A112.18.1
- CSA B125-01
- NSF/ANSI 61 Annex G
- ADA
- UPC/CUPC
- IAPMO Listed
- Certified AB1953

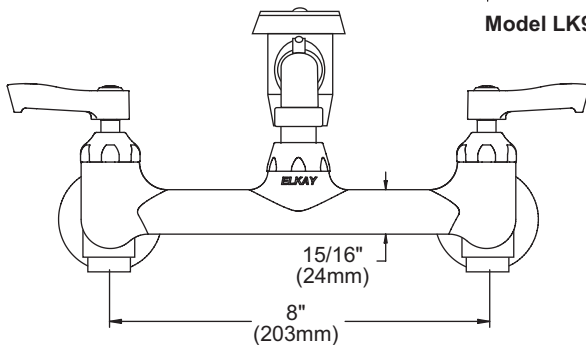
## Wall Mount 8" Center Commercial Faucet Models LK940BP03L2S, LK940BP03T4S, LK940BP03T6S



Model LK940BP03T6S

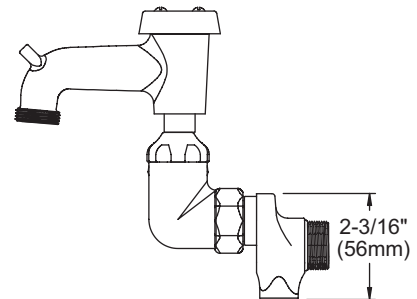


Model LK940BP03T4S



Model LK940BP03L2S

FRONT VIEW



SIDE VIEW

Job Name:	Item #:
Notes:	
Architect/Engineer Approval:	Date:

SEE OTHER SIDE FOR REPLACEMENT PARTS



# REPLACEMENT PARTS

## Wall Mount 8" Center Commercial Faucet Models LK940BP03L2S, LK940BP03T4S, LK940BP03T6S

ITEM	IND. PART	DESCRIPTION
1	A55404	Spout
2	45918C	Handle, 2"
2	45919C	Handle, 4"
2	45920C	Handle, 6"
3	45923C	Right Cold Cartridge
4	45924C	Left Hot Cartridge
5	A55413	2" Adjustable Inlet
6	45912C	Body
7	98555C	V.B. Repair Kit

