

**FEATURES**

**Model LK940HA10L2S**

- Two hole dual handle wall mount faucet
- Quarter turn ceramic disc cartridge
- 1/2" adjustable inlets with integral stops
- Solid brass construction
- Chrome finish
- 2.2 GPM VR aerator with 1.5 and .5 GPM inserts
- Includes spout swing restriction pin

**Model LK940HA10T4S**

- Same as LK940HA10L2S except with 4" wrist blades handles

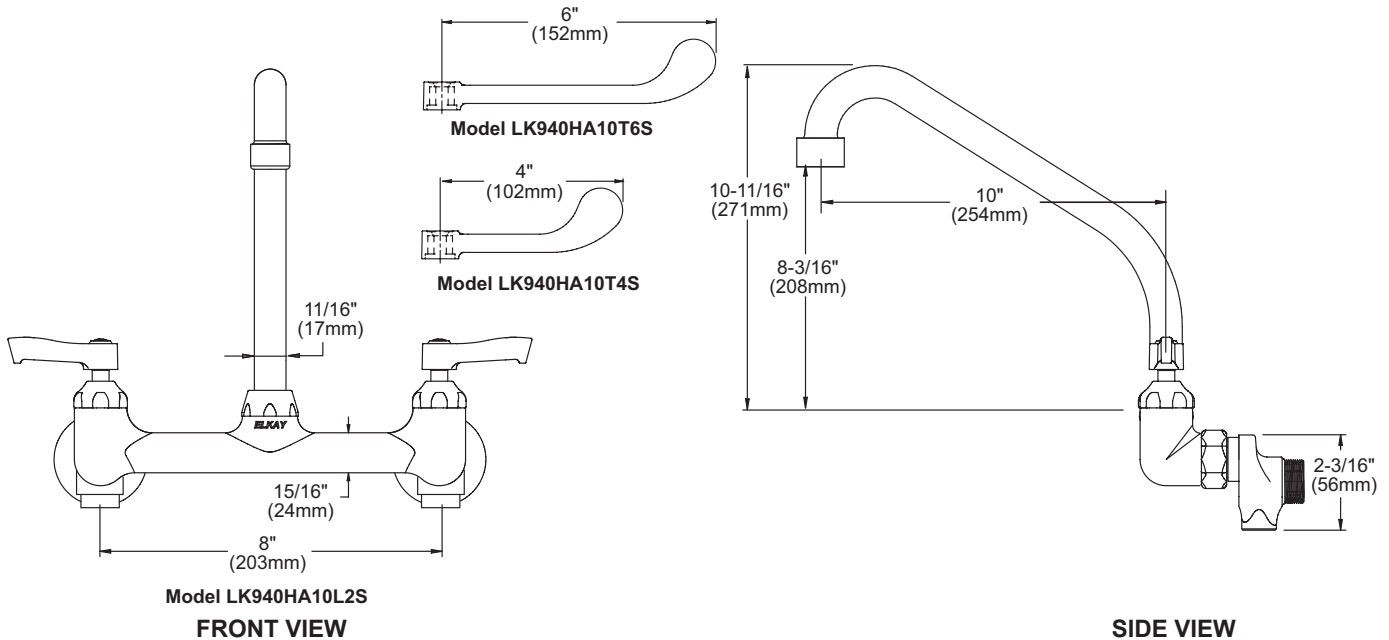
**Model LK940HA10T6S**

- Same as LK940HA10L2S except with 6" wrist blades handles

**COMPLIES WITH:**

- ASME/ANSI A112.18.1
- CSA B125-01
- NSF/ANSI 61 Annex G
- ADA
- UPC/CUPC
- IAPMO Listed
- Certified AB1953

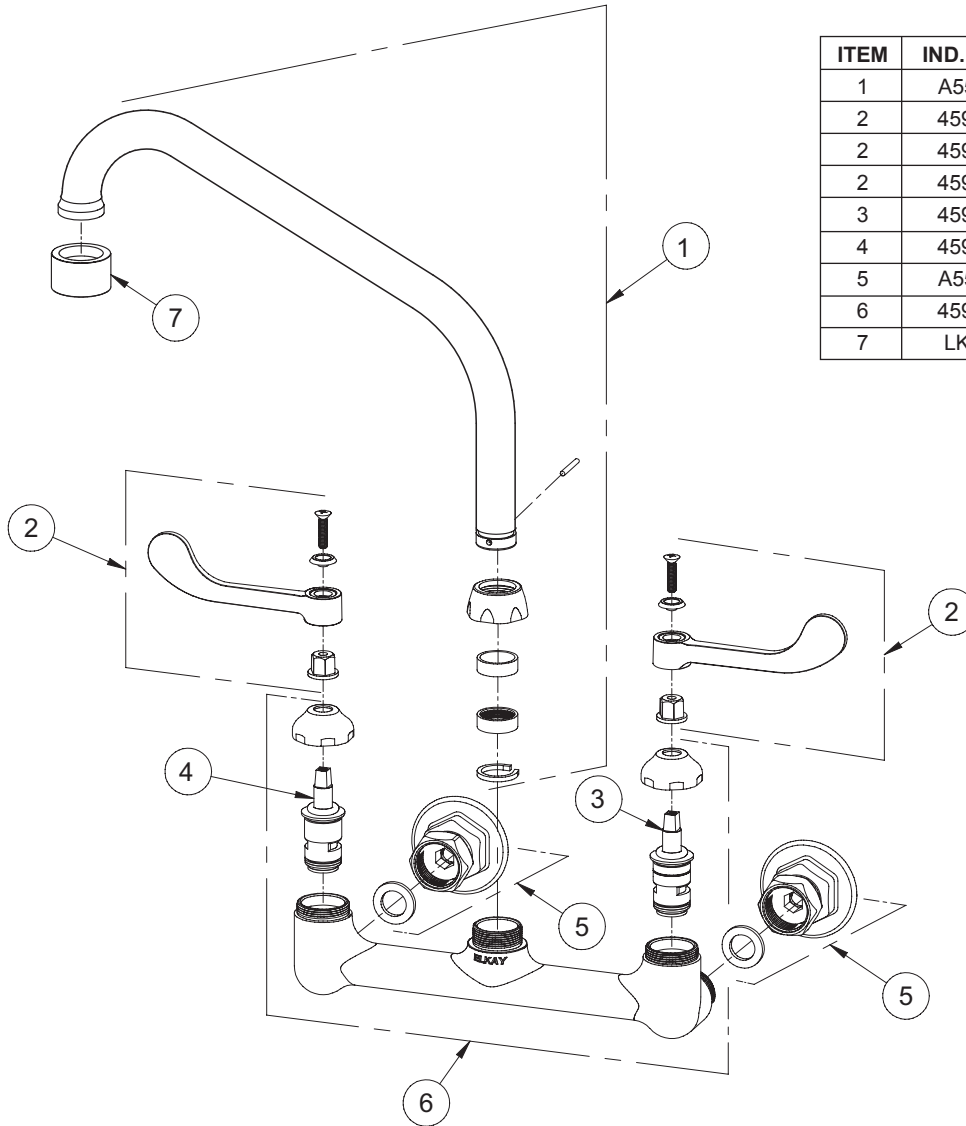
**Wall Mount 8" Center Commercial Faucet  
Models LK940HA10L2S, LK940HA10T4S, LK940HA10T6S**



<b>Job Name:</b>	<b>Item #:</b>
<b>Notes:</b>	
<b>Architect/Engineer Approval:</b>	<b>Date:</b>

SEE OTHER SIDE FOR REPLACEMENT PARTS

### Wall Mount 8" Center Commercial Faucet Models LK940HA10L2S, LK940HA10T4S, LK940HA10T6S



ITEM	IND. PART	DESCRIPTION
1	A55445	Spout
2	45918C	Handle, 2"
2	45919C	Handle, 4"
2	45920C	Handle, 6"
3	45923C	Right Cold Cartridge
4	45924C	Left Hot Cartridge
5	A55414	1/2" Offset Shutoff
6	45912C	Body
7	LK734	2.2 GPM VR Aerator