

### FEATURES

#### Model LK945AT12L2T

- Two hole dual handle wall mount faucet
- Quarter turn ceramic disc cartridge
- 2" offset adjustable inlet installation  
3-3/8" to 8-1/2"
- Solid brass construction
- Chrome finish
- 2.2 GPM VR aerator with 1.5 and .5 GPM inserts
- Includes spout swing restriction pin

#### Model LK945AT12T4T

- Same as LK945AT12L2T except with 4" wrist blades handles

#### Model LK945AT12T6T

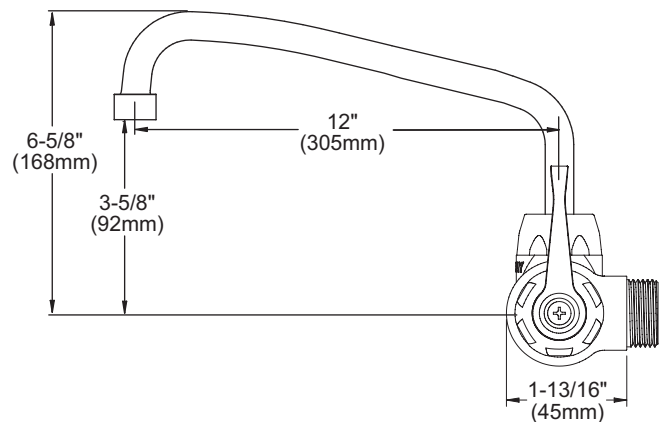
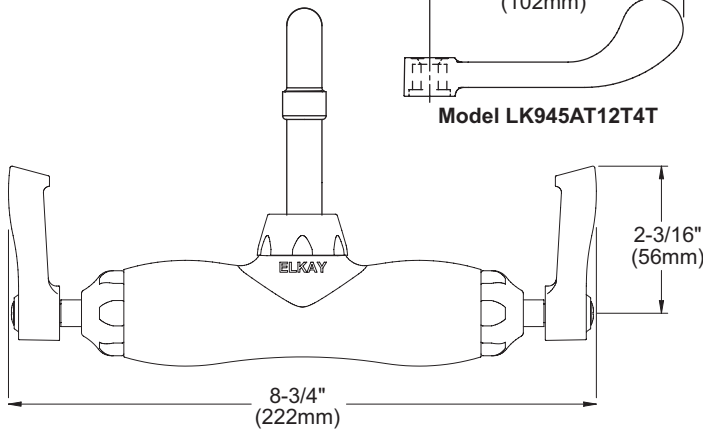
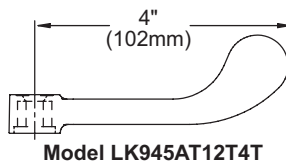
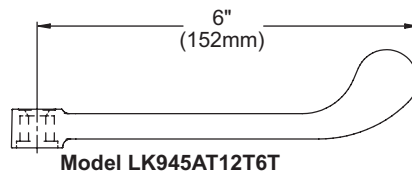
- Same as LK945AT12L2T except with 6" wrist blades handles

## Wall Mount 8" Center Commercial Faucet Models LK945AT12L2T, LK945AT12T4T, LK945AT12T6T



### COMPLIES WITH:

- ASME/ANSI A112.18.1
- CSA B125-01
- NSF/ANSI 61 Annex G
- ADA
- UPC/CUPC
- IAPMO Listed
- Certified AB1953



Model LK945AT12L2T  
FRONT VIEW

SIDE VIEW

Job Name:

Item #:

Notes:

Architect/Engineer Approval:

Date:

SEE OTHER SIDE FOR REPLACEMENT PARTS

**Wall Mount 8" Center Commercial Faucet  
Models LK945AT12L2T, LK945AT12T4T, LK945AT12T6T**

ITEM	IND. PART	DESCRIPTION
1	A55399	Spout
2	45918C	Handle, 2"
2	45919C	Handle, 4"
2	45920C	Handle, 6"
3	45923C	Right Cold Cartridge
4	45924C	Left Hot Cartridge
5	A55413	2" Adjustable Inlet
6	45913C	Body
7	LK734	2.2 GPM VR Aerator

