

FEATURES

Model LK945TS08L2T

- Two hole dual handle wall mount faucet
- Quarter turn ceramic disc cartridge
- 2" offset adjustable inlet installation
3-3/8" to 8-1/2"
- Solid brass construction
- Chrome finish
- 2.2 GPM VR aerator with 1.5 and .5 GPM inserts
- Includes spout swing restriction pin

Model LK945TS08T4T

- Same as LK945TS08L2T except with 4" wrist blades handles

Model LK945TS08T6T

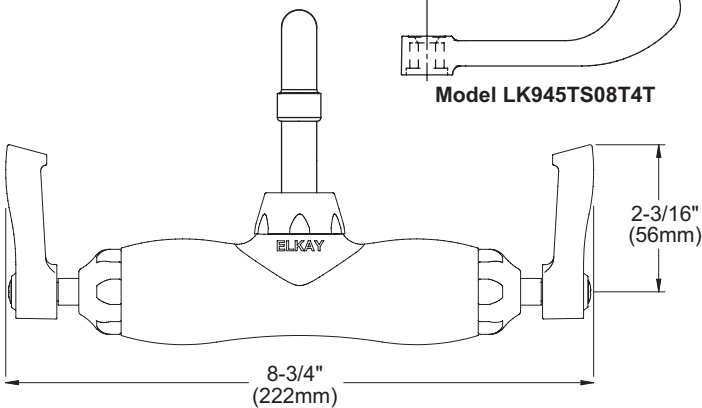
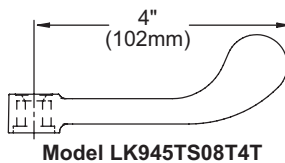
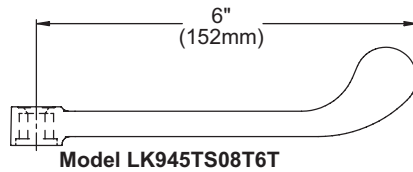
- Same as LK945TS08L2T except with 6" wrist blades handles

Wall Mount 8" Center Commercial Faucet Models LK945TS08L2T, LK945TS08T4T, LK945TS08T6T

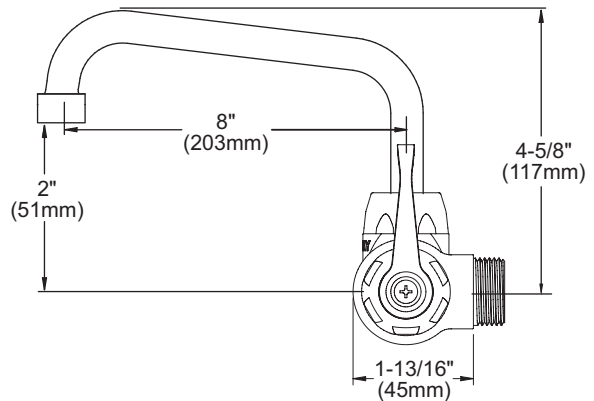


COMPLIES WITH:

- ASME/ANSI A112.18.1
- CSA B125-01
- NSF/ANSI 61 Annex G
- ADA
- UPC/CUPC
- IAPMO Listed
- Certified AB1953



Model LK945TS08L2T
FRONT VIEW



SIDE VIEW

Job Name:

Item #:

Notes:

Architect/Engineer Approval:

Date:

SEE OTHER SIDE FOR REPLACEMENT PARTS

**Wall Mount 8" Center Commercial Faucet
Models LK945TS08L2T, LK945TS08T4T, LK945TS08T6T**

| ITEM | IND. PART | DESCRIPTION |
|------|-----------|----------------------|
| 1 | A55408 | Spout |
| 2 | 45918C | Handle, 2" |
| 2 | 45919C | Handle, 4" |
| 2 | 45920C | Handle, 6" |
| 3 | 45923C | Right Cold Cartridge |
| 4 | 45924C | Left Hot Cartridge |
| 5 | A55413 | 2" Adjustable Inlet |
| 6 | 45913C | Body |
| 7 | LK734 | 2.2 GPM VR Aerator |

