

FEATURES**Model LKD208813C**

- Single hole top mount installation
 - 1-1/2" (38mm) faucet hole required
 - Maximum countertop thickness 1-1/8" (29mm)
- Dual handle faucet
- Rigid spout, overall height 12-1/2" (318mm)
- Removable cartridge
- Solid brass construction
- 3/8" (10mm) compression stainless steel flex hoses
- Highly polished, chrome plated finish
- Ship Wt. 5 lbs. (2.3Kg)
- Maximum flow rate
 - 2.5 GPM/9.5 L/min at 80 P.S.I.G.
 - 2.2 GPM/8.3 L/min at 60 P.S.I.G.

Model LKD20888C

- Same as LKD208813C except with overall spout height of 8" (203mm)

WARRANTY

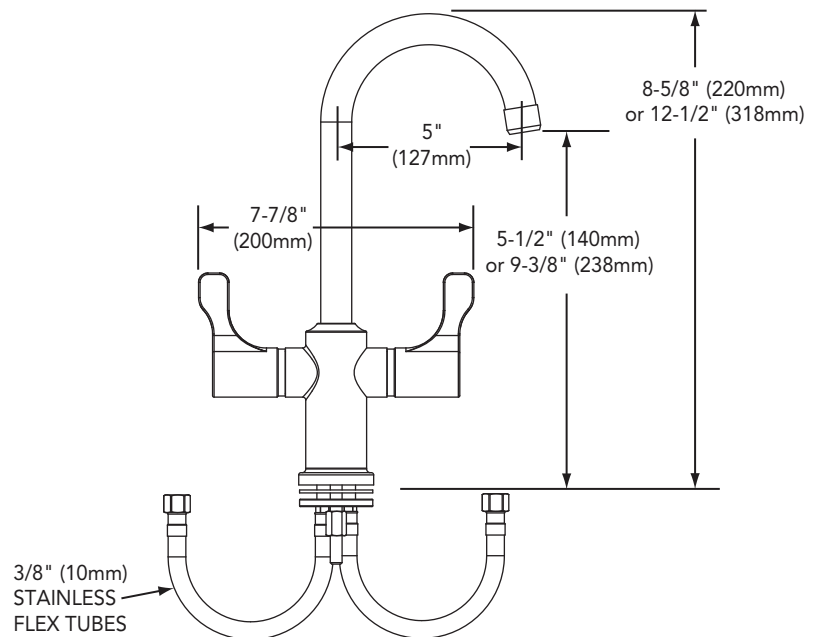
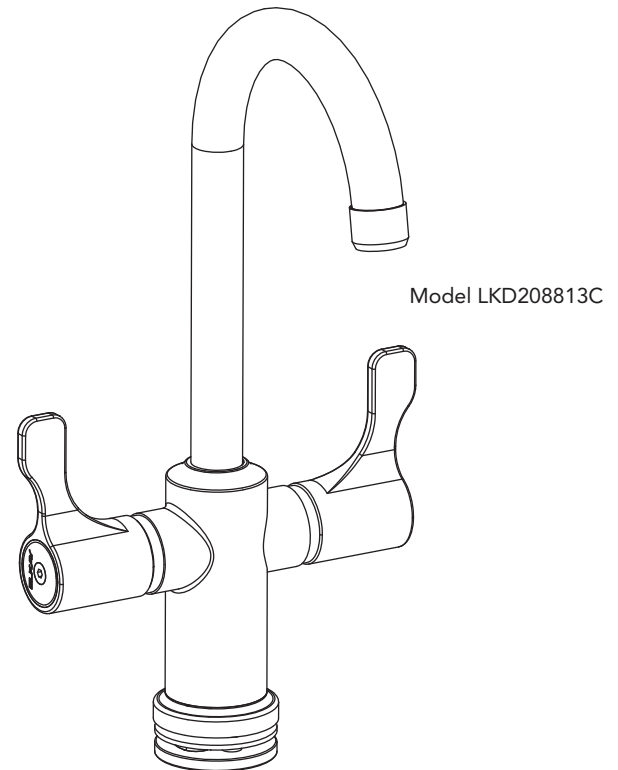
- Limited Lifetime

COMPLIES WITH:

- ADA
- ANSI/NSF61 - Certified
- ASME 112.18.1/CSA B125.1
- CA AB1953/VT S152



Dual Handle Hospitality Faucet Models LKD20888C and LKD208813C

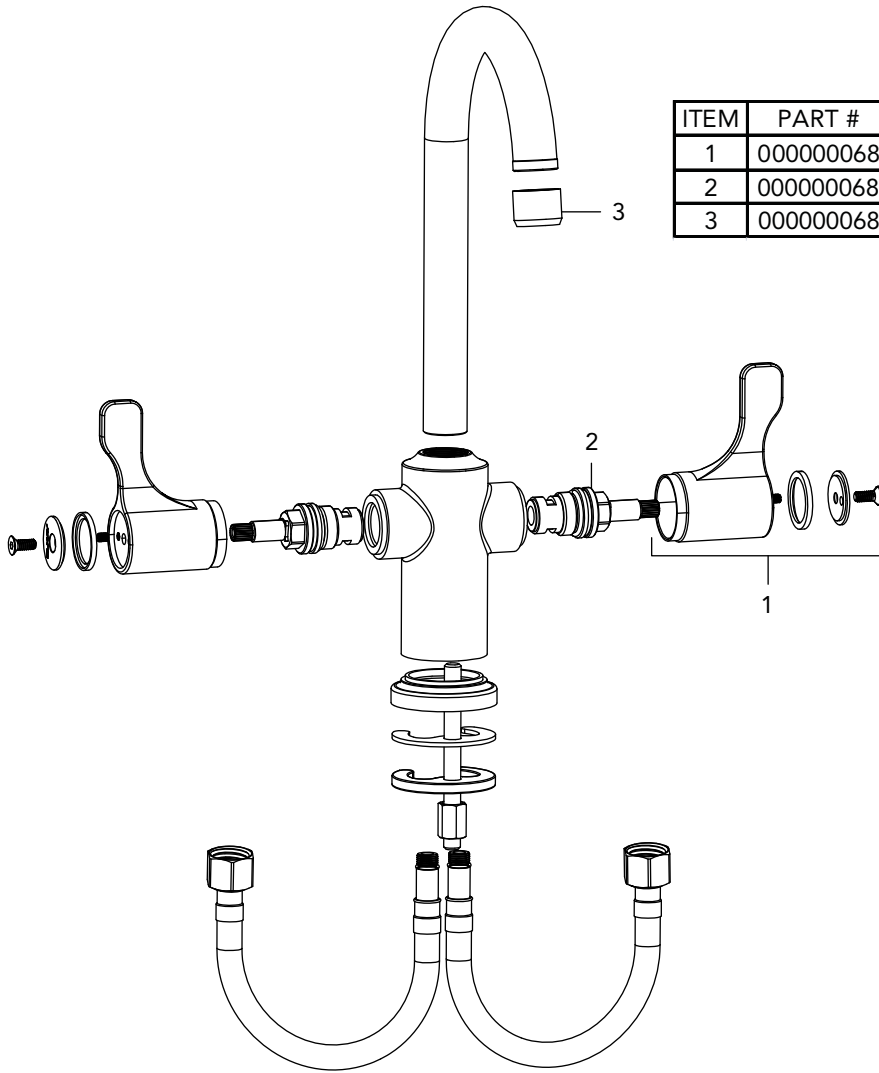


SEE OTHER SIDE FOR REPLACEMENT PARTS



REPLACEMENT PARTS

Dual Handle Hospitality Faucet
Models LKD20888C and LKD208813C



ITEM	PART #	DESCRIPTION
1	0000000680	2.6" Blade Handle
2	0000000682	Cartridges
3	0000000688	Aerator