

## Hi-Arc® Dual Handle Kitchen Faucet Models LKD2432C, LKD2432BHC, and LKD2433C

### FEATURES

#### Model LKD2432C

- Three hole, dual handle concealed mount kitchen faucet
  - Three 1-1/4" (32mm) diameter faucet holes required
  - Maximum counter top thickness is 1-1/4" (32mm)
- Multi swing spout with restricted flow aerator
- Highly polished, chrome plated finish
- Removable cartridge
- 1/2" (13mm) I.P. connections on 8" (203mm) centers
- Ship Wt. 5 lbs. (2.3Kg)
- Maximum flow rate
  - 2.5 GPM/9.5 L/min at 80 P.S.I.G.
  - 2.2 GPM/8.3 L/min at 60 P.S.I.G.

#### Model LKD2432BHC

- Same as LKD2432C except with 4" (102mm) blade handles
- Ship Wt. 5-1/2 lbs. (2.5Kg)

#### Model LKD2433C

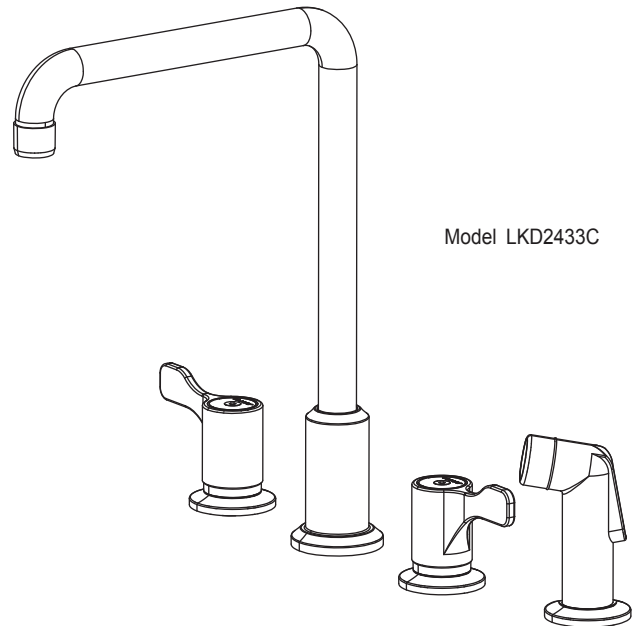
- Same as LKD2432C except with retractable spray and hose
- Four faucet holes required
- Ship Wt. 5-1/2 lbs. (2.5Kg)

### WARRANTY

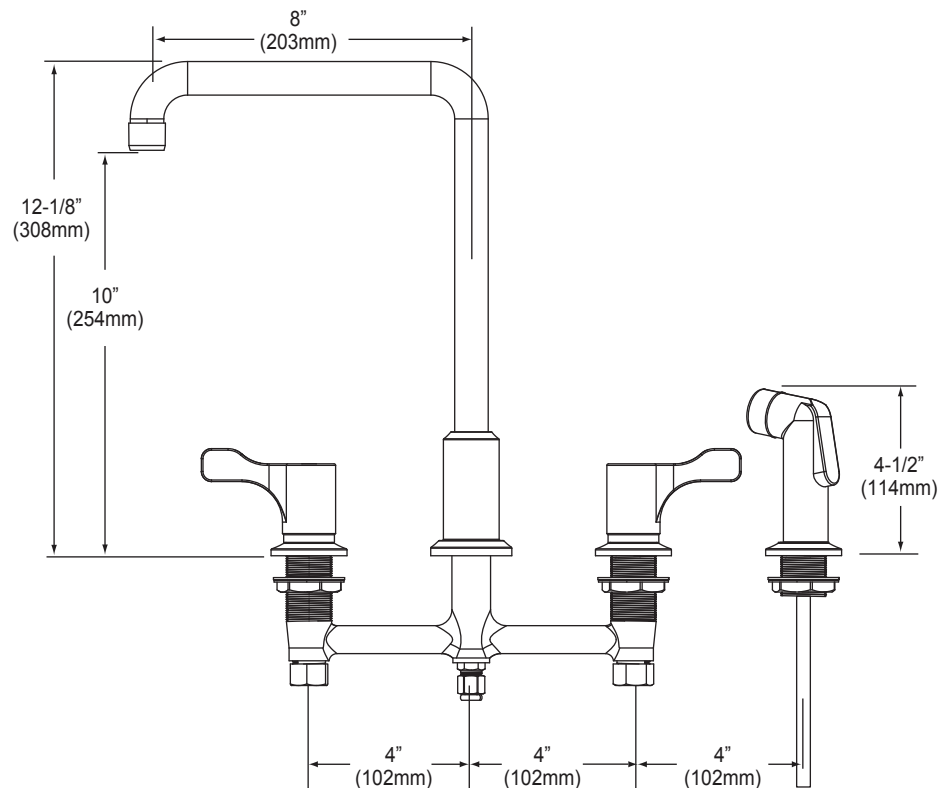
- Limited Lifetime

### COMPLIES WITH:

- ADA
- ANSI/NSF61 - Certified
- ASME 112.18.1/CSA B125-01
- CA AB1953/VT S152



Model LKD2433C



SEE OTHER SIDE FOR REPLACEMENT PARTS



# REPLACEMENT PARTS

Hi-Arc<sup>®</sup> Dual Handle Kitchen Faucet  
Models LKD2432C, LKD2432BHC, and LKD2433C

ITEM	PART #	DESCRIPTION
1	0000000680	2.6" Blade Handle
2	0000000682	Cartridges
3	0000000685	Multi Swing Spout Repair Kit
4	0000000688	Aerator
5	0000000689	Diverter Valve

