

**Hi-Arc® Dual Handle Kitchen Faucet  
Models LKDA2437C and LKD2437BHC****FEATURES****Model LKDA2437C**

- Three holes top mount installation
  - Three 1-1/4" (32mm) diameter faucet holes required
  - Maximum countertop thickness 1-1/4" (32mm)
- Tubular brass hi-arc multi swing spout with restricted flow aerator finished in flawless chrome plate
- 90° turn of the handle controls water from the drip-free off to full on.
- Requires 1/2" (13mm) I.P. connections on 8" (203mm) centers
- Removable ceramic disc cartridge
- Ship Wt. 4-1/2 lbs. (2Kg)
- Maximum flow rate
  - 2.5 GPM/9.5 L/min at 80 P.S.I.G.
  - 2.2 GPM/8.3 L/min at 60 P.S.I.G.

**Model LKD2437BHC**

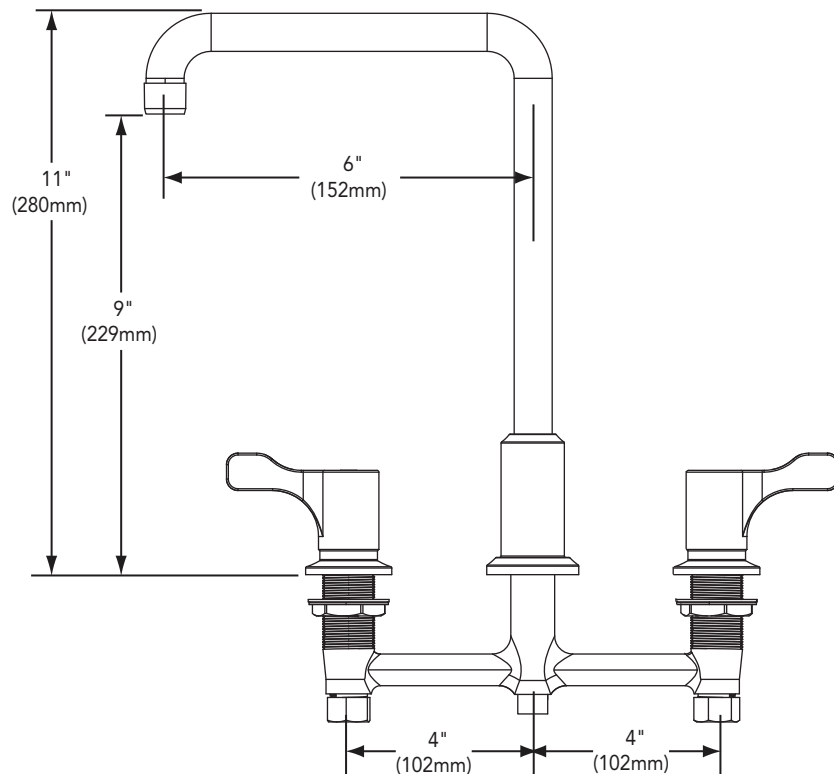
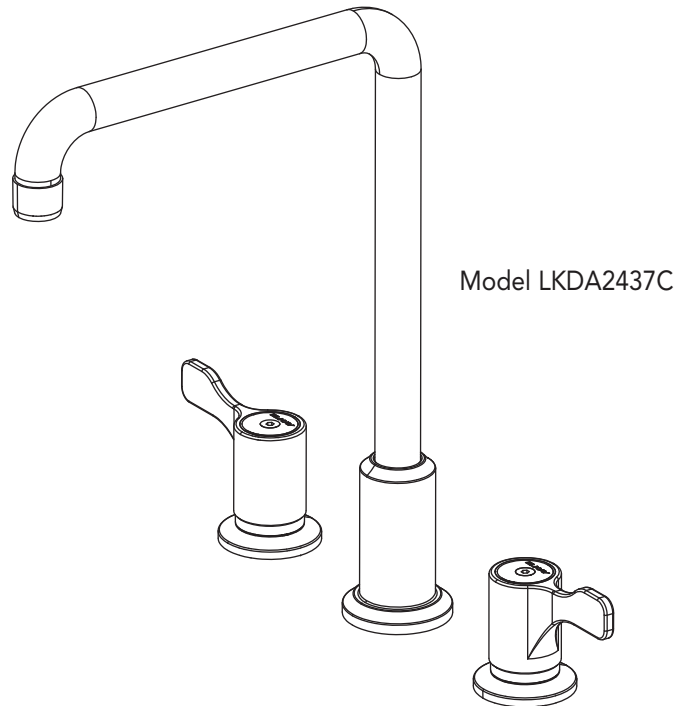
- Same as LKD2437C except with 4" (102mm) blade handles
- Ship Wt. 5.25 lbs. (2Kg)

**WARRANTY**

- Limited Lifetime

**COMPLIES WITH:**

- ADA
  - LKD2437BHC model only
- ANSI/NSF61 - Certified
- ASME A112.18.1/CSA B125-01
- CA AB1953/VT S152



SEE OTHER SIDE FOR REPLACEMENT PARTS



# REPLACEMENT PARTS

Hi-Arc® Dual Handle Kitchen Faucet  
Models LKDA2437C and LKD2437BHC

ITEM	PART #	DESCRIPTION
1	0000000680	2.6" Blade Handle
2	0000000682	Cartridges
3	0000000685	Multi Swing Spout Repair Kit
4	0000000688	Aerator

