

**PRODUCT SPECIFICATIONS**

Elkay 4" Centerset with Exposed Deck Lavatory Faucet Integral Spout Single Control 7" Wristblade Handle Chrome. Faucet has a flow rate of .5 GPM, and is made of Chrome-plated Brass material, with a Ceramic Disc valve. Faucet requires 2 faucet holes.

|                              |                          |
|------------------------------|--------------------------|
| <b>Mounting Type:</b>        | Deck Mount               |
| <b>Special Features:</b>     | Solid Brass Construction |
| <b>Finish:</b>               | Chrome (CR)              |
| <b>Handle Type:</b>          | 7" Wristblade Handle     |
| <b>Deck Clearance:</b>       | 2"                       |
| <b>Spout Reach:</b>          | 4-3/4"                   |
| <b>Spout Height:</b>         | 6-3/8"                   |
| <b>Hole Drillings:</b>       | 2                        |
| <b>Material:</b>             | Chrome-plated Brass      |
| <b>Valve Type:</b>           | Ceramic Disc             |
| <b>Valve Connection:</b>     | 1/2"-14 NPSM             |
| <b>Flow Rate:</b>            | .5 GPM                   |
| <b>Faucet Hole Spread:</b>   | 4                        |
| <b>Spout Swing Rotation:</b> | 0°                       |
| <b>Spout Type:</b>           | Fixed Spout              |



Chrome (CR)



AMERICAN PRIDE. A LIFETIME TRADITION.  
Like your family, the Elkay family has values and traditions that endure. For almost a century, Elkay has been a family-owned and operated company, providing thousands of jobs that support our families and communities.

**Product Compliance:** ADA & ICC A117.1  
ASME A112.18.1/CSA B125.1  
CEC  
NSF 372 (lead free)  
NSF 61

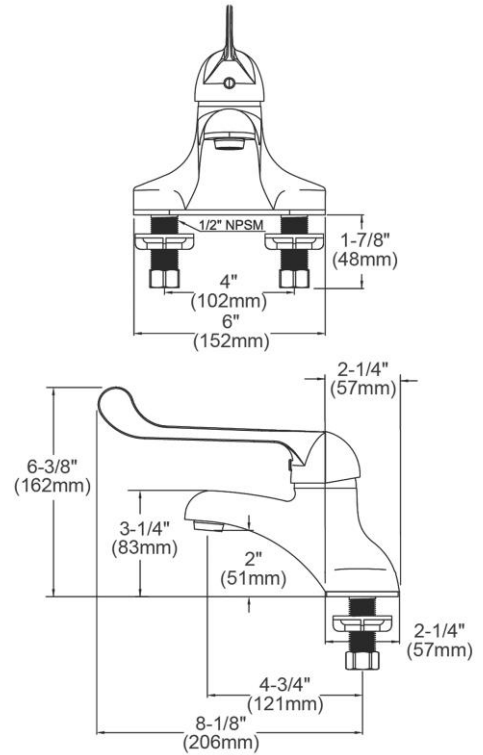


Complies with ADA & ICC A117.1 accessibility requirements when installed according to the requirements outlined in these standards.

[Clean and Care Manual \(PDF\)](#)  
[Installation Instructions \(PDF\)](#)  
[Warranty \(PDF\)](#)

PART: \_\_\_\_\_ QTY: \_\_\_\_\_  
PROJECT: \_\_\_\_\_  
CONTACT: \_\_\_\_\_  
DATE: \_\_\_\_\_  
NOTES: \_\_\_\_\_  
APPROVAL: \_\_\_\_\_

*In keeping with our policy of continuing product improvement, Elkay reserves the right to change product specifications without notice. Please visit [elkay.com](http://elkay.com) for the most current version of Elkay product specification sheets. This specification describes an Elkay product with design, quality, and functional benefits to the user. When making a comparison of other producers' offerings, be certain these features are not overlooked.*



*In keeping with our policy of continuing product improvement, Elkay reserves the right to change product specifications without notice. Please visit [elkay.com](http://elkay.com) for the most current version of Elkay product specification sheets. This specification describes an Elkay product with design, quality, and functional benefits to the user. When making a comparison of other producers' offerings, be certain these features are not overlooked.*