

PRODUCT SPECIFICATIONS

Elkay Explore Single Hole Bar Faucet with Pull-out Spray Lever Handle. Faucet has a flow rate of 1.75 GPM, and is made of Brass material, with a Ceramic Disc valve. Faucet requires 1 faucet holes.

Mounting Type:	Deck Mount
Special Features:	Low Flow Solid Brass Construction
Spray Type:	Pull Out
Finish:	Brushed Nickel (NK), Chrome (CR), Oil-rubbed Bronze (RB), Polished Nickel (PN)
Handle Type:	Lever Handle
Deck Clearance:	5-1/4"
Spout Reach:	8-3/8"
Spout Height:	10-7/16"
Hole Drillings:	1
Material:	Brass
Valve Type:	Ceramic Disc
Valve Connection:	3/8" Female Compression Hose Assembly
Flow Rate:	1.75 GPM
Faucet Hole Size (min):	1-3/8"
Countertop Thickness:	3
Spout Swing Rotation:	110°
Spout Type:	Pull-out Spray
Spray Functions:	Chrome Plated Brass Hand Spray Hose, Spray, Aerated



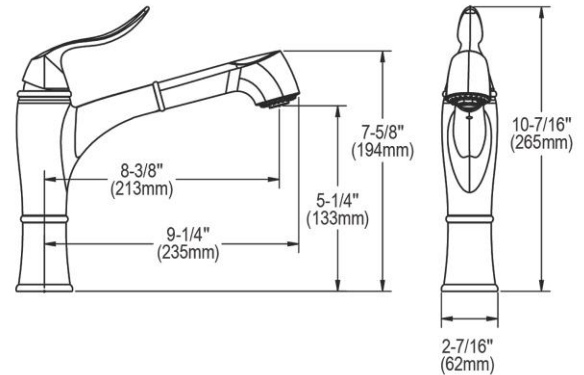
AMERICAN PRIDE. A LIFETIME TRADITION.
Like your family, the Elkay family has values and traditions that endure. For almost a century, Elkay has been a family-owned and operated company, providing thousands of jobs that support our families and communities.

Product Compliance: ADA & ICC A117.1
ASME A112.18.1/CSA B125.1
CEC
NSF 372 (lead free)
NSF 61



Complies with ADA & ICC A117.1 accessibility requirements when installed according to the requirements outlined in these standards.


[Clean and Care Manual \(PDF\)](#)
[Installation Instructions \(PDF\) - P99190_LKEC1042_LKLFEC1042_install](#)
[Warranty \(PDF\)](#)



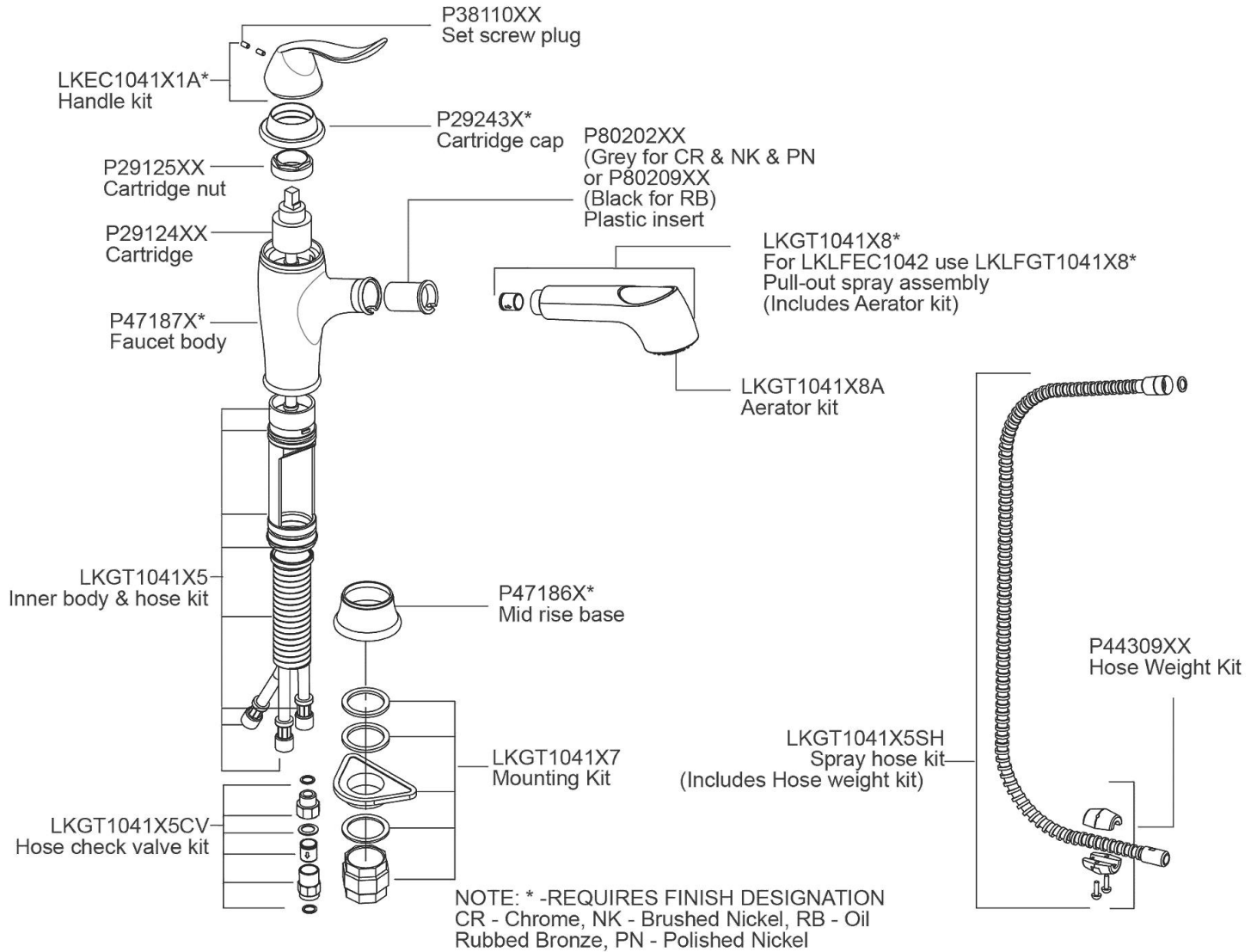
PART: _____ QTY: _____
PROJECT: _____
CONTACT: _____
DATE: _____
NOTES: _____
APPROVAL: _____

In keeping with our policy of continuing product improvement, Elkay reserves the right to change product specifications without notice. Please visit elkay.com for the most current version of Elkay product specification sheets. This specification describes an Elkay product with design, quality, and functional benefits to the user. When making a comparison of other producers' offerings, be certain these features are not overlooked.

Optional Accessories

LKEC1054	Elkay Explore 2" x 4-1/2" x 3-7/8" Soap / Lotion Dispenser Spec Sheet (PDF)	
--------------------------	--	---

In keeping with our policy of continuing product improvement, Elkay reserves the right to change product specifications without notice. Please visit elkay.com for the most current version of Elkay product specification sheets. This specification describes an Elkay product with design, quality, and functional benefits to the user. When making a comparison of other producers' offerings, be certain these features are not overlooked.



In keeping with our policy of continuing product improvement, Elkay reserves the right to change product specifications without notice. Please visit elkay.com for the most current version of Elkay product specification sheets. This specification describes an Elkay product with design, quality, and functional benefits to the user. When making a comparison of other producers' offerings, be certain these features are not overlooked.