

PRODUCT SPECIFICATIONS

Elkay Explore Three Hole Bridge Faucet with Pull-down Spray and Lever Handles. Faucet has a flow rate of 1.5 GPM, and is made of Brass material, with a Ceramic Disc valve. Faucet requires 3 faucet holes.

Mounting Type:	Deck Mount
Special Features:	Low Flow Solid Brass Waterway Construction
Spray Type:	Pull Down
Finish:	Antique Steel (AS), Chrome (CR), Lustrous Steel (LS)
Handle Type:	Lever Handle
Deck Clearance:	8-5/8"
Spout Reach:	9-1/4"
Spout Height:	17-1/8"
Hole Drillings:	3
Material:	Brass
Valve Type:	Ceramic Disc
Valve Connection:	1/2"-14 NPSM
Flow Rate:	1.5 GPM
Faucet Hole Size (min):	1-3/8"
Countertop Thickness:	2-1/2
Spout Swing Rotation:	360°
Spout Type:	Pull-down Spray
Spray Functions:	Aerated, Pause, Spray

Special Note: 1.5 GPM flow regulator installed (2.2 GPM flow regulator also included with faucet)



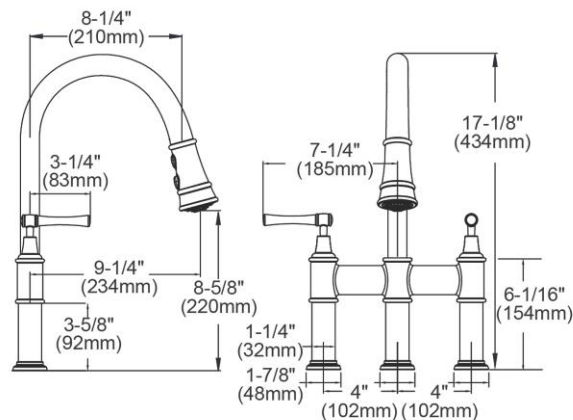
AMERICAN PRIDE. A LIFETIME TRADITION.
Like your family, the Elkay family has values and traditions that endure. For almost a century, Elkay has been a family-owned and operated company, providing thousands of jobs that support our families and communities.

Product Compliance: ADA & ICC A117.1
ASME A112.18.1/CSA B125.1
CEC
NSF 372 (lead free)
NSF 61



Complies with ADA & ICC A117.1 accessibility requirements when installed according to the requirements outlined in these standards.

[Clean and Care Manual \(PDF\)](#)
[Installation Instructions \(PDF\) - LKEC2037 - Install Sheet](#)
[Warranty \(PDF\)](#)



PART: _____ QTY: _____

PROJECT: _____


CONTACT: _____

DATE: _____

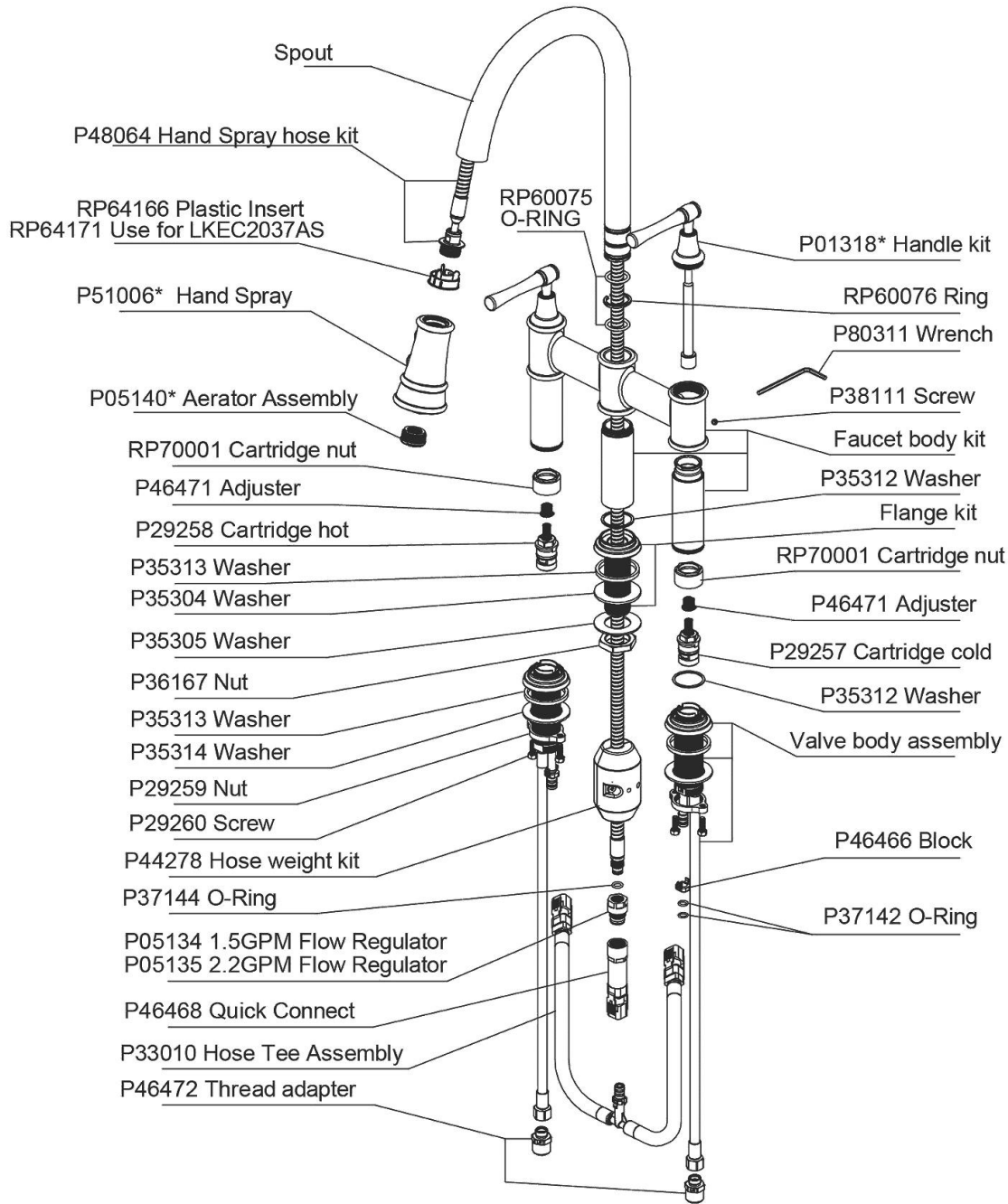
NOTES: _____

APPROVAL: _____

In keeping with our policy of continuing product improvement, Elkay reserves the right to change product specifications without notice. Please visit elkay.com for the most current version of Elkay product specification sheets. This specification describes an Elkay product with design, quality, and functional benefits to the user. When making a comparison of other producers' offerings, be certain these features are not overlooked.

Optional Accessories		
LK330	Elkay 2-1/8" x 5-1/16" x 3-1/2" Soap / Lotion Dispenser Spec Sheet (PDF)	

In keeping with our policy of continuing product improvement, Elkay reserves the right to change product specifications without notice. Please visit elkay.com for the most current version of Elkay product specification sheets. This specification describes an Elkay product with design, quality, and functional benefits to the user. When making a comparison of other producers' offerings, be certain these features are not overlooked.



In keeping with our policy of continuing product improvement, Elkay reserves the right to change product specifications without notice. Please visit elkay.com for the most current version of Elkay product specification sheets. This specification describes an Elkay product with design, quality, and functional benefits to the user. When making a comparison of other producers' offerings, be certain these features are not overlooked.