

**PRODUCT SPECIFICATIONS**

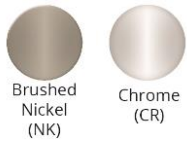
Elkay Gourmet Single Hole Bar Faucet Pull-out Spray and Lever Handle. Faucet has a flow rate of 1.75 GPM, and is made of Brass material, with a Ceramic Disc valve. Faucet requires 1 faucet holes.

<b>Mounting Type:</b>	Deck Mount
<b>Special Features:</b>	Low Flow Solid Brass Construction
<b>Spray Type:</b>	Pull Out
<b>Finish:</b>	Brushed Nickel (NK), Chrome (CR), Oil-rubbed Bronze (RB)
<b>Handle Type:</b>	Lever Handle
<b>Deck Clearance:</b>	5"
<b>Spout Reach:</b>	8-3/4"
<b>Spout Height:</b>	7-3/8"
<b>Hole Drillings:</b>	1
<b>Material:</b>	Brass
<b>Valve Type:</b>	Ceramic Disc
<b>Valve Connection:</b>	3/8" Female Compression Hose Assembly
<b>Flow Rate:</b>	1.75 GPM
<b>Faucet Hole Size (min):</b>	1-3/8"
<b>Countertop Thickness:</b>	2-1/2"
<b>Spout Swing Rotation:</b>	110°
<b>Spout Type:</b>	Pull-out Spray
<b>Spray Functions:</b>	Aerated, Spray



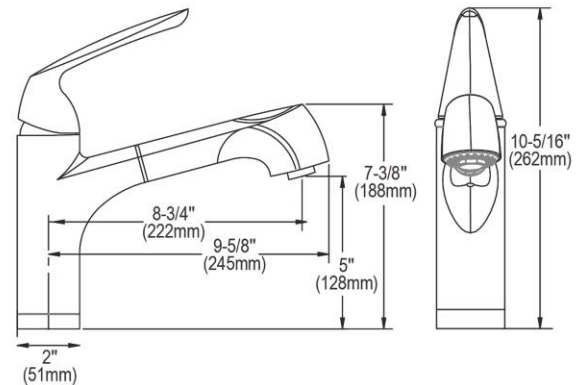
AMERICAN PRIDE. A LIFETIME TRADITION.  
Like your family, the Elkay family has values and traditions that endure. For almost a century, Elkay has been a family-owned and operated company, providing thousands of jobs that support our families and communities.

**Product Compliance:** ADA & ICC A117.1  
ASME A112.18.1/CSA B125.1  
CEC  
NSF 372 (lead free)  
NSF 61



Complies with ADA & ICC A117.1 accessibility requirements when installed according to the requirements outlined in these standards.


[Clean and Care Manual \(PDF\)](#)  
[Installation Instructions \(PDF\) - P99186\\_LKLFGT1042\\_IM](#)  
[Warranty \(PDF\)](#)



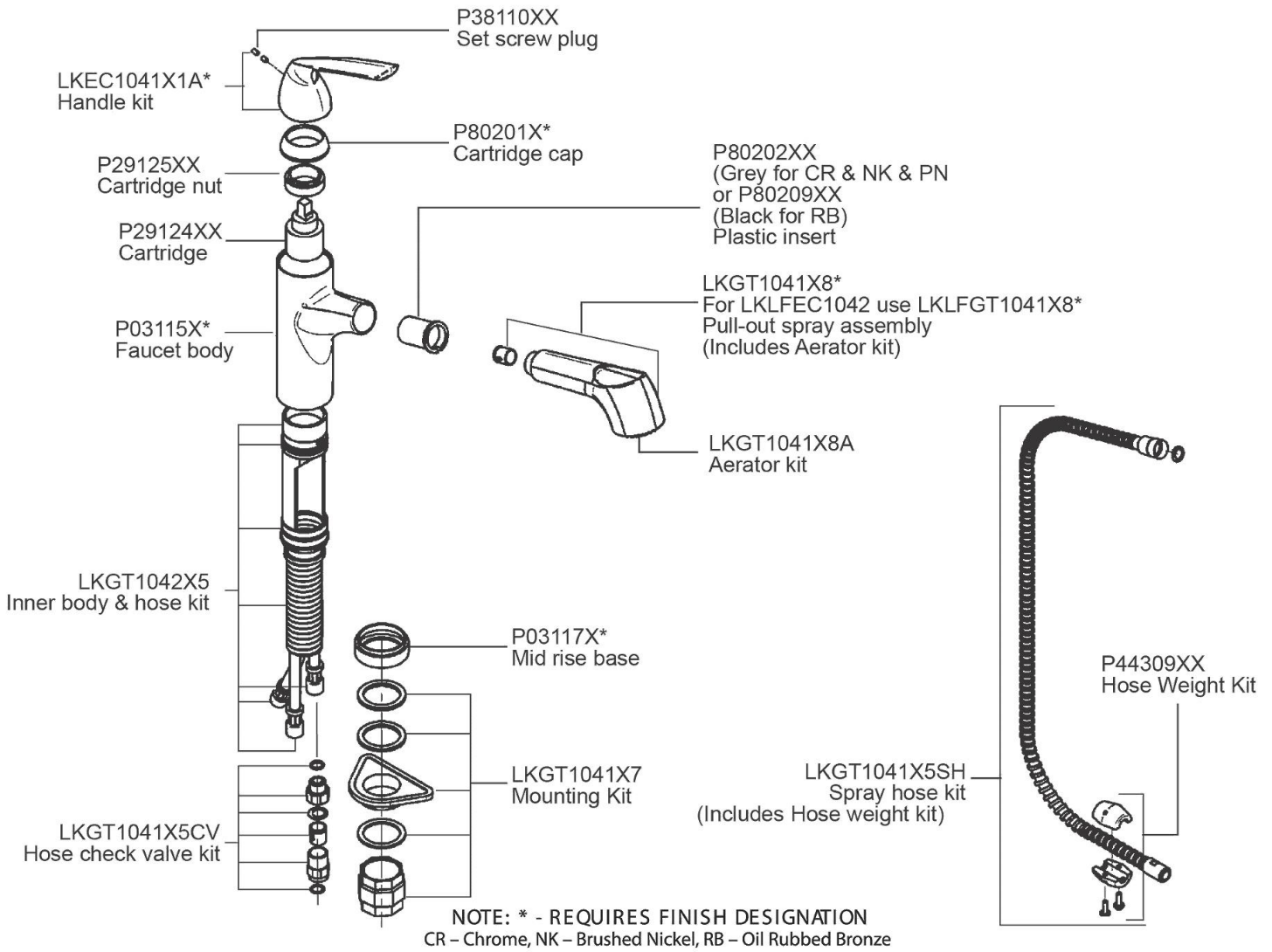
PART: \_\_\_\_\_ QTY: \_\_\_\_\_  
PROJECT: \_\_\_\_\_  
CONTACT: \_\_\_\_\_  
DATE: \_\_\_\_\_  
NOTES: \_\_\_\_\_  
APPROVAL: \_\_\_\_\_

*In keeping with our policy of continuing product improvement, Elkay reserves the right to change product specifications without notice. Please visit [elkay.com](http://elkay.com) for the most current version of Elkay product specification sheets. This specification describes an Elkay product with design, quality, and functional benefits to the user. When making a comparison of other producers' offerings, be certain these features are not overlooked.*

Optional Accessories

<a href="#">LKGT1054</a>	Elkay Gourmet 2" x 4-5/8" x 3-5/8" Soap / Lotion Dispenser <a href="#">Spec Sheet (PDF)</a>	
--------------------------	--	---

*In keeping with our policy of continuing product improvement, Elkay reserves the right to change product specifications without notice. Please visit [elkay.com](http://elkay.com) for the most current version of Elkay product specification sheets. This specification describes an Elkay product with design, quality, and functional benefits to the user. When making a comparison of other producers' offerings, be certain these features are not overlooked.*



elkayusa.com

NOTE: \* -REQUIRES FINISH DESIGNATION  
CR - Chrome, NK - Brushed Nickel, RB - Oil Rubbed Bronze, PN - Polished Nickel

In keeping with our policy of continuing product improvement, Elkay reserves the right to change product specifications without notice. Please visit [elkay.com](http://elkay.com) for the most current version of Elkay product specification sheets. This specification describes an Elkay product with design, quality, and functional benefits to the user. When making a comparison of other producers' offerings, be certain these features are not overlooked.