

### PRODUCT SPECIFICATIONS

Elkay Flexi-Guard Remote Push Button Bubbler. Overall dimensions are 5-1/16" x 1-15/16" x 4-1/2". Made of Chrome-plated Brass.

<b>Special Features:</b>	Flexi-Guard Bubbler, Solid Brass Construction
<b>Installation Type:</b>	Deck Mount
<b>Material:</b>	Chrome-plated Brass
<b>Finish:</b>	Chrome (CR)
<b>Dimensions:</b>	5-1/16" x 1-15/16" x 4-1/2"
<b>Shipping Weight:</b>	4 lbs.

- Flexi-Guard bubbler provides a flexible antimicrobial mouth guard to protect against injury and microorganisms.
- Remote push-button valve bubbler designed so that water never comes in contact with lead-containing materials.
- Includes tubing that allows the bubbler to be located approximately 20" from the push-button control.
- Push-button assembly can be attached to vertical and horizontal surfaces up to 1-3/8" (35 mm) in thickness.
- Built-in adjustable water volume control which regulates flow from 20 psi to 105 psi.
- Heavy chrome plated body with a 1/2" (13mm) straight pipe thread connection.
- Requires two faucet holes, one 1-1/2" (38 mm) and one 1-1/4" (32 mm).



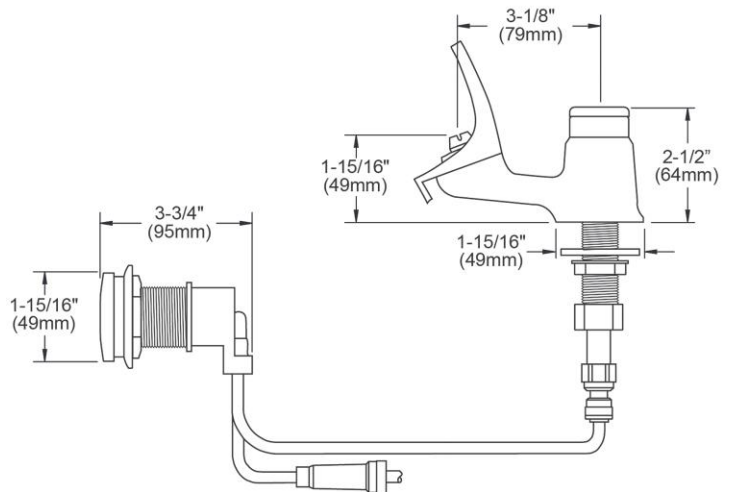
**AMERICAN PRIDE. A LIFETIME TRADITION.**  
Like your family, the Elkay family has values and traditions that endure. For almost a century, Elkay has been a family-owned and operated company, providing thousands of jobs that support our families and communities.



**Product Compliance:** ADA & ICC A117.1  
ASME A112.18.1/CSA B125.1  
NSF 372 (lead free)  
NSF 61



[Clean and Care Manual \(PDF\)](#)  
[Installation Instructions \(PDF\) - A55235](#)  
[Warranty \(PDF\)](#)



PART: \_\_\_\_\_ QTY: \_\_\_\_\_

PROJECT: \_\_\_\_\_

CONTACT: \_\_\_\_\_

DATE: \_\_\_\_\_

NOTES: \_\_\_\_\_

APPROVAL: \_\_\_\_\_

*In keeping with our policy of continuing product improvement, Elkay reserves the right to change product specifications without notice. Please visit [elkay.com](http://elkay.com) for the most current version of Elkay product specification sheets. This specification describes an Elkay product with design, quality, and functional benefits to the user. When making a comparison of other producers' offerings, be certain these features are not overlooked.*