

# ELKAY<sup>®</sup>

## SPECIFICATIONS

### Gourmet Celebrity Double Bowl Sink Model ECC3322

#### GENERAL

Good quality sink bowls seamlessly formed of #20 gauge, type 304 (18-8) nickel bearing stainless steel. Top Mount.

#### DESIGN FEATURES

Bowl Depth: 7-1/2" (191mm).

Coved Corners: 3" (76mm) vertical radius.

Bowl and Faucet Deck Recess: 1/2" (13mm) total recess below rim 1/8" (3mm) recess for styled faucet deck configuration and 3/8" (10mm) for the extra deep drop ledge.

Finish: Exposed surfaces are machine polished to a highlighted bright Celebrity finish.

Underside: Fully undercoated to dampen sound and reduce condensation.

#### OTHER

Drain Opening: 3-1/2"

#### OPTIONAL ACCESSORIES

Rinsing Baskets: LKWRB1316SS

Cutting Board: CB1516

Bottom Grid: LKWBG1415SS

Sink complies with ASME A112.19.3/ CSA B45.4

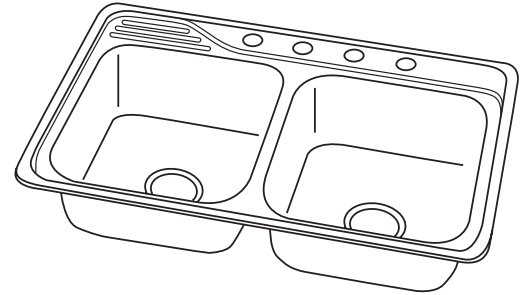
 Sinks are listed by IAPMO<sup>®</sup> as meeting the applicable requirements of the Uniform Plumbing Code<sup>®</sup>, International Plumbing Code<sup>®</sup>, and National Plumbing Code of Canada.

#### SINK DIMENSIONS (INCHES)\*

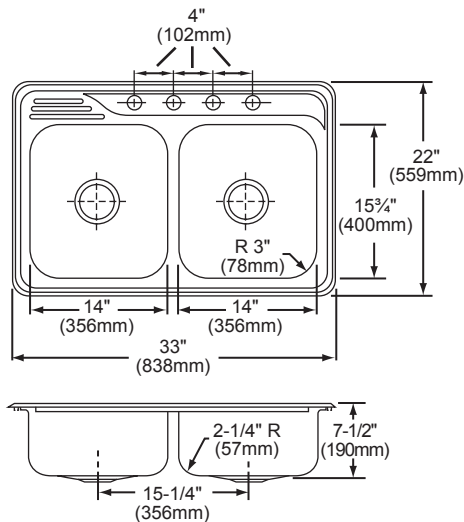
Model Number	Overall		Inside Each Bowl			Cutout in Countertop (1 1/2" Radius Corners)		No. of 1 1/2" Dia. Faucet Holes 4" Centers	Minimum Cabinet Size	Ship. Wt. Lbs.
	L	W	L	W	D	L	W			
ECC3322	33 (838mm)	22 (559mm)	14 (356mm)	15 3/4 (400mm)	7 1/2 (190mm)	32 3/4 (822mm)	21 3/4 (543mm)	1, 2, MR2, 3, 4 or 5	36 (914mm)	18

\* Length is left to right. Width is front to back.

\*\* Template 0000001189 - Available for download at [elkay.com](http://elkay.com), [elkaypro.com](http://elkaypro.com) or by contacting customer service.

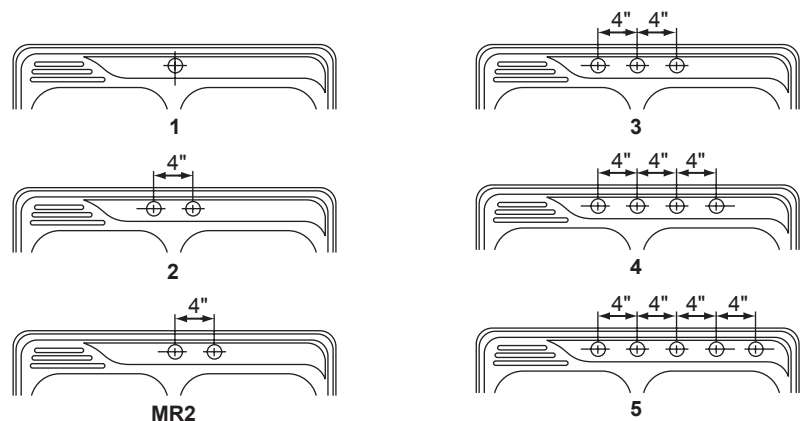


Model ECC33224



Model ECC33224 Illustrated

#### HOLE DRILLING CONFIGURATIONS



*In keeping with our policy of continuing product improvement, Elkay reserves the right to change product specifications without notice.*

*This specification describes an Elkay product with design, quality and functional benefits to the user. When making a comparison of other producers' offerings, be certain these features are not overlooked.*