

**Lavatory Sink, Wall Mounted  
With Sensor Faucet, AC/Battery Powered  
Models ELV2219SACC, ELV2219SACMC  
and ELV2219SACTMC**



**SPECIFICATIONS**

**GENERAL**

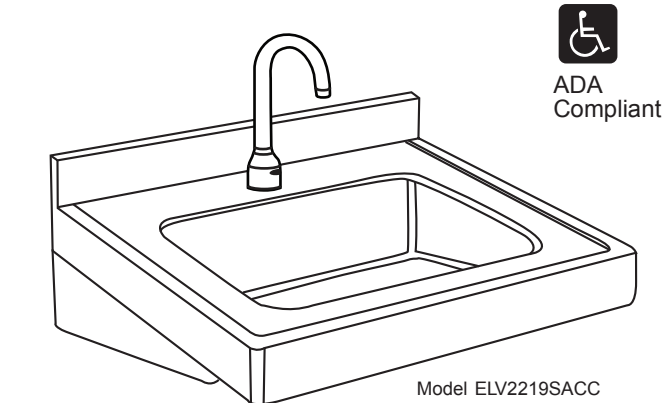
ELV2219 #18 gauge, type 304 (18-8) stainless steel lavatory with 5/32" (4mm) raised rim and 2-1/2" (64mm) high back-splash. Compartment has 1-3/4" (44mm) radius vertical and horizontal coved corners. 2-1/2" (64mm) apron at front and both sides. Exposed surfaces are hand blended to a uniform satin luster finish. Rear centered outlet. Drain opening 1-5/8" (41mm). Underside is sound deadened. Furnished with integral stainless steel support brackets and separate wall hanger. Meets ADA requirements.

(CHECK MODEL SPECIFIED)

MODEL	FAUCET	MIXING VALVE
<input type="checkbox"/> ELV2219SACC	LKB721C	NONE
<input type="checkbox"/> ELV2219SACMC	LKB721C	LK724
<input type="checkbox"/> ELV2219SACTMC	LKB721C	LK723

LKB721C Sensor-operated, deck-mounted, non-mixing gooseneck faucet with adjustable sensor eyes. A continuous beam is emitted from sensor and faucet is activated when hands are placed under the spout. Water will flow as long as hands remain within sensor range. When hands are removed, the water stops automatically based on shut-off delay setting. The sensor then resets for the next user.

Chrome-plated solid brass construction with 2.0gpm laminar flow control on spout end. Includes water-resistant sensor control module and power cables. Features dual power options: AC plug-in and battery holder with four AA batteries. Slow-closing piston operated solenoid valve, in-line filter with clean out trap and flexible supply hose. Control circuit is solid



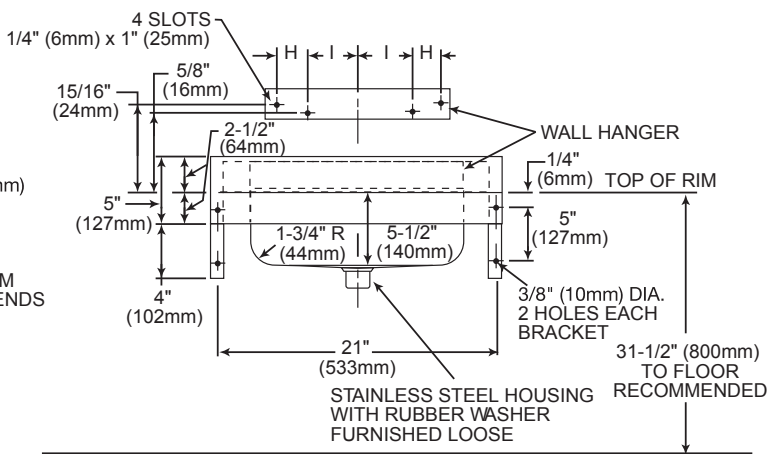
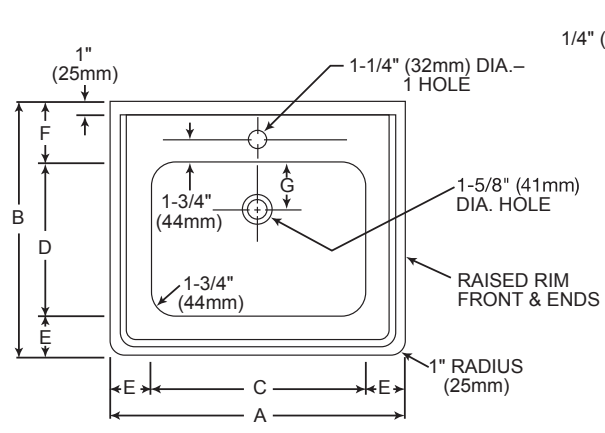
state, has adjustable sensor range of 7/8" (22mm) to 6-3/4" (171mm), shut-off delay preset at 1 second and field adjustable to 2 seconds (to prevent sink overflow).

LK723 Anti-scald thermostatic mixing valve with nickel-plated brass body 1/2" (13mm) SWT inlets and outlet connections, check valves on inlets and a mixed temperature range of 80°-120°F. Certified under ASSE1016.

LK724 Mechanical mixing valve with C.P. brass body, 3/8" (10mm) compression inlets and outlet connections, and check valves on inlets.

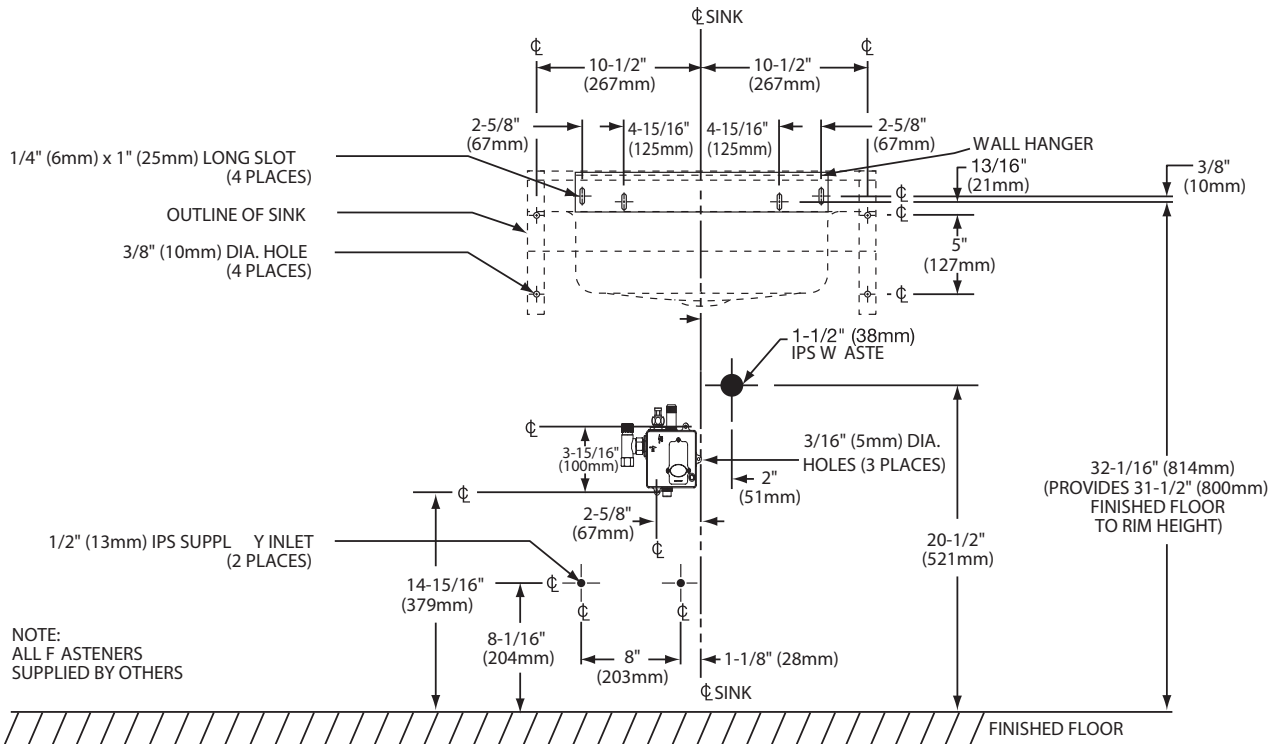
**DIMENSIONS**

Model Number	A		B		C		D		E		F		G		H		I	
	in.	mm	in.	mm	in.	mm	in.	mm	in.	mm	in.	mm	in.	mm	in.	mm	in.	mm
ELV2219	22	559	19	483	16	406	11 1/2	292	3	76	4 1/2	114	3 1/2	89	2 5/8	67	4 15/16	125

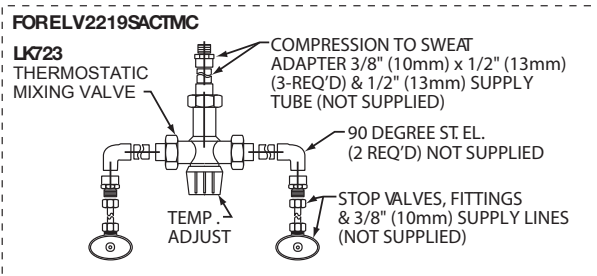
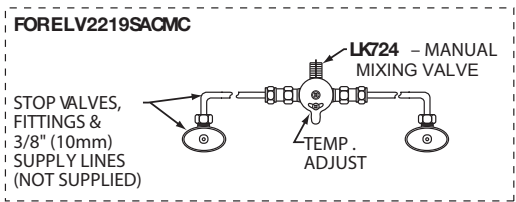


In keeping with our policy of continuing product improvement, Elkay reserves the right to change product specifications without notice.

**ROUGH-IN DIMENSIONS**



NOTE:  
 ALL F ASTENERS  
 SUPPLIED BY OTHERS



NOTE:  
 USE TEFLON TAPE FOR  
 ALL WATER CONNECTIONS.  
 DO NOT USE PIPE DOPE.

