

Lavatory Sink, Wall Mounted
Models ELV2219CS, ELV2219,
ELVWO2219CS and ELVWO2219



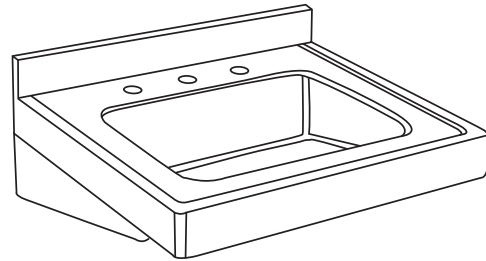
SPECIFICATIONS

GENERAL

#18 gauge, type 304 (18-8) stainless steel lavatory with 5/32" (4mm) raised rims and 2-1/2" (64mm) high backsplash. Compartment has 1-3/4" (44mm) radius vertical and horizontal covered corners. 2-1/2" (64mm) apron at front and both sides. Exposed surfaces are hand blended to a uniform satin lustrous finish. Rear centered outlet. Drain opening 1-5/8" (41mm). Underside is sound deadened. Furnished with integral stainless steel support brackets and separate wall hanger. Meets ADA requirements.



ADA Compliant



Model ELV2219

FOLLOWING MODELS DO NOT INCLUDE FAUCET AND FITTING:

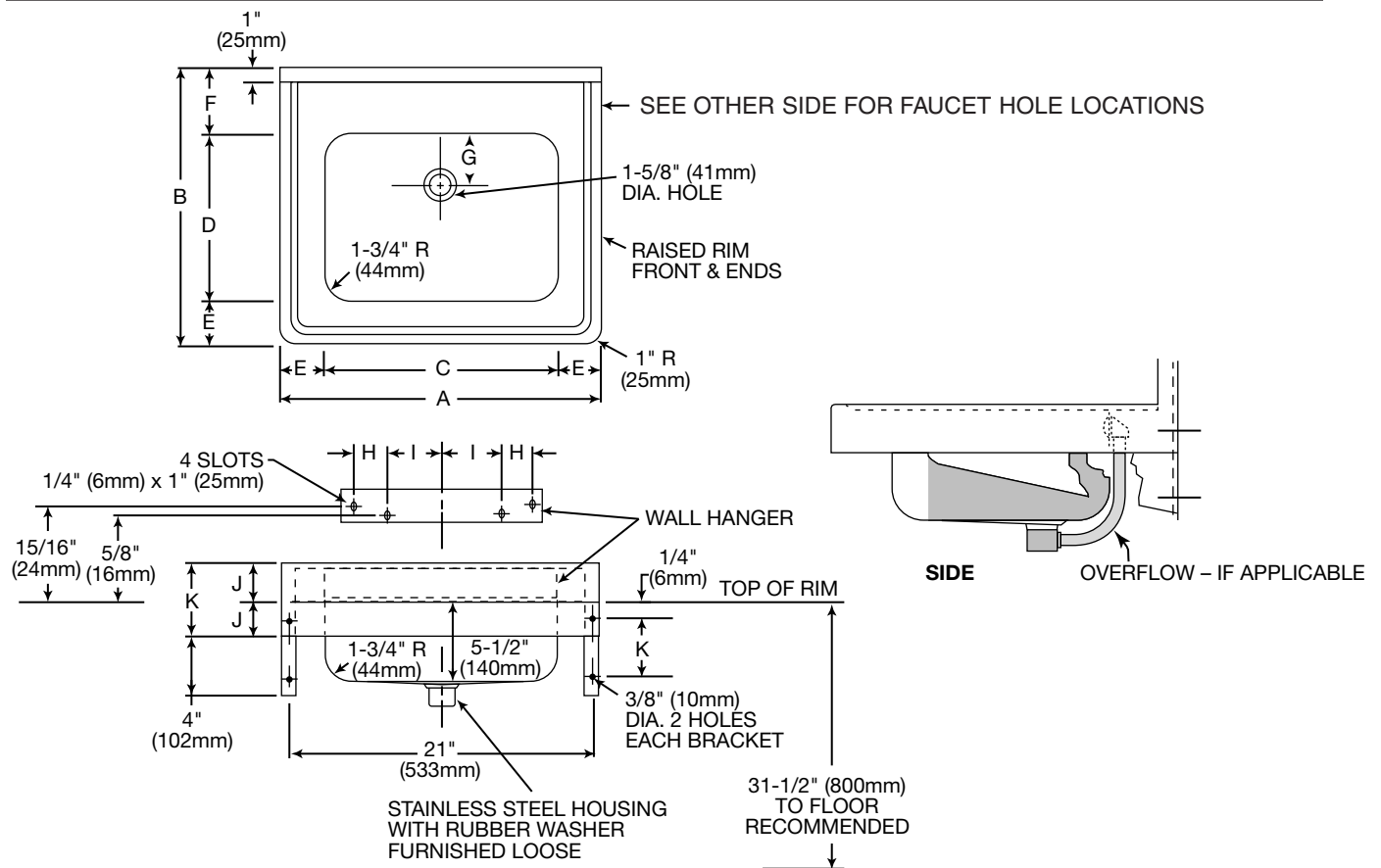
(CHECK MODEL SPECIFIED)

See other side for faucet hole locations

- ELV2219
- ELV2219CS
- ELVWO2219 (With connected overflow)
- ELVWO2219CS (With connected overflow)

DIMENSIONS

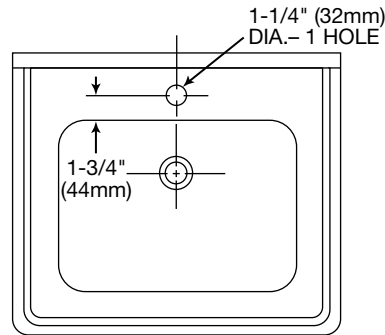
Model Number	A		B		C		D		E		F		G		H		I		J		K	
	in.	mm	in.	mm	in.	mm	in.	mm	in.	mm	in.	mm	in.	mm	in.	mm	in.	mm	in.	mm	in.	mm
ELV2219	22	559	19	483	16	406	11 1/2	292	3	76	4 1/2	114	3 1/2	89	2 5/8	67	4 15/16	125	2 1/2	64	5	127
ELVWO2219	22	559	19	483	16	406	11 1/2	292	3	76	4 1/2	114	3 1/2	89	2 5/8	67	4 15/16	125	2 1/2	64	5	127



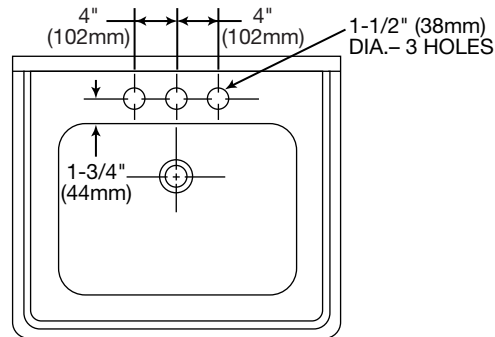
In keeping with our policy of continuing product improvement, Elkay reserves the right to change product specifications without notice.

SPECIFICATIONS

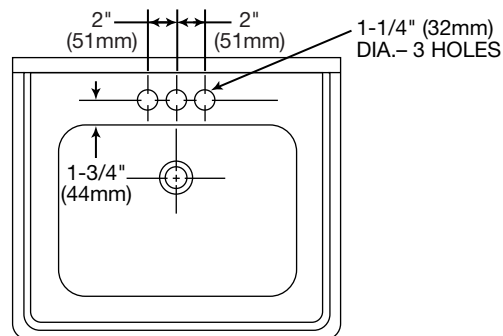
HOLE DRILLING CONFIGURATIONS



Models ELV22191
ELVWO22191



Models ELV22193
ELVWO22193



Models ELV2219CS3
ELVWO2219CS3