

# ELKAY<sup>®</sup>

## SPECIFICATIONS

Wheelchair Lavatory  
Wall Mounted  
Models WCL1923OSDC, WCL1923OSD,  
WCLW01923OSDC and WCLW01923OSD

### GENERAL

#18 gauge, type 304 (18-8), stainless steel wheelchair lavatory with 5/32" (4mm) raised rim. Compartment has 1-3/4" (44mm) radius vertical and horizontal coved corners. 2-1/2" (64mm) apron front and both sides. Exposed surfaces are hand blended to a uniform lustrous satin finish. Unexposed underside is fully undercoated to prevent condensation and dampen sound. Furnished with separate wall hanger, integral stainless steel support brackets and grid strainer with elbow and offset tailpiece. Meets ADA requirements.

(CHECK MODEL SPECIFIED)

- WCL1923OSDC
- WCLW01923OSDC (WITH CONNECTED OVERFLOW)

### FURNISHED COMPLETE WITH:

**SUPPLY:** LK232SBH5 chrome plated restricted swing goose-neck spout faucet with aerator and 5" wrist blade handles.

**DRAIN:** LKAD174 Chrome plated perforated strainer grid with cast brass elbow and 1-1/4" offset tailpiece.

### FOLLOWING MODELS DO NOT INCLUDE FAUCET (INCLUDES DRAIN):

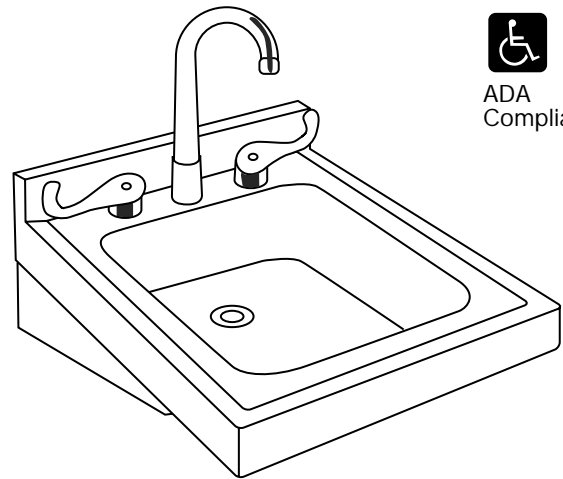
(CHECK MODEL SPECIFIED)

See other side for standard faucet hole drilling configurations.

- WCL1923OSD
- WCLW01923OSD (WITH CONNECTED OVERFLOW)

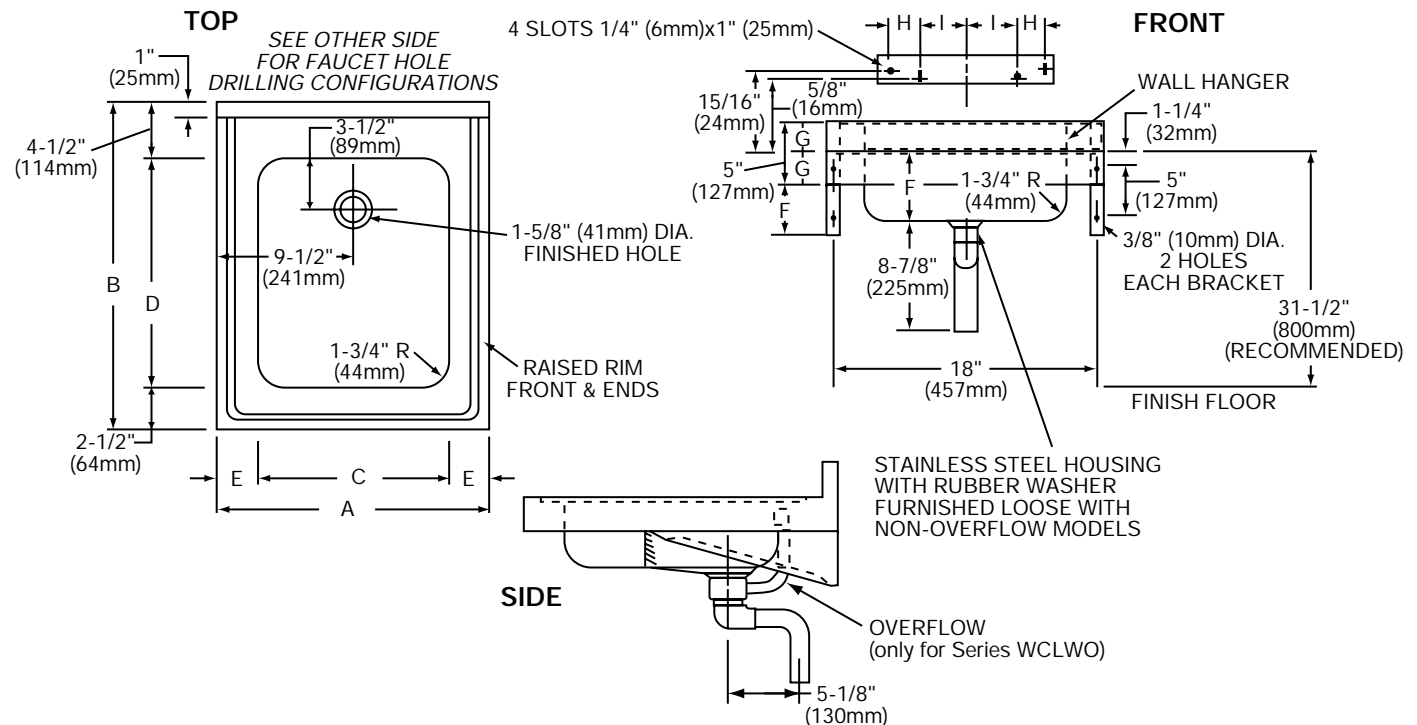
### DIMENSIONS

Model Number	A		B		C		D		E		F		G		H		I	
	in.	mm	in.	mm	in.	mm	in.	mm	in.	mm	in.	mm	in.	mm	in.	mm	in.	mm
WCL1923OSD	19	483	23	584	13 1/2	343	16	406	2 3/4	70	4	102	2 1/2	64	2 5/8	67	4 15/16	125
WCLW01923OSD	19	483	23	584	13 1/2	343	16	406	2 3/4	70	4	102	2 1/2	64	2 5/8	67	4 15/16	125



ADA  
Compliant

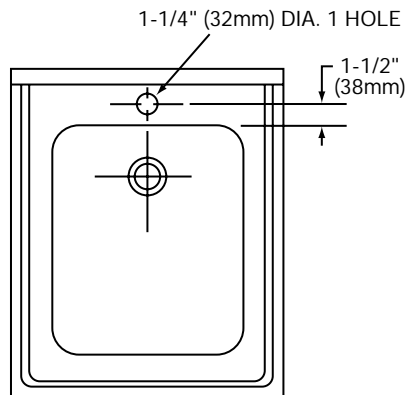
Model WCL1923OSDC



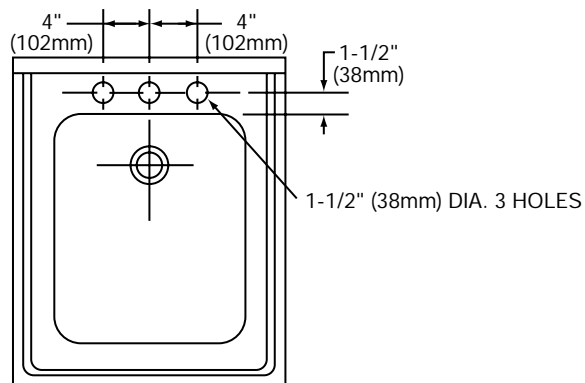
In keeping with our policy of continuing product improvement, Elkay reserves the right to change product specifications without notice.

This specification describes an Elkay product with design, quality and functional benefits to the user. When making a comparison of other producers' offerings, be certain these features are not overlooked.

### HOLE DRILLING CONFIGURATIONS



Models WCL1923OSD1  
WCLWO1923OSD1



Models WCL1923OSD3  
WCLWO1923OSD3