

# ELKAY<sup>®</sup>

## SPECIFICATIONS

### Gourmet Lustertone<sup>®</sup> Undermount Single Bowl Sink Model ELUHAD Series - A.D.A. Compliant

#### GENERAL

Highest quality sink formed of #18 (1.2mm) gauge, type 304 (18-8) nickel bearing stainless steel. Undermount.

#### DESIGN FEATURES

ELUHAD Bowl Depth: 4-1/2" (114mm), 5" (127mm) or 5-1/2" (140mm)

Finish: Exposed surfaces are hand polished to a Lustrous Highlighted Satin finish.

Underside: Sound dampening pads with spray undercoating to dampen sound and reduce condensation.

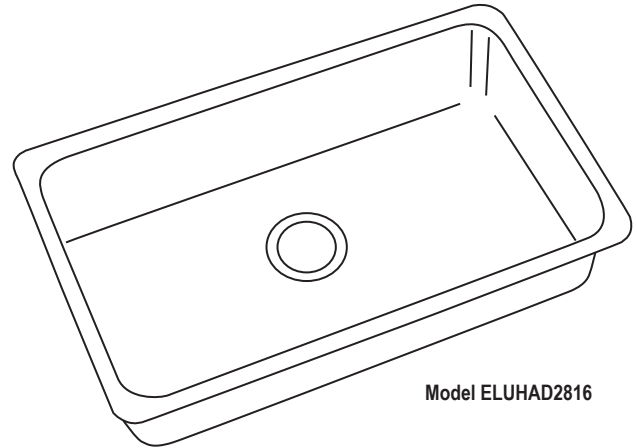
#### OTHER

Drain Opening: 3-1/2" (89mm) center rear location.

NOTE: All Elkay undermount sinks are designed to attach to the underside of any solid surface countertop.

Sink complies with ASME A112.19.3/ CSA B45.4

 Sinks are listed by IAPMO<sup>®</sup> as meeting the applicable requirements of the Uniform Plumbing Code<sup>®</sup>, International Plumbing Code<sup>®</sup>, and National Plumbing Code of Canada.



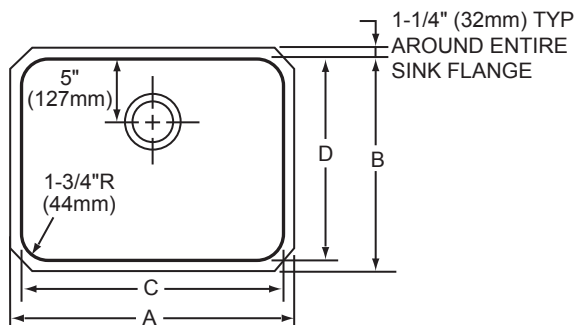
Model ELUHAD2816

#### SINK DIMENSIONS\*

| Model Number | Overall           |                   | Inside Each Bowl  |                   |       | Cutout in Countertop           | Template Packed with Every Sink | Minimum Cabinet Size |
|--------------|-------------------|-------------------|-------------------|-------------------|-------|--------------------------------|---------------------------------|----------------------|
|              | Length            | Width             | Length            | Width             | Depth |                                |                                 |                      |
|              | A                 | B                 | C                 | D                 |       |                                |                                 |                      |
| ELUHAD1116   | 14<br>(356mm)     | 18-1/2<br>(470mm) | 11-1/2<br>(292mm) | 16<br>(406mm)     | **    | See template packed with sink. | 1000001422                      | 18<br>(457mm)        |
| ELUHAD1212   | 14-1/2<br>(368mm) | 14-1/2<br>(368mm) | 12<br>(305mm)     | 12<br>(305mm)     | **    |                                | 1000001423                      | 18<br>(457mm)        |
| ELUHAD1316   | 16<br>(406mm)     | 18-1/2<br>(470mm) | 13-1/2<br>(343mm) | 16<br>(406mm)     | **    |                                | 1000001399                      | 21<br>(533mm)        |
| ELUHAD1414   | 16-1/2<br>(419mm) | 16-1/2<br>(419mm) | 14<br>(356mm)     | 14<br>(356mm)     | **    |                                | 1000001307                      | 21<br>(533mm)        |
| ELUHAD1418   | 16-1/2<br>(419mm) | 20-1/2<br>(521mm) | 14<br>(356mm)     | 18<br>(457mm)     | **    |                                | 1000001307                      | 21<br>(533mm)        |
| ELUHAD1616   | 18-1/2<br>(470mm) | 18-1/2<br>(470mm) | 16<br>(406mm)     | 16<br>(406mm)     | **    |                                | 1000001420                      | 24<br>(610mm)        |
| ELUHAD1916   | 21-1/2<br>(546mm) | 18-1/2<br>(470mm) | 19<br>(483mm)     | 16<br>(406mm)     | **    |                                | 1000001424                      | 27<br>(686mm)        |
| ELUHAD2115   | 23-1/2<br>(597mm) | 18-1/4<br>(464mm) | 21<br>(533mm)     | 15-3/4<br>(400mm) | **    |                                | 1000001400                      | 27<br>(686mm)        |
| ELUHAD2816   | 30-1/2<br>(795mm) | 18-1/2<br>(470mm) | 28<br>(711mm)     | 16<br>(406mm)     | **    |                                | 1000001414                      | 36<br>(914mm)        |

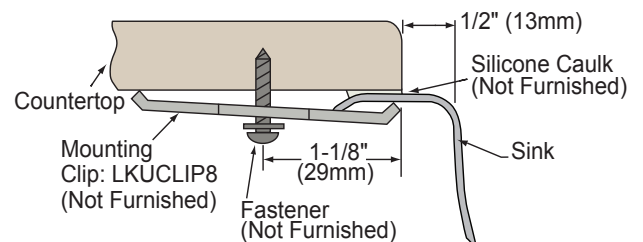
\* Length is left to right. Width is front to back.

\*\* Available in 4-1/2" (114mm), 5" (127mm) or 5-1/2" (140mm).



#### Installation Profile of ELUHAD Double Bowl Models

The template provided with each ELUHAD sink provides the only type of installation recommended by Elkay.



#### Installation Profile 1/2" (13mm) Reveal

In keeping with our policy of continuing product improvement, Elkay reserves the right to change product specifications without notice. Please visit [elkay.com](http://elkay.com) for the most current version of Elkay product specification sheets.

This specification describes an Elkay product with design, quality, and functional benefits to the user. When making a comparison of others producers offerings, be certain these features are not overlooked.