

# ELKAY<sup>®</sup>

## SPECIFICATIONS

### Gourmet Sink Models LFGR3322 and LFGR3722

#### GENERAL

Highest quality sink formed of #18 (1.2mm) gauge, type 304 (18-8) nickel bearing stainless steel. Top Mount.

#### DESIGN FEATURES

Bowl Depths: 10" (254mm) left bowl, 8" (203mm) right bowl.

Rim Height: 3/16" (5mm)

Coved Corners: 1-3/4" (44mm) vertical and horizontal radius.

Finish: Exposed surfaces are hand polished to a Lustrous Highlighted Satin finish.

Underside: Fully protected by heavy duty Sound Guard<sup>®</sup> under-coating to reduce condensation and dampen sound.

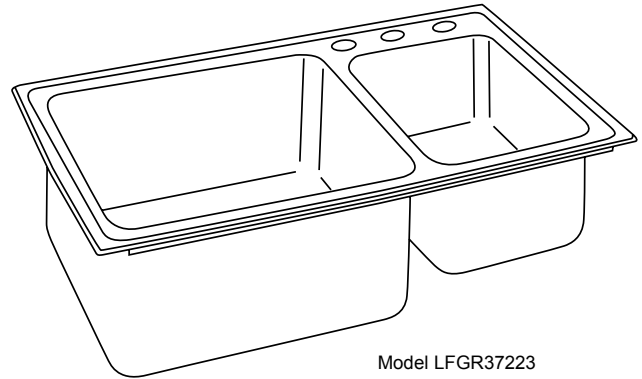
#### OTHER

Drain Opening: 3-1/2" (89mm).

Sink complies with ASME A112.19.3-2008 / CSA B45.4-08.



These sinks are listed by the International Association of Plumbing and Mechanical Officials as meeting the requirements of the Uniform Plumbing Code and the National Plumbing Code of Canada.



Model LFGR37223

#### OPTIONAL ACCESSORIES

##### For LFGR3322:

Bottom Grid: LKWOBG1116SS (small bowl)

Cutting Board: CB1713, CBS1316 (large bowl)

Drain: LK99

Rinsing Basket: LKWRB1418SS (large bowl), LKWRB1116 (small bowl), LKWERBSS

Utensil Caddy for Rinsing Basket: LKWUCSS

##### For LFGR3722:

Bottom Grid: LKWOBG2018SS (large bowl), LKWOBG1116SS (small bowl)

Cutting Board: CBS1418 (large bowl)

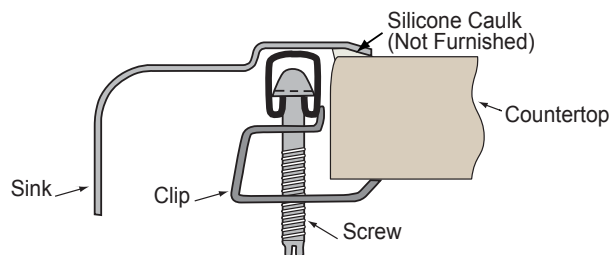
Drain: LK99

Rinsing Basket: LKWRB2018SS, LKWERBSS (large bowl), LKWRB1116SS (small bowl)

Utensil Caddy for Rinsing Basket: LKWUCSS



#### Installation Profile



SEE NEXT PAGE FOR PRODUCT DIMENSIONS.

In keeping with our policy of continuing product improvement, Elkay reserves the right to change product specifications without notice. Please visit [elkayusa.com](http://elkayusa.com) for most current version of Elkay product specification sheets.

This specification describes an Elkay product with design, quality, and functional benefits to the user. When making a comparison of others producers offerings, be certain these features are not overlooked.

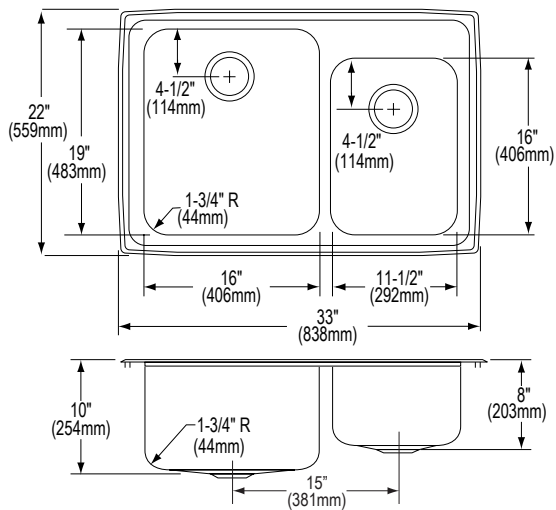
# ELKAY<sup>®</sup> SPECIFICATIONS

## Gourmet Sink Models LFGR3322 and LFGR3722

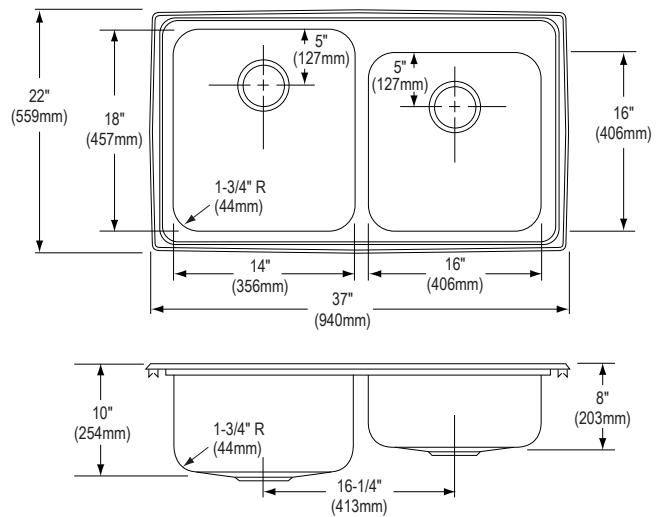
### SINK DIMENSIONS\*

Model	Overall		Inside Left Bowl			Inside Right Bowl			Cutout in Countertop (1-1/2" (38mm) Radius Corners)		No. of 1-1/2" (38mm) Dia. Faucet Holes 4" (102mm) Center	Minimum Cabinet Size
	L	W	L	W	D	L	W	D	L	W		
LFGR3322	33" (838mm)	22" (559mm)	16" (406mm)	19" (483mm)	10" (254mm)	11-1/2" (292mm)	16" (406mm)	8" (203mm)	32-3/8" (822mm)	21-3/8" (543mm)	1, 2, or 3	36
LFGR3722	37" (940mm)	22" (559mm)	20" (508mm)	18" (457mm)	10" (254mm)	11-1/2" (292mm)	16" (406mm)	8" (203mm)	36-3/8" (924mm)	21-3/8" (543mm)	1, 2, or 3	42

\*Length is left to right. Width is front to back



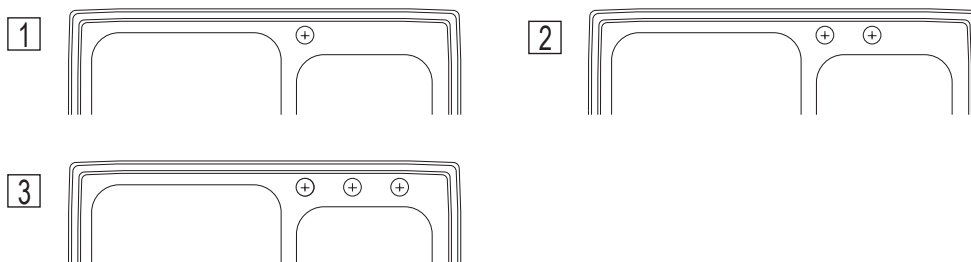
Model LFGR3322 Illustrated



Model LFGR3722 Illustrated

### Hole Drilling Configurations

1-1/2" (38mm) Diameter Faucet Holes on 4" (102mm) Centers



In keeping with our policy of continuing product improvement, Elkay reserves the right to change product specifications without notice. Please visit [elkayusa.com](http://elkayusa.com) for most current version of Elkay product specification sheets.

This specification describes an Elkay product with design, quality, and functional benefits to the user. When making a comparison of others producers offerings, be certain these features are not overlooked.