

**Hand Wash-Up Sink With Sensor Faucet
AC/Battery Powered, Models CHS1716SACC,
CHS1716SACMC and CHS1716SACTMC**



SPECIFICATIONS

GENERAL

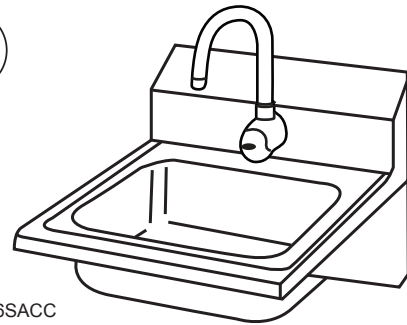
CHS1716 Type 304 (18-8) stainless steel hand sink. Basin has 1-3/4" (45mm) radius coved corners. Full length 7" (178mm) high backsplash. Exposed surfaces have a brushed finish. Furnished with a wall hanger and integral stainless steel support brackets. Carries NSF International Certification.

(CHECK MODEL SPECIFIED)

MODEL	FAUCET	DRAIN	TRAP	MIXING VALVE
<input type="checkbox"/> CHS1716SACC	LKB722C	LK8	LK500	NONE
<input type="checkbox"/> CHS1716SACMC	LKB722C	LK8	LK500	LK724
<input type="checkbox"/> CHS1716SACTMC	LKB722C	LK8	LK500	LK723

LKB722C Sensor-operated, backsplash-mounted, non-mixing goose-neck faucet with adjustable sensor eyes. A continuous beam is emitted from sensor and faucet is activated when hands are placed under the spout. Water will flow as long as hands remain within sensor range. When hands are removed, the water stops automatically based on shut-off delay setting. The sensor then resets for the next user.

Chrome-plated solid brass construction with 2.0gpm laminar flow control on spout end. Includes water-resistant sensor control module and power cables. Features dual power options: AC plug-in and battery holder with four AA batteries. Slow-closing piston operated solenoid valve, in-line filter with clean-out trap and flexible supply hose. Control circuit is solid state, has adjustable sensor range of 7/8" (22mm) to 6-3/4" (171mm), shut-off delay preset to 1 second and field adjustable to 2 seconds (to prevent sink overflow).



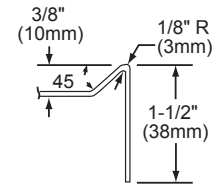
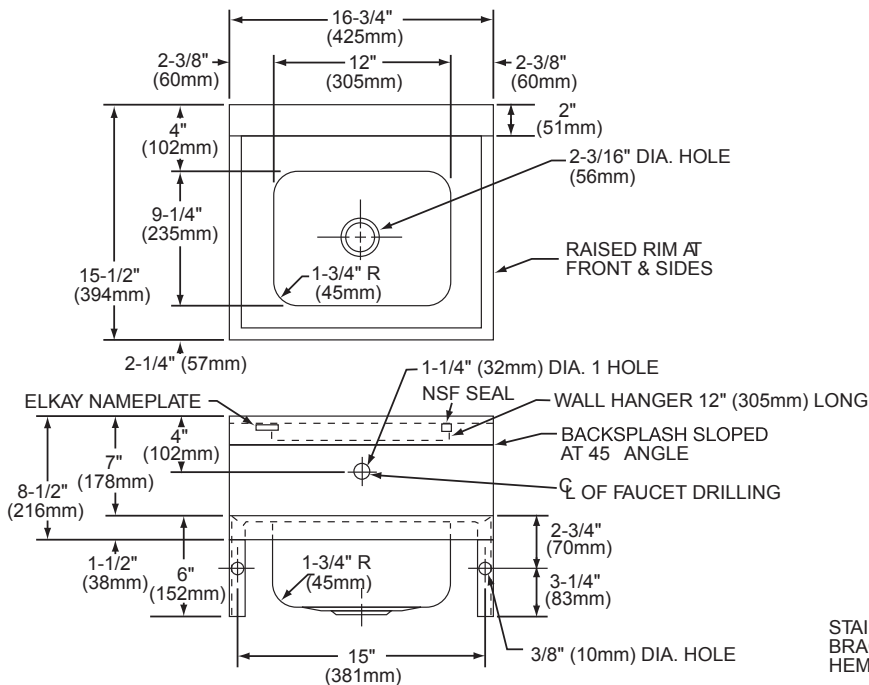
Model CHS1716SACC

LK8 Chrome plated grid strainer with 1-1/2" (38mm) O.D. tailpiece.

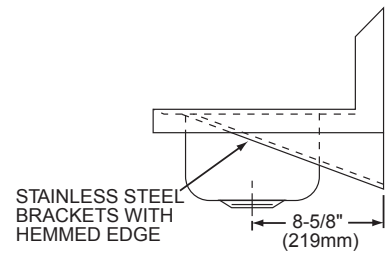
LK500 Satin chrome cast brass "P" trap with cleanout, chrome plated 1-1/2" (38mm) O.D. tubing waste arm to wall, and wall flange.

LK723 Anti-scald thermostatic mixing valve with nickel-plated brass body 1/2" (13mm) SWT inlets and outlet connections, check valves on inlets and a mixed temperature range of 80°- 120°F. Certified under ASSE1016.

LK724 Mechanical mixing valve with C.P. brass body, 3/8" (10mm) compression inlets and outlet connections, and check valves on inlets.

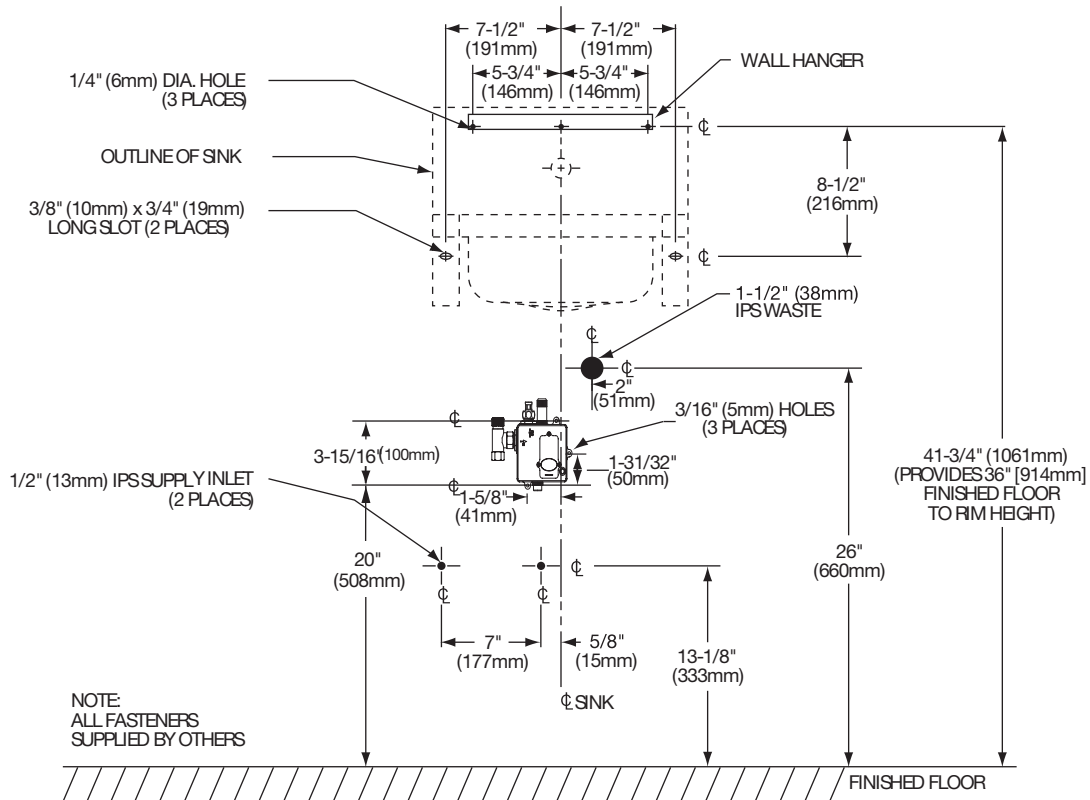


SECTION THROUGH RIM

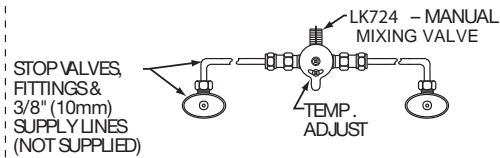


In keeping with our policy of continuing product improvement, Elkay reserves the right to change product specifications without notice.

ROUGH-IN DIMENSIONS



FOR CHS1716SSACMC



FOR CHS1716SACTMC

