

# ELKAY® SPECIFICATIONS

## Service Sink, Wall Mounted, With Drainboard Mixing Faucet With Wrist Blade Handles Models ESS4924RW4C, ESS4924RW6C and ESS4924R

### GENERAL

#14 gauge, type 304 (18-8), stainless steel service sink with right hand 30" (762mm) drainboard. 1/4" (6mm) radius vertical and horizontal covered corners. 1-1/2" (38mm) rolled rim. Full length 8" (203mm) high backsplash with 45° sloped top. Exposed surfaces are hand blended to a uniform lustrous satin finish. Furnished with wall hanger and stainless steel support brackets. Carries NSF International Certification.

(CHECK MODEL SPECIFIED)

- ESS4924RW4C (4" [102mm] Wrist Blade Handles)
- ESS4924RW6C (6" [152mm] Wrist Blade Handles)

### FURNISHED COMPLETE WITH:

SUPPLY: **LK940GN08T4H.** Chrome plated mixing faucet with 4" (102mm) wrist blade handles, swing 8" (203mm) high gooseneck spout, vandal-resistant, anti-hose aerator.

– OR –

**LK940GN08T6H.** Chrome plated mixing faucet with 6" (152mm) wrist blade handles, swing 8" (203mm) high gooseneck spout, vandal-resistant, anti-hose aerator.

DRAIN: **LK18B.** Stainless steel perforated strainer grid. 1-1/2" (38mm) O.D. x 4" (102mm) stainless steel tailpiece.

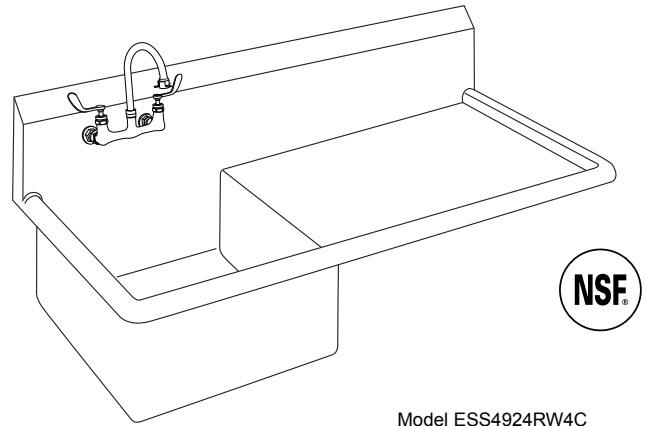
### FOLLOWING MODEL DOES NOT INCLUDE FAUCET AND DRAIN:

- ESS4924R

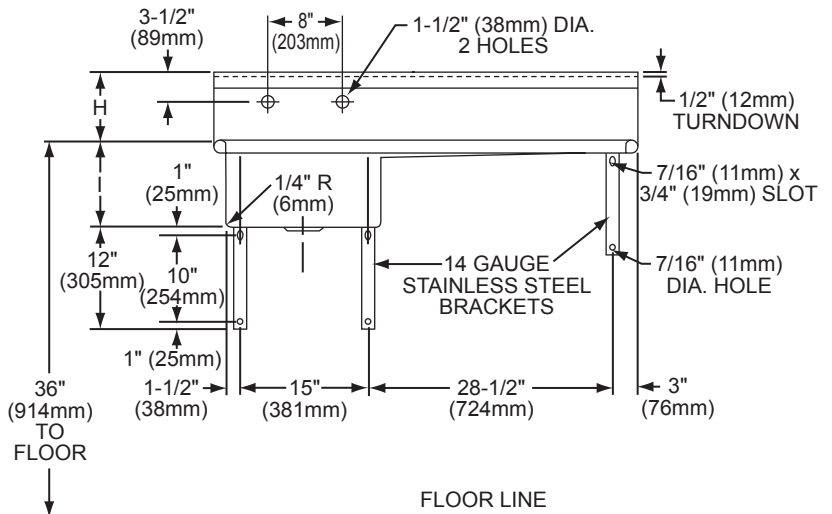
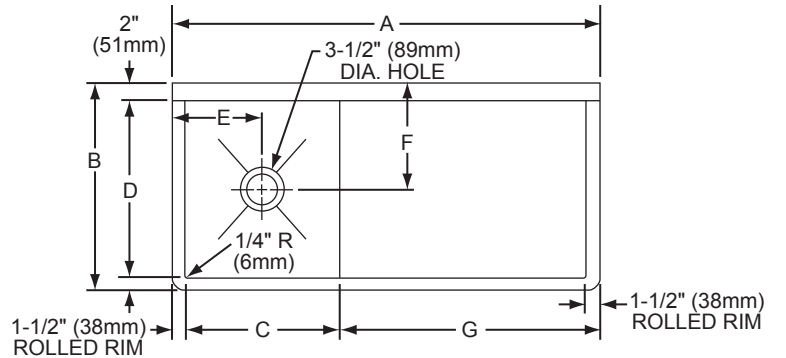
SPECIFY FAUCET DRILLINGS AND LOCATION.

### DIMENSIONS

Model Number ESS4924R					
DIMS.	in.	mm	DIMS.	in.	mm
A	49 1/2	1257	F	12 1/4	311
B	24	610	G	30	762
C	18	457	H	8	203
D	20 1/2	521	I	10	254
E	10 1/2	267			



Model ESS4924RW4C



In keeping with our policy of continuing product improvement, Elkay reserves the right to change product specifications without notice.