

**Four Station Wall Mounted Wash Sink  
With Sensor Faucets, AC / Battery Powered  
Models EWMA9620SACC,  
EWMA9620SACMC and EWMA9620SACTMC**



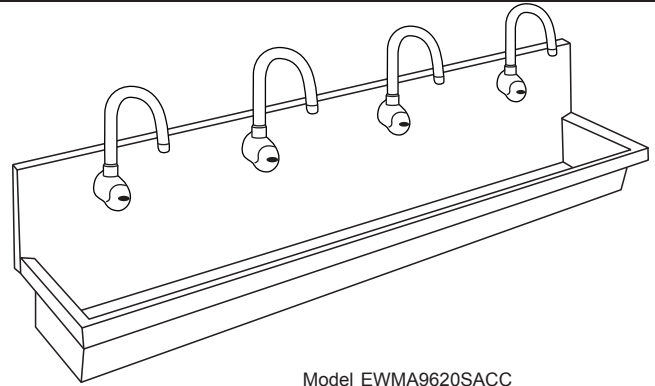
**SPECIFICATIONS**

**GENERAL**

EWMA9620 #14 gauge, type 304 (18-8) stainless steel four station wash sink with 1/4" (6mm) radius coved corners. 1-1/2" (38mm) wide sloping top channel rims, with 2" (51mm) flat apron. Full length 10" (254mm) high backsplash. Rim corners are square. Exposed surfaces are hand blended to a uniform satin luster finish. Furnished with wall hangers and stainless steel support brackets.

(CHECK MODEL SPECIFIED)

MODEL	FAUCET	DRAIN	MIXING VALVE
<input type="checkbox"/> EWMA9620SACC	LKB722C (4)	LK18B	NONE
<input type="checkbox"/> EWMA9620SACMC	LKB722C (4)	LK18B	LK724 (4)
<input type="checkbox"/> EWMA9620SACTMC	LKB722C (4)	LK18B	LK723 (4)



LKB722C Sensor-operated, non-mixing backsplash-mounted gooseneck faucet with adjustable sensor eyes. A continuous beam is emitted from sensor. The sensor faucet is activated by user placing hands under the spout. Water will flow as long as hands remain within sensor range. When hands are removed the water stops automatically based on shut off delay settings. The sensor then resets and is ready for the next user. Chrome-plated solid brass body construction with 2.0gpm laminar flow control on spout end. Includes water-resistant sensor control module and power cables. Features dual power options: AC plug-in and battery holder with four AA batteries. Slow-closing piston operated solenoid valve, in-line filter with clean-out trap and flexible supply hose. Control circuit is solid state, has adjustable sensor range of 7/8" (22mm) to 6-3/4" (171mm), shut-off delay preset to 1 second and field adjustable to 2 seconds (to prevent sink overflow).

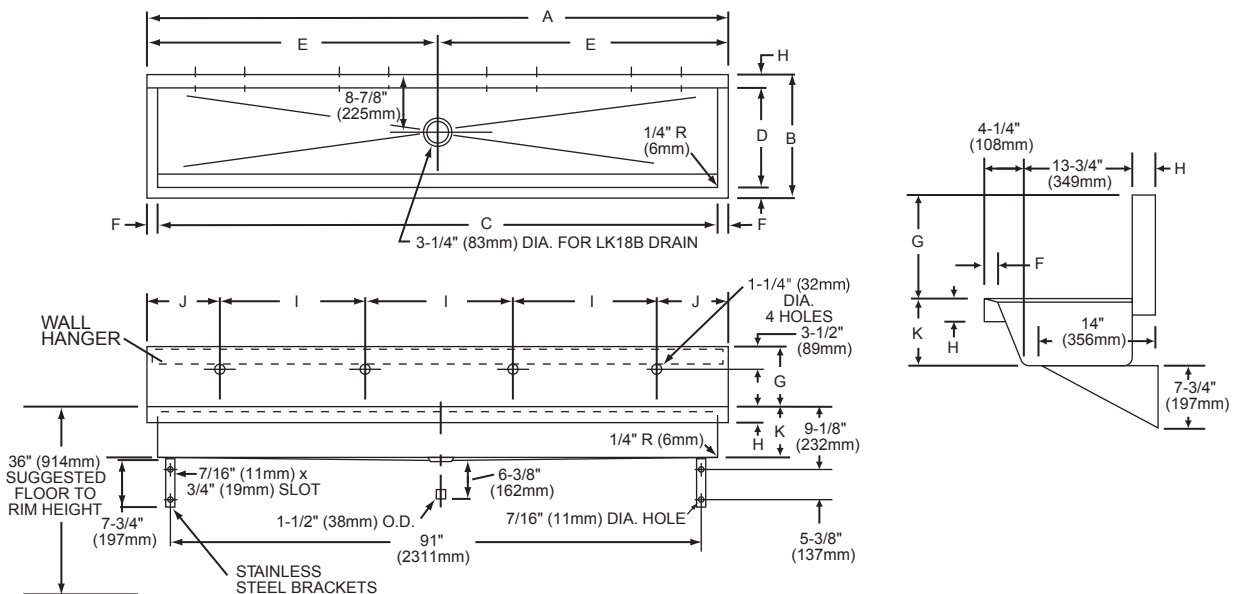
LK18B Stainless steel perforated grid strainer with 1-1/2" (38mm) O.D. stainless steel tailpiece.

LK723 Anti-scald thermostatic mixing valve with nickel-plated brass body 1/2" (13mm) SWT inlets and outlet connections, check valves on inlets and a mixed temperature range of 80° - 120°F. Certified under ASSE1016.

LK724 Mechanical mixing valve with C.P. brass body, 3/8" (10mm) compression inlets and outlet connections, and check valves on inlets.

**DIMENSIONS**

Model Number	A		B		C		D		E		F		G		H		I		J		K	
	in.	mm	in.	mm	in.	mm	in.	mm	in.	mm	in.	mm	in.	mm	in.	mm	in.	mm	in.	mm	in.	mm
EWMA9620	96	2438	20	508	93	2362	16 1/2	419	48	1219	1 1/2	38	10	254	2	51	24	610	12	305	8	203



**Four Station Wall Mounted Wash Sink  
With Sensor Faucets, AC / Battery Powered  
Models EWMA9620SACC,  
EWMA9620SACMC and EWMA9620SACTMC**

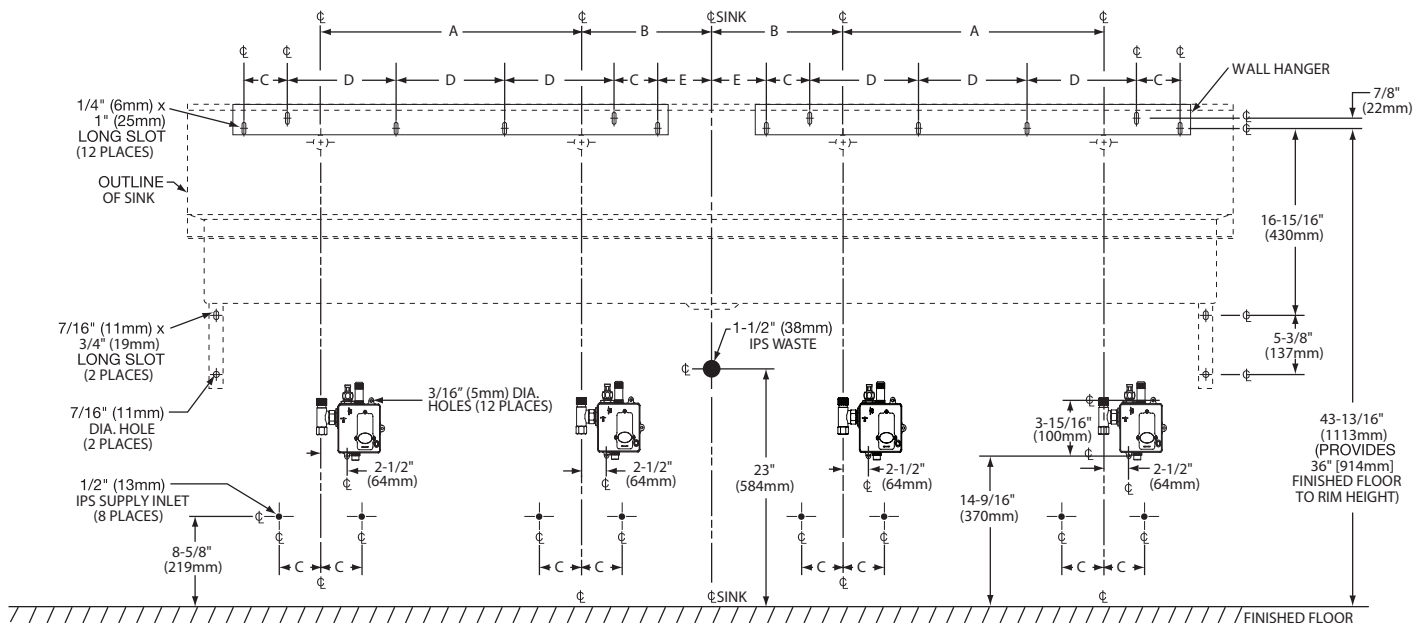


**ROUGH-IN DIMENSIONS**

**DIMENSIONS**

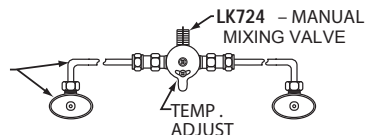
Model Number	A		B		C		D		E	
	in.	mm	in.	mm	in.	mm	in.	mm	in.	mm
EWMA9620	24	610	12	305	4	102	10	254	5	127

NOTE:  
ALL FASTENERS  
SUPPLIED BY OTHERS



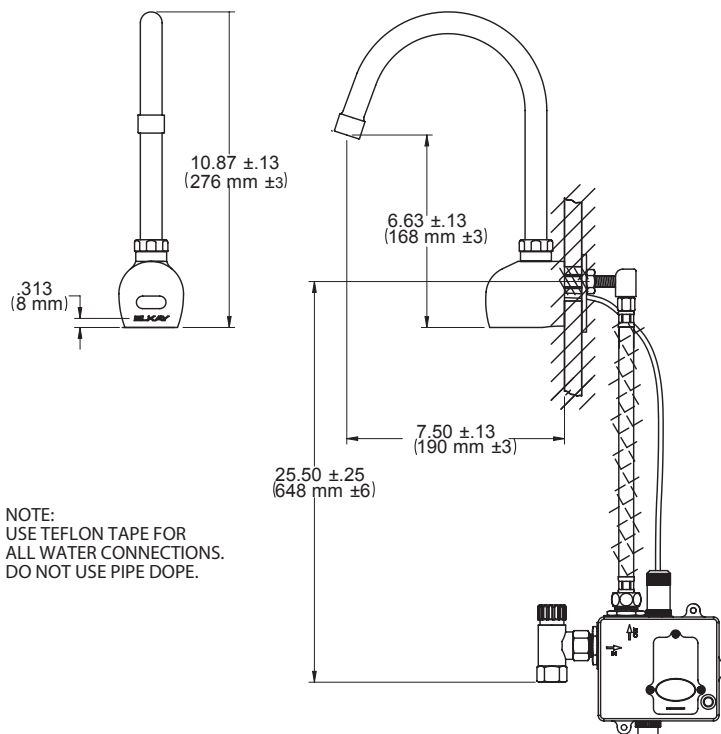
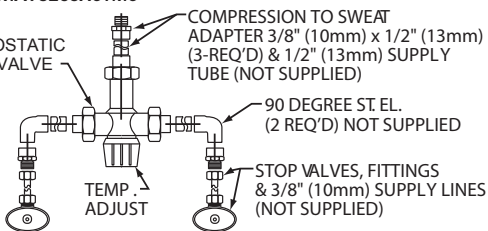
**FOR EWMA9620SACMC**

STOP VALVES, FITTINGS & 3/8" (10mm) SUPPLY LINES (NOT SUPPLIED)



**FOR EWMA9620SACTMC**

LK723 THERMOSTATIC MIXING VALVE  
COMPRESSION TO SWEAT ADAPTER 3/8" (10mm) x 1/2" (13mm) (3-REQ'D) & 1/2" (13mm) SUPPLY TUBE (NOT SUPPLIED)  
90 DEGREE ST. EL. (2 REQ'D) NOT SUPPLIED  
STOP VALVES, FITTINGS & 3/8" (10mm) SUPPLY LINES (NOT SUPPLIED)  
TEMP. ADJUST



NOTE:  
USE TEFLON TAPE FOR ALL WATER CONNECTIONS.  
DO NOT USE PIPE DOPE.