

# ELKAY® SPECIFICATIONS

## Scrub-up Sink, Wall Mounted Mixing Faucet With Wrist Blade Handles Models EWS2520W4C, EWS2520W6C, EWS2520, EWS3120W4C, EWS3120W6C and EWS3120

### GENERAL

#14 gauge, type 304 (18-8), stainless steel scrub-up sink with 1-3/4" (44mm) radius vertical and horizontal covered corners. 1-1/2" (38mm) rolled rim. Full length 6" (152mm) high back-splash. Exposed surfaces are hand blended to a uniform lustrous satin finish. Underside is sound deadened. Furnished with wall hanger and stainless steel support brackets.

(CHECK MODEL SPECIFIED)

- EWS2520W4C (4" [102mm] Wrist Blade Handles)
- EWS2520W6C (6" [152mm] Wrist Blade Handles)
- EWS3120W4C (4" [102mm] Wrist Blade Handles)
- EWS3120W6C (6" [152mm] Wrist Blade Handles)

### FURNISHED COMPLETE WITH:

SUPPLY: **LK940GN05T4H**. Chrome plated mixing faucet with 4" (102mm) wrist blade handles, swing 5" (127mm) high gooseneck spout, vandal-resistant, anti-hose aerator.

– OR –

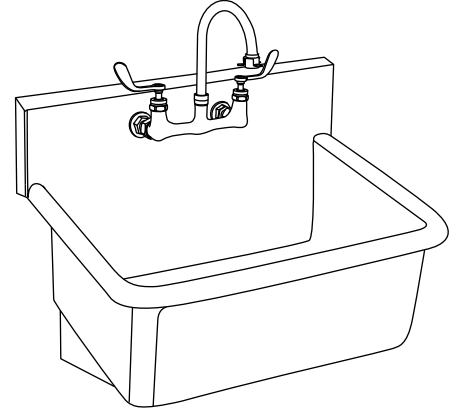
**LK940GN05T6H**. Chrome plated mixing faucet with 6" (152mm) wrist blade handles, swing 5" (127mm) high gooseneck spout, vandal-resistant, anti-hose aerator.

DRAIN: **LK18B**. Stainless steel perforated strainer grid. 1-1/2" (38mm) O.D. x 4" (102mm) stainless steel tailpiece.

### FOLLOWING MODELS DO NOT INCLUDE FAUCETS AND DRAIN:

- EWS2520
- EWS3120

SPECIFY FAUCET DRILLINGS AND LOCATION.



Model EWS2520W6C

SEE OTHER SIDE FOR PRODUCT DIMENSIONS.

In keeping with our policy of continuing product improvement, Elkay reserves the right to change product specifications without notice.

**Scrub-up Sink, Wall Mounted  
Mixing Faucet With Wrist Blade Handles  
Models EWS2520W4C, EWS2520W6C, EWS2520,  
EWS3120W4C, EWS3120W6C and EWS3120**

**ELKAY<sup>®</sup>  
SPECIFICATIONS**

**DIMENSIONS**

Model Number EWS2520					
DIMS.	in.	mm	DIMS.	in.	mm
A	25	635	G	7	178
B	19 1/2	495	H	6	152
C	22	559	I	10 1/2	267
D	16	406	J	7/16	11
E	1 1/2	38	K	2 5/8	67
F	12 1/2	318	L	17	432

Model Number EWS3120					
DIMS.	in.	mm	DIMS.	in.	mm
A	31	787	G	7	178
B	19 1/2	495	H	6	152
C	28	711	I	10 1/2	267
D	16	406	J	7/16	11
E	1 1/2	38	K	2 5/8	67
F	15 1/2	394	L	23	584

