

SPECIFICATIONS

GENERAL

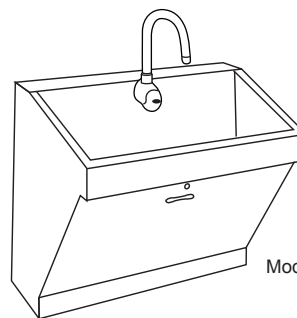
#16 gauge, type 304 (18-8), stainless steel single station slant front scrub-up sink with sensor faucet, coved corners, keyed access door, wall hanger, full length backplash and full enclosure. Exposed surfaces are polished to a satin finish. Underside is sound deadened. ADA Compliant.

FURNISHED COMPLETE WITH:

SUPPLY: LKB722C Sensor-operated, backsplash-mounted, non-mixing gooseneck faucet with adjustable sensor eyes. A continuous beam is emitted from sensor and faucet is activated when hands are placed under the spout. Water will flow as long as hands remain within sensor range. When hands are removed, the water stops automatically based on shut-off delay setting. The sensor then resets for the next user.

Chrome-plated solid brass construction with 2.0gpm laminar flow control on spout end. Includes water-resistant sensor control module and power cables. Features dual power options: AC plug-in and battery holder with four AA batteries. Slow-closing piston operated solenoid valve, in-line filter with clean out trap and flexible supply hose. Control circuit is solid state, has adjustable sensor range of 7/8" (22mm) to 6-3/4" (171mm), shut-off delay preset at 1 second and field adjustable to 2 seconds (to prevent sink overflow.)

DRAIN: LK18B Stainless steel perforated strainer grid, drain fitting with 1-1/2" (38 mm) O.D. x 4" (102mm) stainless steel tailpiece.



Model EWSFAD13620SACC

FOLLOWING MODEL DOES NOT INCLUDE SENSOR FAUCET AND DRAIN:

- EWSFAD13620

SPECIFY FAUCET DRILLINGS AND LOCATION.

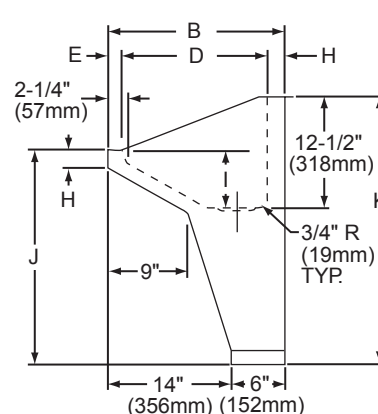
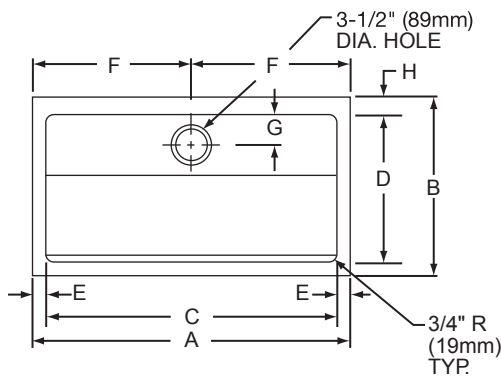
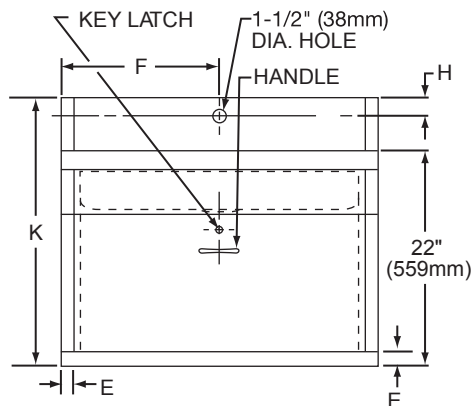
OPTIONAL (Specify Separately):

- LK723 Anti-scald thermostatic mixing valve with nickel plated brass body, 1/2" (13mm) union SWT inlets and outlet connection. Comes with internal check valves on inlets and mixed temperature range of 80° - 120°F.



DIMENSIONS

Model Number	A		B		C		D		E		F		G		H		I		J		K	
	in.	mm	in.	mm	in.	mm	in.	mm	in.	mm	in.	mm	in.	mm	in.	mm	in.	mm	in.	mm	in.	mm
EWSFAD13620	36	914	20	508	33	838	16 1/2	419	1 1/2	38	18	457	3 3/8	137	2	51	6 1/2	165	24	610	30	762



NOTE: SEE REVERSE SIDE FOR ROUGH-IN DIMENSIONS

In keeping with our policy of continuing product improvement, Elkay reserves the right to change product specifications without notice.

This specification describes an Elkay product with design, quality and functional benefits to the user. When making a comparison of other producers' offerings, be certain these features are not overlooked.

ROUGH-IN DIMENSIONS

