

PRODUCT SPECIFICATIONS

Elkay Drain Fitting 2" Nickel Plated Brass Body with Deep Stainless Steel Strainer Basket. Overall dimensions are 2-7/8" x 2-7/8" x 6-7/16". Made of Nickel Plated Brass Body with Stainless Steel Strainer Basket and Tailpiece.

Material:	Nickel Plated Brass Body with Stainless Steel Strainer Basket and Tailpiece
Finish:	Polished Stainless Steel
Dimensions:	2-7/8" x 2-7/8" x 6-7/16"
Shipping Weight:	1 lbs.

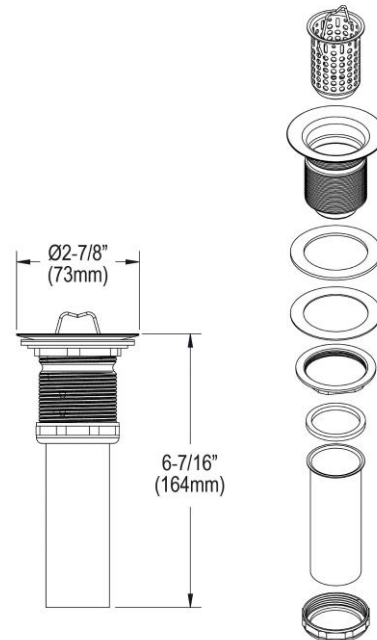
- 1-1/2" O.D. x 4" type 304 stainless steel tailpiece.



AMERICAN PRIDE. A LIFETIME TRADITION.
Like your family, the Elkay family has values and traditions that endure. For almost a century, Elkay has been a family-owned and operated company, providing thousands of jobs that support our families and communities.

Product Compliance: ASME A112.18.2/CSA B125.2

[Clean and Care Manual \(PDF\)](#)
[Installation Instructions \(PDF\)](#)



PART: _____ QTY: _____
 PROJECT: _____
 CONTACT: _____
 DATE: _____
 NOTES: _____
 APPROVAL: _____

In keeping with our policy of continuing product improvement, Elkay reserves the right to change product specifications without notice. Please visit elkay.com for the most current version of Elkay product specification sheets. This specification describes an Elkay product with design, quality, and functional benefits to the user. When making a comparison of other producers' offerings, be certain these features are not overlooked.