



# model 1001MS

Wall-Mounted Drinking Fountain

## FEATURES & BENEFITS

### QUALITY CONTROL

Fountain is pre-built and fully water and pressure tested to ensure no leaks and proper function for reduced installation time and added peace of mind.

### CONSTRUCTION

18 gauge Type 304 Stainless Steel swirl design bowl, 14 gauge Type 304 Stainless Steel bracket, and a vandal-resistant bottom plate provides a long lasting unit with added peace of mind.

### BUBBLER HEAD

Polished chrome-plated brass bubbler head with integral laminar flow prevents splashing and provides a superior flow pattern. The integral basin shank and inserted roll pin adds vandal resistance strength to the design, and the shielded angled stream orifice produces a steady sanitary source of water.

### MOUNTING

Galvanized frame and 10 gauge surface plate provide the maximum mounting strength for the single bubbler MS style Haws drinking fountains.

### PUSH BUTTON

With its patented (Pat. # 6,981,692) stainless steel, push-button activated valve assembly which allows for front access stream adjustment as well as cartridge and strainer access, this fountain offers 100% lead free waterways. The valve works at an operating pressure range of 30 to 90 psi (2.1 to 6.2 bar).

## OPTIONS

- ❑ Filter: Model 6426, 12" x 2" (30.5 x 5.1 cm), in-line lead removal element that reduces lead from incoming water supply.
- ❑ Chiller: Model HCR8, 8 gph (30.3 L) remote water chiller provides instantaneous cooling to meet a continuous demand for chilled water.

To see all options for this model, visit [www.hawsc.com](http://www.hawsc.com)



## SPECIFICATIONS

Model 1001MS wall mounted barrier-free drinking fountain shall include an 18 gauge Type 304 Stainless Steel satin finish basin with integral swirl design, 14 gauge Type 304 Stainless Steel wall bracket, 100% lead-free waterways, stainless steel satin finish back and access panel allowing for front access of P-trap and stop, in-wall mounting frame, push-button operated stainless steel valve with front-accessible cartridge and flow adjustment, polished chrome-plated brass vandal-resistant bubbler head with integral laminar anti-squirt flow, chrome-plated brass vandal-resistant waste strainer, vandal-resistant bottom plate, and 1-1/4" O.D. (3.2 cm) waste pipe.

## APPLICATIONS

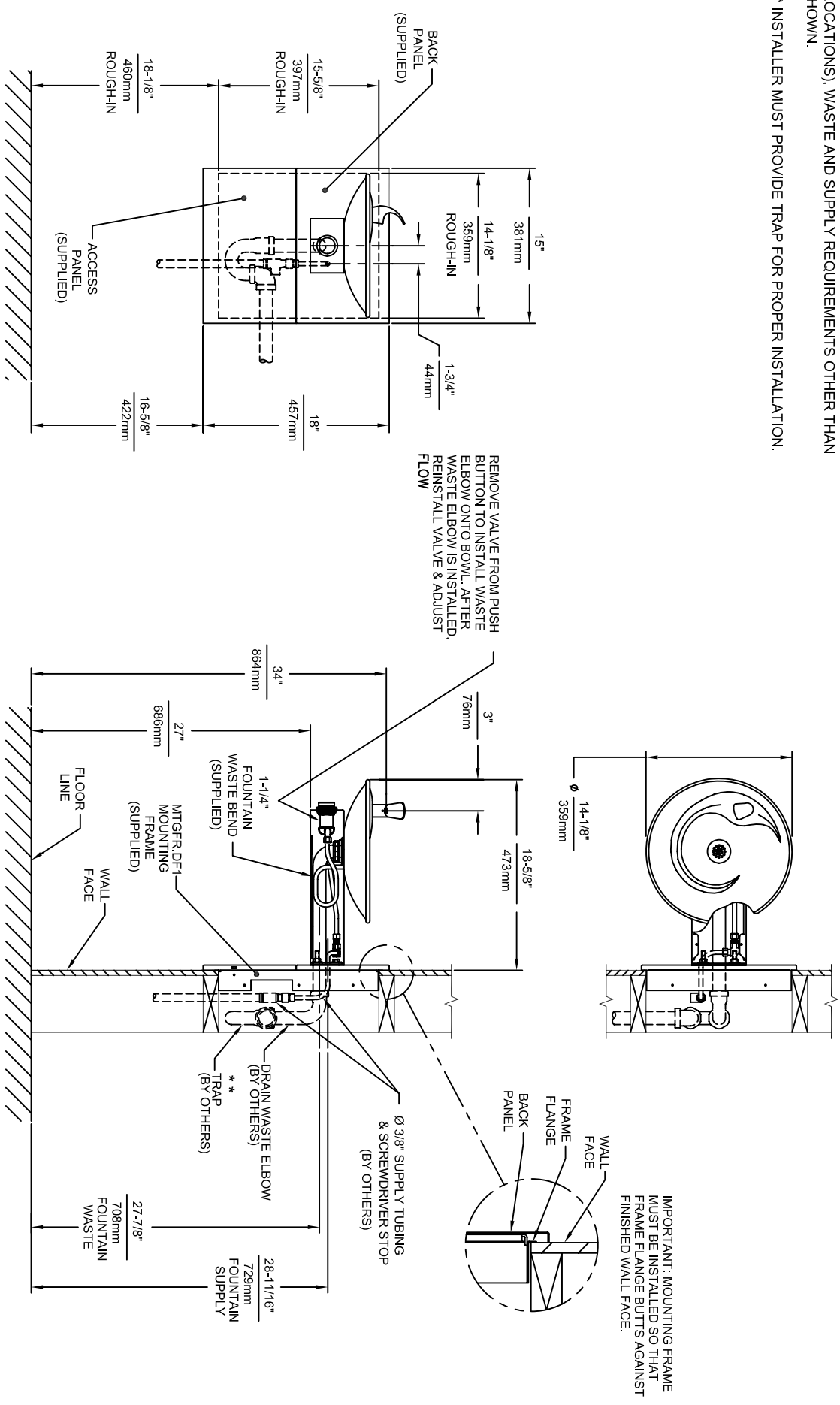
Perfect for either public or private indoor/outdoor settings, Model 1001MS is a great fit in areas where aesthetics are important to the overall appeal of the architecture. This series is precisely mounted, making it a nice addition to any surrounding. Beautiful satin finish helps to maintain the fountains overall appeal so it always remains looking as new as it did when it was installed. Specifically, this type of wall mounted drinking fountain may be placed in settings such as: schools and other locations in and around office buildings where the temperature remains above freezing.

Model meets all current Federal Regulations for the disabled including those in the Americans with Disabilities Act. Haws manufactures drinking fountains and electric water coolers to be lead-free by all known definitions including NSF/ANSI Standard 61, Section 9, California Proposition 65, and the Federal Safe Drinking Water Act. Product is compliant to California Health and Safety Code 116875 (AB 1953-2006).



**NOTES:**

1. HOLD ROUGH-IN DIMENSIONS ± 1/8" (3.2mm).
2. WHEN INSTALLING THIS UNIT, LOCAL, STATE, OR FEDERAL CODES SHOULD BE ADHERED TO FOR INSTALLATION DIMENSIONS (LOCATIONS), WASTE AND SUPPLY REQUIREMENTS OTHER THAN SHOWN.
3. \*\* INSTALLER MUST PROVIDE TRAP FOR PROPER INSTALLATION.



**Haws Corporation**

INFO FAX : 1-888-FAX-HAWS (1-888-329-4297)

1455 Kiappa Ln, Sparks NV, 89431  
 Phone: 775-359-4712 Fax: 775-359-7424  
 Haws AG Buchweg 3 CH-3401 Burgdorf Switzerland  
 Haws King Pte Ltd 74 Sungei Kodut Loop Singapore 729531  
 e-mail: Haws@hawsco.com Website: www.hawsco.com

REG. NO.	REG. TYPE	REG. DATE	REG. EXPIRES
1001MS	1001HPSMS	8/02/99	

MODEL(S): 1001MS/1001HPSMS  
 INFO FAX DOC #: 2100167/2100147767  
 SCALE: 1:1/2 DRAWING TYPE: INSTALLATION/ASSEMBLY

DATE	BY	CHKD
8/02/99		

PROJ. NO. 6510 D  
 14221A00  
 SIZE: A 1 SHEET 1 OF 1