



Haws®

model 1011H02

ADA Vandal-Resistant Motion-Activated Dual Fountain

FEATURES & BENEFITS

CONSTRUCTION

Rugged ADA accessible 18 gauge Type 304 Stainless Steel swirl design bowls, 14 gauge Type 304 Stainless Steel brackets, and a vandal-resistant bottom plate provides a long lasting unit with added peace of mind.

HANDS FREE

Touchless operation for safety and peace of mind.

MOUNTING

3/16" (.47 cm) thick steel mounting plate (sold separately) is larger, thicker and stronger than any other plate in the industry, and shall include the all-thread studs, nuts, and washers which allows for easy installation to a framed wall.

BUBBLER HEADS

Polished chrome-plated brass bubbler heads with integral laminar flow prevents splashing while providing a superior flow pattern. The integral 11/16" dia. basin shank and stainless anti-rotation roll pin for vandal resistance strength. Shielded, angled stream opening provides a steady source of drinking water at .45 gpm.

FOUNTAIN VALVES

Fountain incorporates touchless sensor operated stainless steel solenoid valves controlled by a transformer for hands-free operation. A pressure regulator is used to adjust the bubbler flow according to incoming water pressures.

VANDAL RESISTANT

The bubbler heads, push buttons, round bowls, drain strainers and bottom plates are locked in place, discouraging unwanted vandal tampering.



OPTIONS

- Bottle Filler: Model 1920HO, bottle filler can be a standalone station, or mounted above the fountain.
- Bottle Filler Stand: Model BTL1001, add-on stainless steel stand to place bottle on when 1920HO bottle filler is used.
- Access Panel: Model 6603, satin finish stainless steel access panel. Includes frame and screws.
- Support Frame: Model 6800 universal in-wall mounting support for use with most fountains.

For more information, visit www.hawscow.com or call (888) 640-4297.

SPECIFICATIONS

Model 1011H02 ADA wall mounted motion-activated vandal resistant drinking fountain shall include dual 18 gauge Type 304 Stainless Steel satin finish basins with integral swirl design, 14 gauge Type 304 Stainless Steel wall brackets, touchless sensor operated stainless steel solenoid valves with 30-second obstruction time-out controlled by a transformer, 100% lead-free waterways, polished chrome-plated brass vandal-resistant bubbler heads with integral laminar anti-squirt flow, chrome-plated brass vandal-resistant waste strainers, vandal-resistant bottom plates, stainless steel satin finish back panel, high and low fountain mounting levels, and 1-1/4" O.D. (3.2cm) wastepipes. (P-trap and stop require rear access)

REQUIRES MODEL 6700.4 PRICED SEPARATELY.

FOR INDOOR USE ONLY

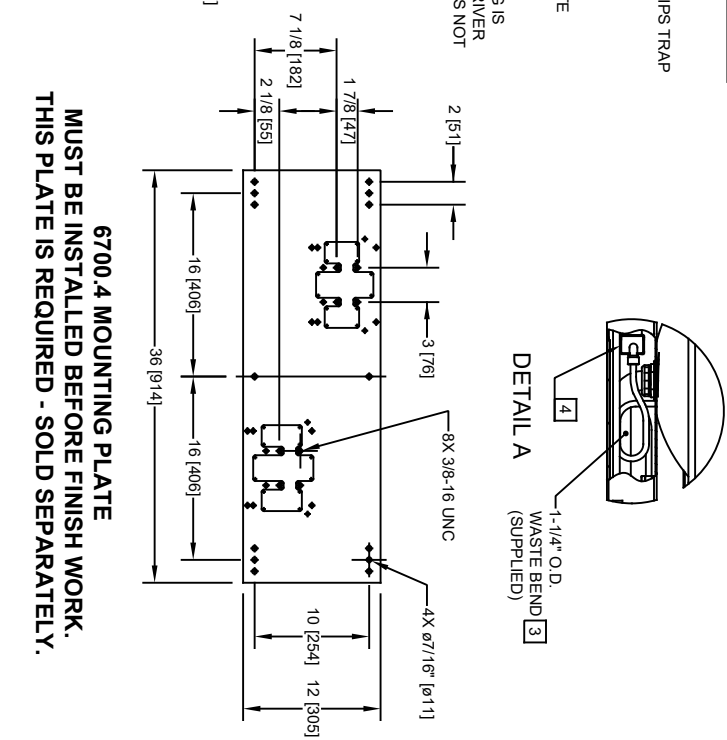
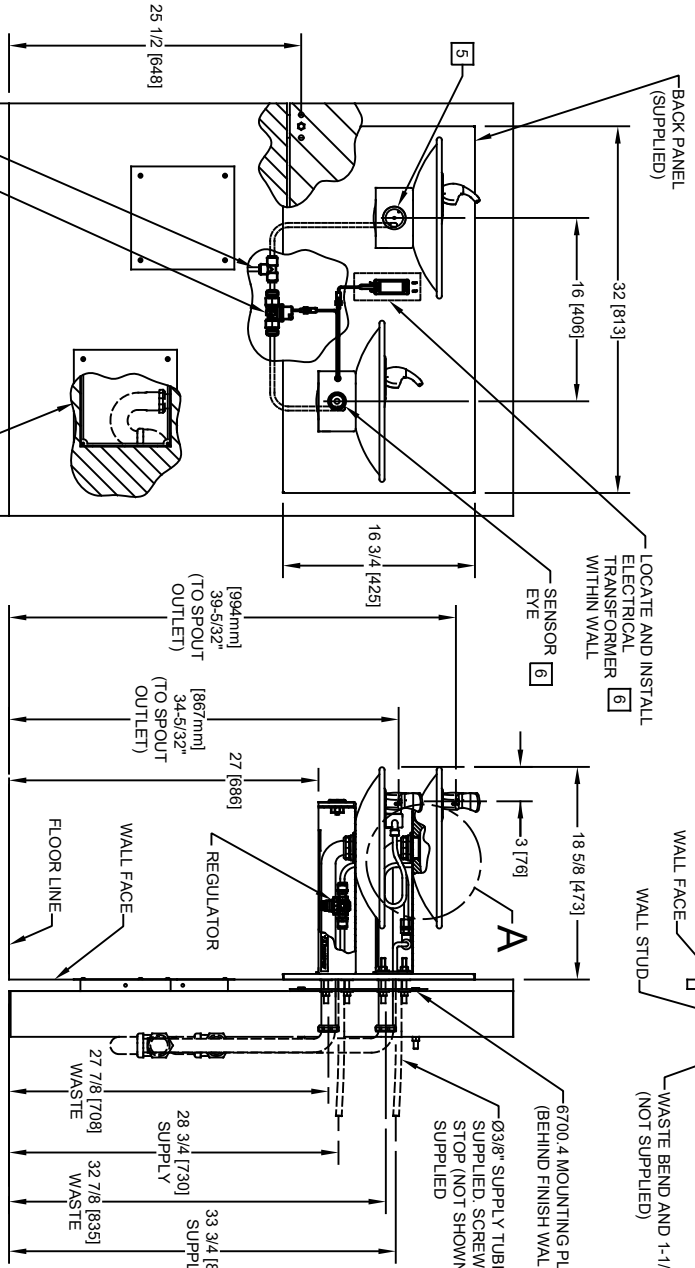
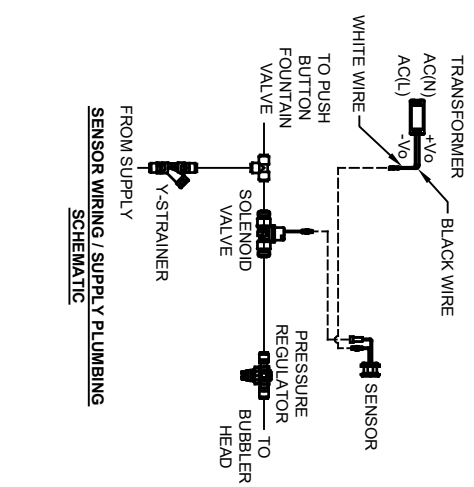
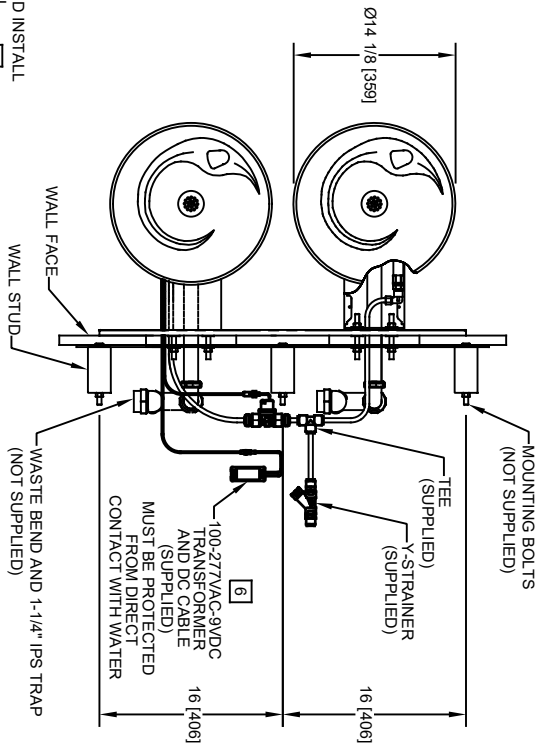
APPLICATIONS

Perfect for either public or private indoor/outdoor settings, Model 1011H02 is a great fit in areas where aesthetics are important to the overall appeal of the architecture. This series is precisely mounted, making it a nice addition to any surrounding. Beautiful satin finish helps to maintain the fountains overall appeal, so it always remains looking as new as it did when it was installed. Specifically, this type of wall mounted drinking fountain may be placed in settings such as: schools and other locations in and around office buildings where the temperature remains above freezing. Model meets all current Federal Regulations for the disabled including those in the Americans with Disabilities Act. Haws manufactures drinking fountains, faucets and electric water coolers to be lead-free by all known definitions including NSF/ANSI/CAN 61- Section 9, NSF/ANSI/CAN 372, California Proposition 65, and the Federal Safe Drinking Water Act. Product is compliant to California Health and Safety Code 116875 (AB 1953-2006), and NSF/ANSI/CAN 61: Q ≤ 1.



NOTES:

1. HOLD ROUGH-IN DIMENSIONS $\pm 1/8"$ (3.2mm).
2. WHEN INSTALLING THIS UNIT, LOCAL, STATE, OR FEDERAL CODES SHOULD BE ADHERED TO FOR INSTALLATION DIMENSIONS (LOCATIONS), WASTE AND SUPPLY REQUIREMENTS OTHER THAN SHOWN.
3. INSTALLER MUST PROVIDE TRAP FOR PROPER INSTALLATION.
4. REMOVE VALVE FROM PUSH BUTTON TO INSTALL WASTE ELBOW ONTO BOWL. AFTER WASTE ELBOW IS INSTALLED, REINSTALL VALVE AND ADJUST FLOW.
5. REFER TO 5874 SERIES OPERATION AND MAINTENANCE MANUAL FOR PUSH BUTTON AND VALVE INSTALLATION/MAINTENANCE INSTRUCTIONS.
6. REFER TO 1RKH0.H & 2RKH0.H OPERATION AND MAINTENANCE INSTRUCTIONS FOR TRANSFORMER AND SENSOR SETUP.



**6700.4 MOUNTING PLATE
MUST BE INSTALLED BEFORE FINISH WORK.
THIS PLATE IS REQUIRED - SOLD SEPARATELY.**



MODEL 1011HO/1011HPSHO SHOWN
MODEL 1011HO2/1011HPSHO2 ON SHEET 2
(ROUGH-IN DIMENSIONS APPLY TO ALL 4 MODELS)

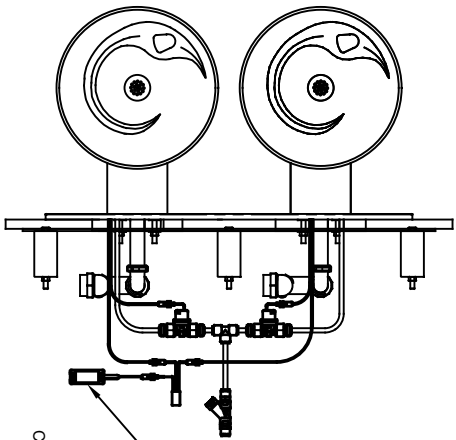
Haws

1456 KLEPPE LANE
SPARKS, NEVADA, 89431
(775) 359-4712 FAX (775) 359-7424
E-MAIL: HAWS@HAWSCO.COM
WEBSITE: WWW.HAWSCO.COM

ECN NO. 5579
REVISED PERBY: 09/15/20
DATE: 04/23/21
SCALE: 1:1
DRAWING TYPE: INSTALLATION
SIZE: A
SHEET: 1 OF 2

MODEL(S)
1011HO/1011HO2/1011HPSHO/1011HPSHO2

PART NUMBER
0510001066.D
REVISION
2



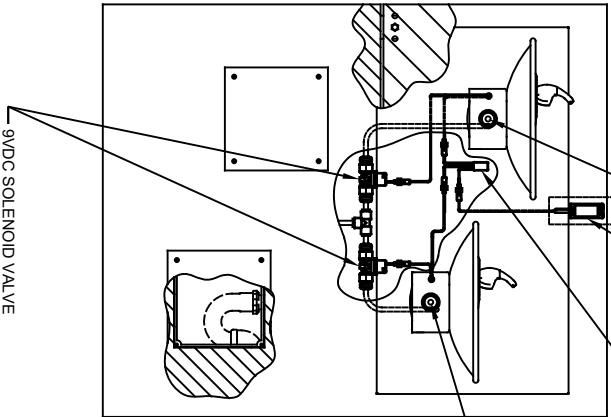
100-277VAC 9VDC TRANSFORMER AND HO CABLE (SUPPLIED) MUST BE PROTECTED FROM DIRECT CONTACT WITH WATER [6]

LOCATE AND INSTALL ELECTRICAL TRANSFORMER [6] WITHIN WALL

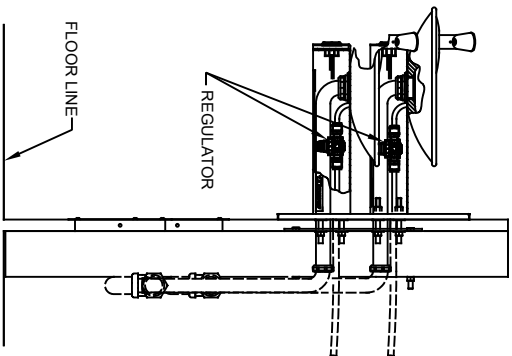
[6] SENSOR 7 EYE

POWER SPLITTER CABLE [6]

SENSOR [6] EYE

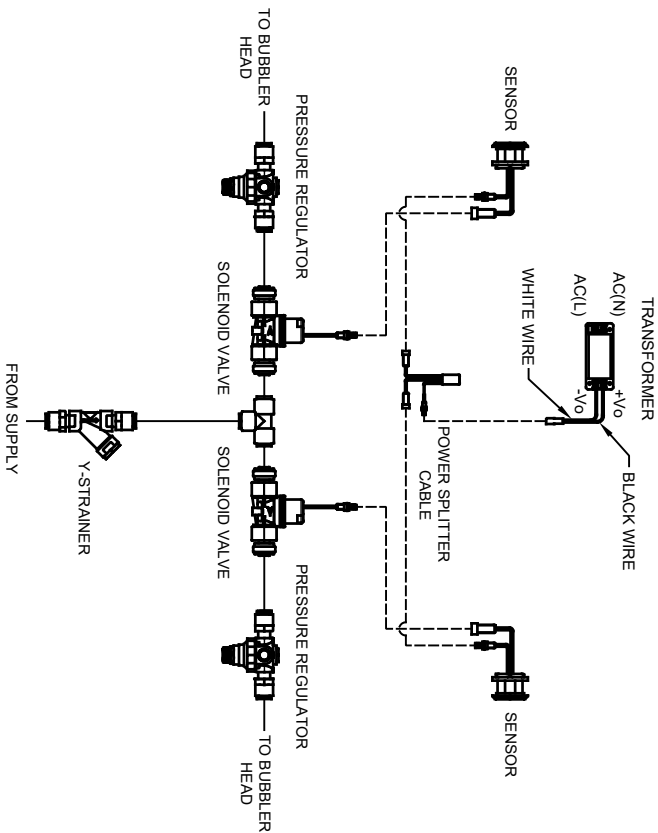


9VDC SOLENOID VALVE



REGULATOR

FLOOR LINE



SENSOR WIRING / SUPPLY PLUMBING SCHEMATIC

MODEL 1011HO2/1011HPSHO2 SHOWN
 MODEL 1011HO/1011HPSHO ON SHEET 1
 (SEE SHEET 1 FOR APPLICABLE ROUGH-IN DIMENSIONS)



Haws

1456 KLEPPE LANE
 SPARKS, NEVADA, 89431
 (775) 359-4712 FAX (775) 359-7424
 E-MAIL: HAWS@HAWSCO.COM
 WEBSITE: WWW.HAWSCO.COM

ECN NO. REVISED PER BY:	MODEL(S)
5579 ECN.5978 DP	1011HO/1011HO2/1011HPSHO/1011HPSHO2
DATE: 09/15/20	CHK'D:
DATE: 04/23/21	SCALE: 1:1
APPROVED: BJM	DRAWING TYPE: INSTALLATION
	SHEET 2 OF 2
	REVISION: 2
	PART NUMBER: 0510001066.D