



model 1501

Wall-Mounted Drinking Fountain

FEATURES & BENEFITS

BUBBLER HEAD

Polished chrome-plated brass bubbler head features an integral basin shank for added strength, and is equipped with a shielded, anti-squirt orifice that provides a steady sanitary source of water.

BARRIER-FREE

Barrier-free capabilities combined with its ease of use allows for a number of installation location possibilities.

INTEGRATED TRAP

Spacious fountain design allows for the trap to be internally mounted which allows for easy access, and aids and reduces the installation process.

MOUNTING

3/16" (.47 cm) steel mounting plate with supplied mounting hardware provides a solid unit base and allows for easy installation to a framed wall.

CONSTRUCTION

Heavy-duty cast iron bowl with a glossy white enamel finish is designed for the toughest of applications, and at the same time is gentle to all users with its soft rounded corners. Unit also ships with vandal-resistant bottom plates to provide added peace of mind.

PUSH BUTTON

With its patented (Pat. # 6,981,692) stainless steel, push-button activated valve assembly which allows for front access stream adjustment as well as cartridge and strainer access, this fountain offers 100% lead free waterways. The valve works at an operating pressure range of 30 to 90 psi (2.1 to 6.2 bar).



SPECIFICATIONS

Model 1501 "Hi-Lo" wall mounted barrier-free drinking fountain shall include dual white enameled-iron basins, push-button operated stainless steel valves with front-accessible cartridge and flow adjustment, 100% lead-free waterways, polished chrome-plated brass vandal-resistant bubbler heads, polished chrome-plated brass vandal-resistant waste strainers, vandal-resistant bottom plates, white powder-coated stainless steel back panel with matching in-wall mounting plate, and 1-1/4" IPS traps. Requires models 1311BOWL & 1311TRIM, and requires model 6715 priced separately.

OPTIONS

- Filter: Model 6426, 12" x 2" (30.5 x 5.1 cm), in-line lead removal element that reduces lead from incoming water supply.
- Support Carrier: Model 6800 universal in-wall mounting support for use with most fountains.
- Chiller: Model HCR8, 8 gph (30.3 L) remote water chiller provides instantaneous cooling to meet a continuous demand for chilled water.

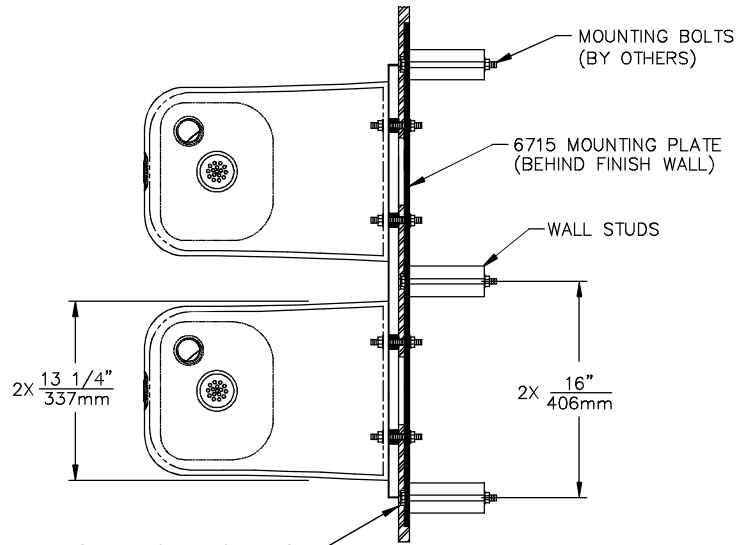
To see all options for this model, visit www.hawsc.com

APPLICATIONS

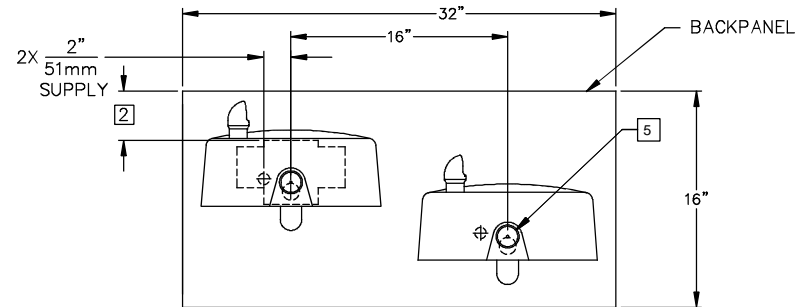
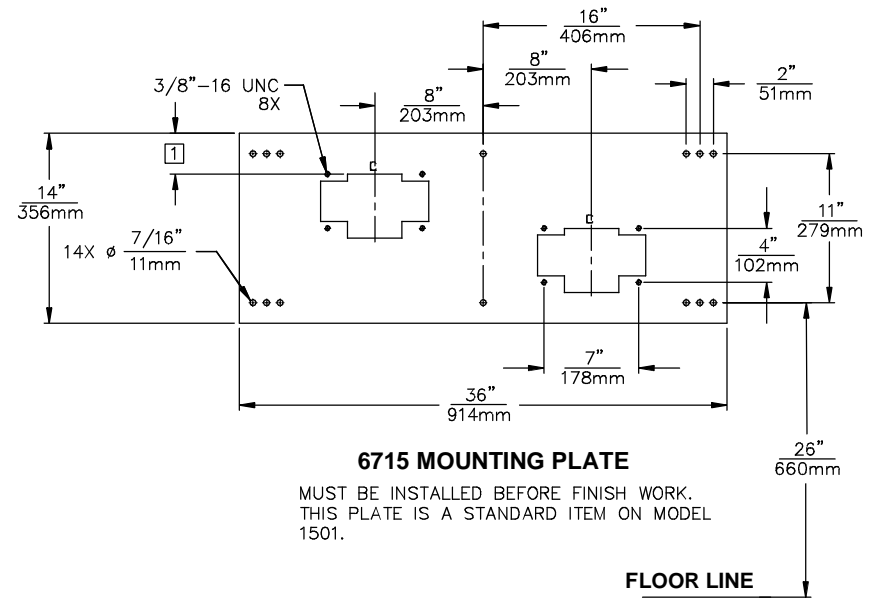
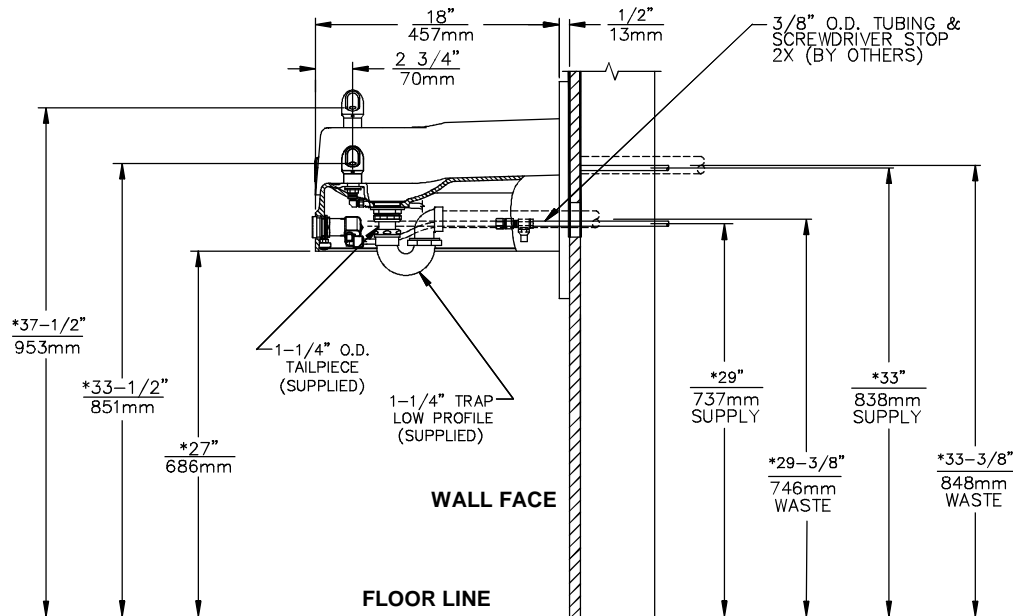
Perfect for either public or private settings, our gleaming white enameled iron series is one of the sturdiest wall mounted fountains Haws produces. This unit is the perfect fit for high traffic areas where there is a greater need for multiple drinking stations. Elegant gloss finish and color consistency throughout the enameled iron maintain the fountain's overall appeal so it always remains looking as new as it did when it was installed. Specifically, this type of wall mounted drinking fountain may be placed in settings such as: parks, schools, and other indoor/outdoor environments where the temperature remains above freezing.

Model meets all current Federal Regulations for the disabled including those in the Americans with Disabilities Act. Haws manufactures drinking fountains and electric water coolers to be lead-free by all known definitions including NSF/ANSI Standard 61, Section 9, California Proposition 65, and the Federal Safe Drinking Water Act. Product is compliant to California Health and Safety Code 116875 (AB 1953-2006).





FINISH WALL OVER MOUNTING PLATE AND BEHIND BACKPANEL. BE CAREFUL THAT FINISHED WALL EXTENDS WITHIN THE HAWS BACKPANEL.



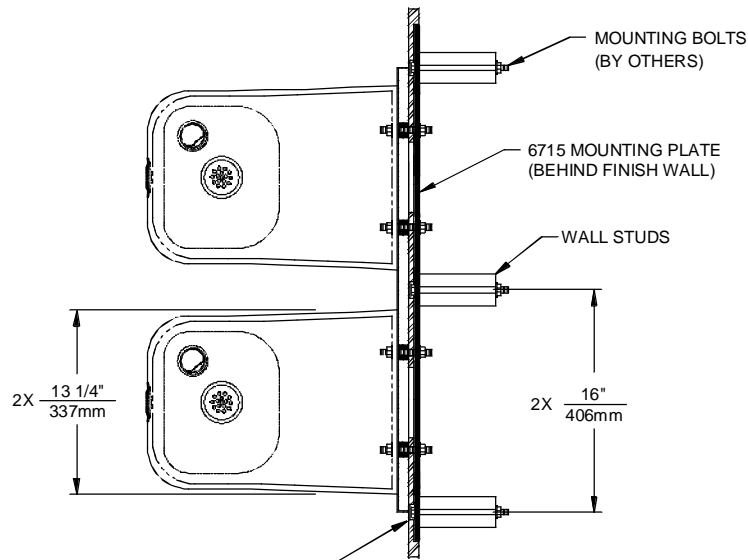
NOTES:

1. 3" DIM TO SLOTTED OPENING ON THE MOUNTING PLATE MUST BE ON THE TOP L.H. SIDE WHEN INSTALLED.
2. $4-5/16$ " DIM TO SLOTTED OPENING ON THE BACKPANEL MUST BE ON TOP L.H. SIDE WHEN INSTALLED.
3. HOLD ROUGH-IN DIMENSIONS $\pm 1/4$ " (6.4MM).
4. WHEN INSTALLING THIS UNIT, LOCAL, STATE, OR FEDERAL CODES SHOULD BE ADHERED TO. FOR INSTALLATION HEIGHTS OTHER THAN SHOWN, DIMENSIONS MARKED (*) MUST BE ADJUSTED ACCORDINGLY.
5. REFER TO 5874SS/VRK5874 OPERATION AND MAINTENANCE MANUAL FOR PUSH BUTTON AND VALVE INSTALLATION/MAINTENANCE INSTRUCTIONS.

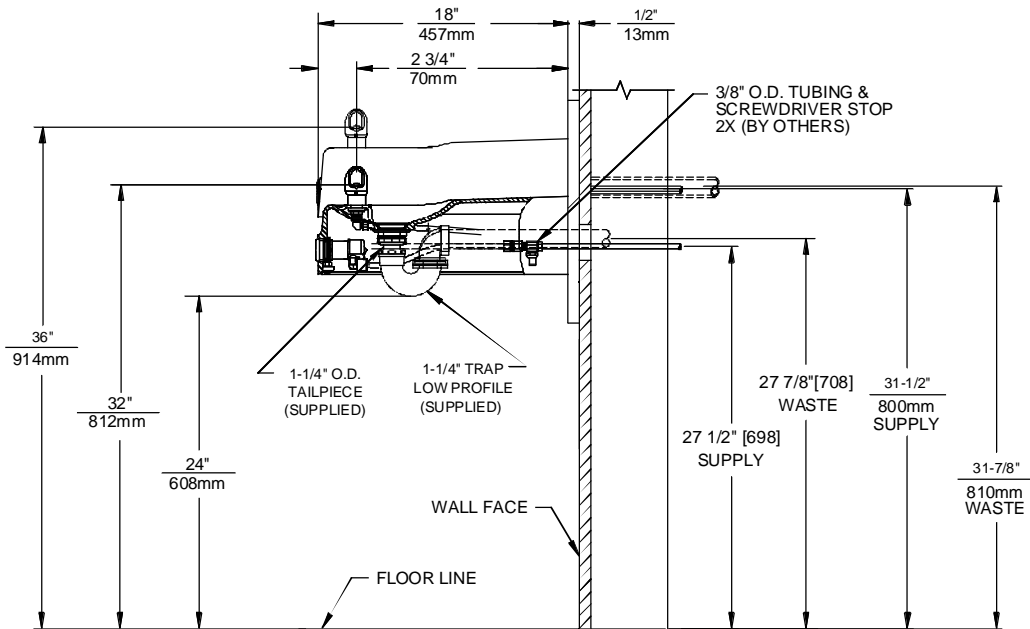


1455 KLEPPE LANE
SPARKS, NEVADA 89431
(775) 359-4712 FAX (775) 359-7424
E-MAIL: HAWS@HAWSCO.COM
WEBSITE: WWW.HAWSCO.COM

ECN NO. REVISED PER BY: ECN: 4733 HN	MODEL(S)	PART NUMBER
DRAWN: DATE: CHK'D:	1501	0002076988.D
F. VASQUEZ 05/15/01		DRAWING NO. REV
APPROVED: DATE:		14939A00 10
SCALE: 1:14	DRAWING TYPE: INSTALLATION	SIZE: A SHEET 1 OF 1

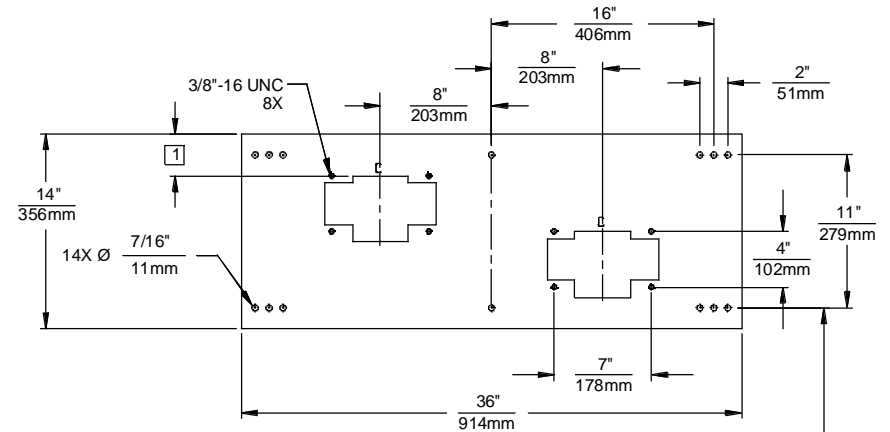


FINISH WALL OVER MOUNTING PLATE AND BEHIND BACKPANEL. BE CAREFUL THAT FINISHED WALL EXTENDS WITHIN THE HAWS BACKPANEL.



NOTES:

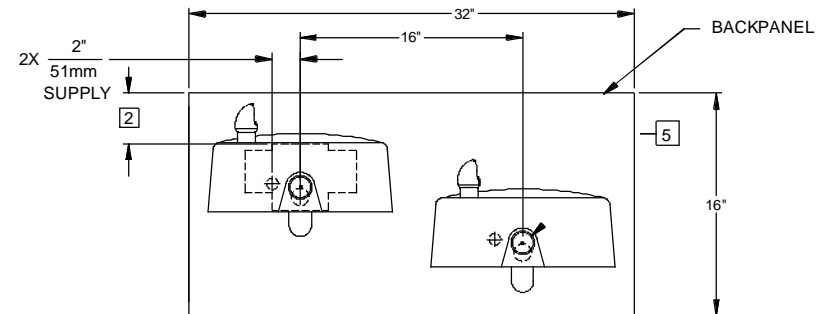
1. 3" DIM TO SLOTTED OPENING ON MOUNTING PLATE MUST BE ON TOP L.H. SIDE WHEN INSTALLED.
2. 4 5/16" DIM TO SLOTTED OPENING ON BACKPANEL MUST BE ON TOP L.H. SIDE WHEN INSTALLED.
3. HOLD ROUGH-IN DIMENSIONS $\pm 1/4"$ (6.4MM).
4. WHEN INSTALLING THIS UNIT, LOCAL, STATE, OR FEDERAL CODES SHOULD BE ADHERED TO. FOR INSTALLATION HEIGHTS OTHER THAN SHOWN, DIMENSIONS MARKED (*) MUST BE ADJUSTED ACCORDINGLY.
5. REFER TO 5874SS/VRK5874 OPERATION AND MAINTENANCE MANUAL FOR PUSH BUTTON AND VALVE INSTALLATION/MAINTENANCE INSTRUCTIONS.



6715 MOUNTING PLATE

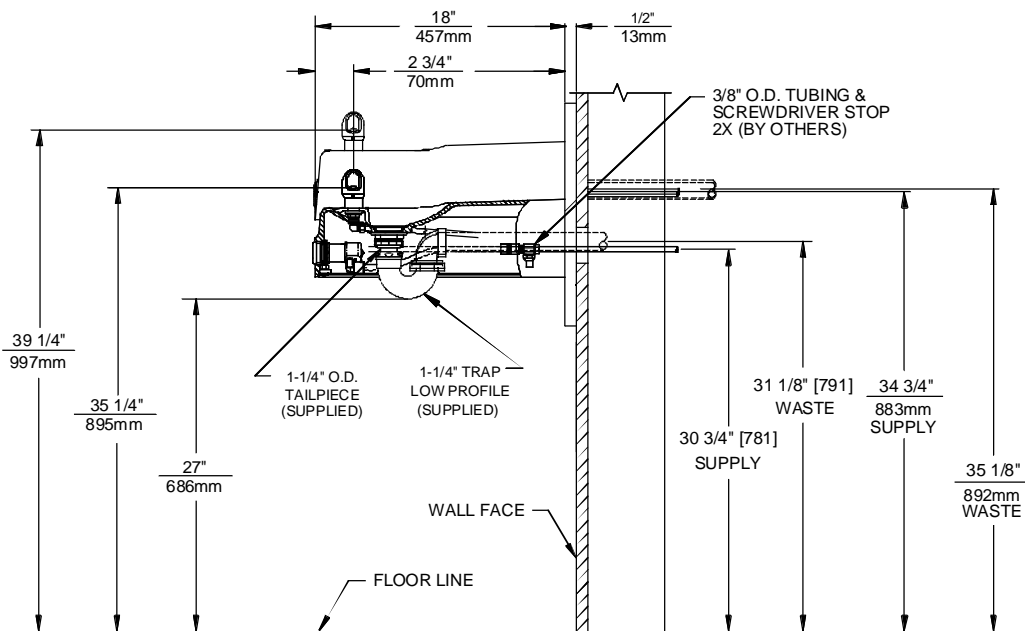
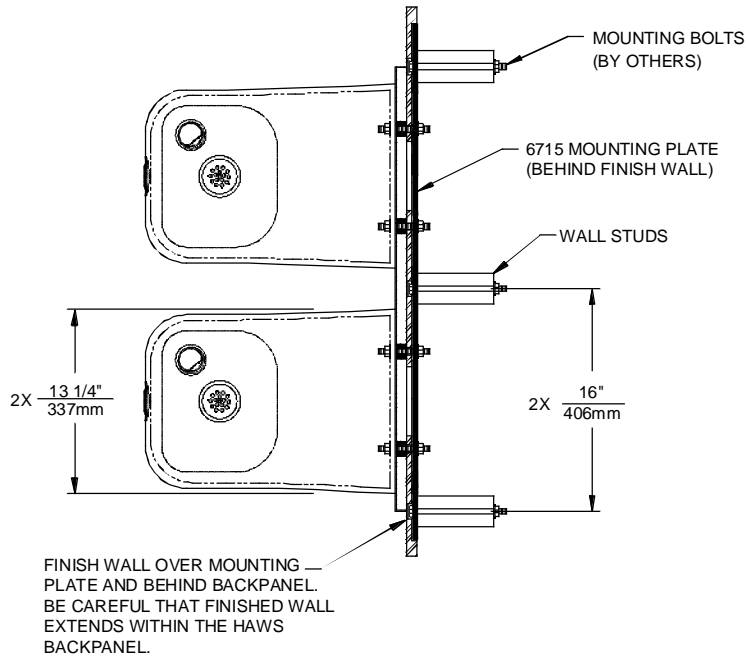
MUST BE INSTALLED BEFORE FINISH WORK. THIS PLATE IS A STANDARD ITEM ON MODEL 1501.

FLOOR LINE



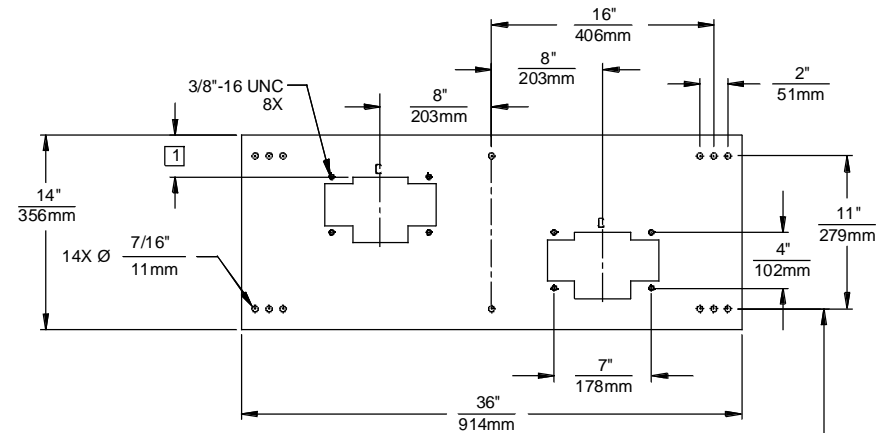
1455 KLEPPE LANE
SPARKS, NEVADA 89431
(775) 359-4712 FAX (775) 359-7424
E-MAIL: HAWS@HAWSCO.COM
WEBSITE: WWW.HAWSCO.COM

ECN NO.	REVISED PER ECN:	BY: VWC	MODEL(S)	PART NUMBER
DRAWN: VWC	DATE: 10/25/12	CHKD.:	1501 CHILD ADA HEIGHT (24" - 32")	2-SP
APPROVED:	DATE:			DRAWING NO. 16231A
			SCALE: 1:14	DRAWING TYPE: INSTALLATION
			SIZE: A	SHEET 1 OF 1

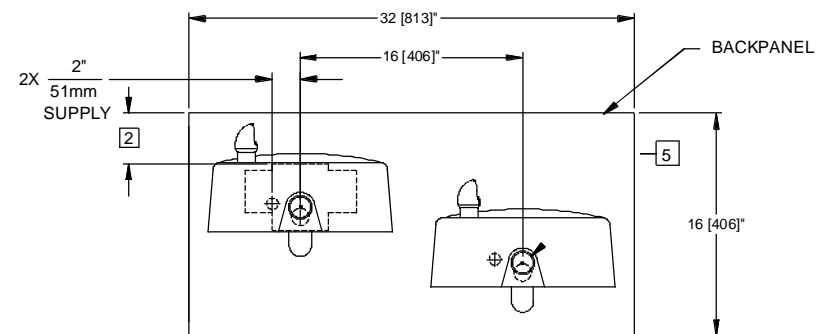


NOTES:

- 1 3" DIM TO SLOTTED OPENING ON MOUNTING PLATE MUST BE ON TOP L.H. SIDE WHEN INSTALLED.
- 2 4 5/16" DIM TO SLOTTED OPENING ON BACKPANEL MUST BE ON TOP L.H. SIDE WHEN INSTALLED.
3. HOLD ROUGH-IN DIMENSIONS $\pm 1/4"$ (6.4MM).
4. WHEN INSTALLING THIS UNIT, LOCAL, STATE, OR FEDERAL CODES SHOULD BE ADHERED TO. FOR INSTALLATION HEIGHTS OTHER THAN SHOWN, DIMENSIONS MARKED (*) MUST BE ADJUSTED ACCORDINGLY.
- 5 REFER TO 5874SS/VRK5874 OPERATION AND MAINTENANCE MANUAL FOR PUSH BUTTON AND VALVE INSTALLATION/MAINTENANCE INSTRUCTIONS.



6715 MOUNTING PLATE
MUST BE INSTALLED BEFORE FINISH WORK.
THIS PLATE IS A STANDARD ITEM ON MODEL 1501.



		1455 KLEPPE LANE SPARKS, NEVADA 89431 (775) 359-4712 FAX (775) 359-7424 E-MAIL: HAWS@HAWS.CO.COM WEBSITE: WWW.HAWS.CO.COM	
		ECN NO. REVISED PER ECN: BY: VWC DATE: 10/25/12 APPROVED: DATE:	MODEL(S) 1501 W/ 27" KNEE CLEARANCE (27" - 36")
SCALE: 1:14		DRAWING TYPE: INSTALLATION	SIZE: A SHEET 1 OF 1