



# model 1RKHO.H

## Fountain HO Sensor and Solenoid Valve Retrofit Kit

### FEATURES & BENEFITS

#### ACTIVATION

Sanitary activation for enhanced hygienic hydration in public places where pushing a valve button is not recommended.

#### SENSOR

Mechanical valve is replaced by infrared sensor technology for reliable operation.

#### TOUCHLESS OPERATION

Touchless electric sensor allows for hands-free operation with a simple front motion, eliminating the need for manual activation.

#### INSTALLATION

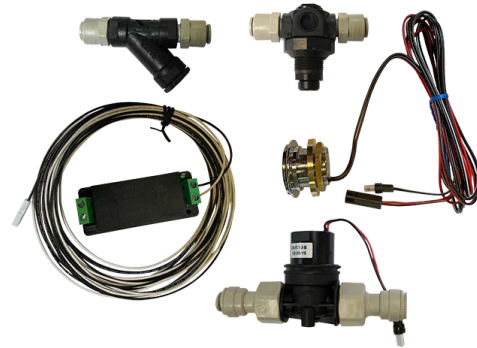
Easy to follow instructions provides quick in-field installation to change a fountain or bottle filler to sensor operation.

#### SYSTEM CERTIFIED

System is certified to NSF61 and the California health and safety code 116875 (AB 1953).

#### TAMPER RESISTANT

30-second obstruction time-out to reduce tampering of sensor.



### SPECIFICATIONS

The Haws 1RKHO.H sensor retrofit kit includes an electric solenoid valve controlled by a sensor that will convert most Haws standard push button operated stainless-steel single drinking fountains and 1920 series bottle fillers to be touchless systems which allows these products to be motion-activated operation. Each kit contains a touchless sensor with 30-second obstruction time-out that activates a stainless steel solenoid valve to start the flow of water, a valve regulator to control the amount of water delivered to the fountain or bottle filler, and a hard-wired transformer. One kit will convert one fountain or bottle filler. Not intended for freeze-resistant models.

**FOR INDOOR USE ONLY**

### APPLICATIONS

Specifically, this kit will work with Haws models: 1001, 1001HPS, 1001HPSMS, 1001MS, 1025, 1047, 1105, 1107L, 1109, 1109.14, 1311, 1920, 1920HPS, 1920W, 1922, H1001.8, H1001.8HPS, H1107.8, and H1109.8 (not intended for freeze-resistant models). Haws manufactures drinking fountains, faucets and electric water coolers to be lead-free by all known definitions including NSF/ANSI/ CAN 61- Section 9, NSF/ANSI/CAN 372, California Proposition 65, and the Federal Safe Drinking Water Act. Product is compliant to California Health and Safety Code 116875 (AB 1953-2006), and NSF/ANSI/CAN 61: Q ≤ 0.5.



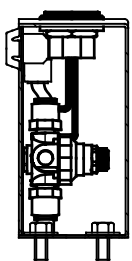
### OPTIONS

For more information, visit [www.hawsc.com](http://www.hawsc.com) or call (888) 640-4297.

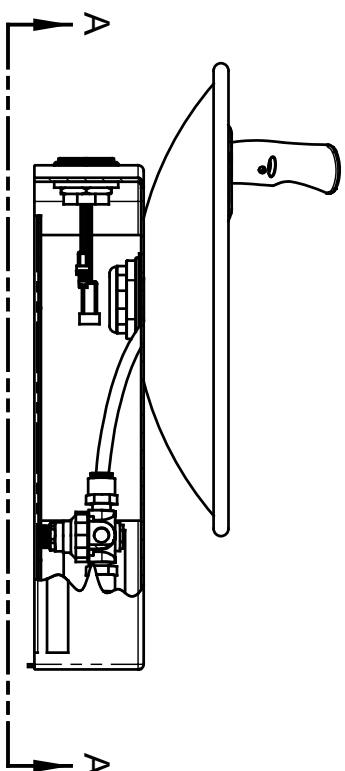
**NOTES:**

- 1RKH0.P AND 1RKH0.H RETROFIT KITS ALLOW INDOOR FOUNTAINS TO BE CONVERTED FROM A HAWS 5874 PUSH BUTTON VALVE TO HANDS-OFF (TOUCHLESS) OPERATION. FOUNTAINS (NOT SUPPLIED) MAY BE MOUNTED ON THE EXTERNAL WALL OF A BUILDING PROVIDED THE TRANSFORMER SHALL BE MOUNTED INSIDE THE WALL AND PROTECTED FROM WATER AS SHOWN IN THIS INSTALLATION PER NEC/CEC AND LOCAL CODE. AVOID DIRECT CONTACT WITH SUNLIGHT ON THE SENSOR LENS.
- RETROFIT KIT MODELS:  
 1RKH0.P: INDOOR HO RETROFIT KIT (INCLUDES HO SENSOR WITH MOUNTING HARDWARE, SOLENOID VALVE, REGULATOR, AND 100-240V PLUG-IN TRANSFORMER - SEE SHEET 2).  
 1RKH0.H: INDOOR HO RETROFIT KIT (INCLUDES HO SENSOR WITH MOUNTING HARDWARE, SOLENOID VALVE, REGULATOR, AND 100-277V HARDWIRE TRANSFORMER - SEE SHEET 3).  
 1RKH0.P REQUIRES 100-240VAC POWER CONNECTION. 1RKH0.H REQUIRES 100-277V POWER CONNECTION.
- TRANSFORMERS MUST BE MOUNTED SUCH THAT THEY ARE PROTECTED FROM WATER.
- 1RKH0.P TRANSFORMER IS COMPATIBLE WITH TYPE A AND TYPE B NORTH AMERICAN ELECTRICAL OUTLETS. FOR OTHER RECEPTACLE TYPES, AN ADAPTER (NOT SUPPLIED) MUST BE PROVIDED BY OTHERS.

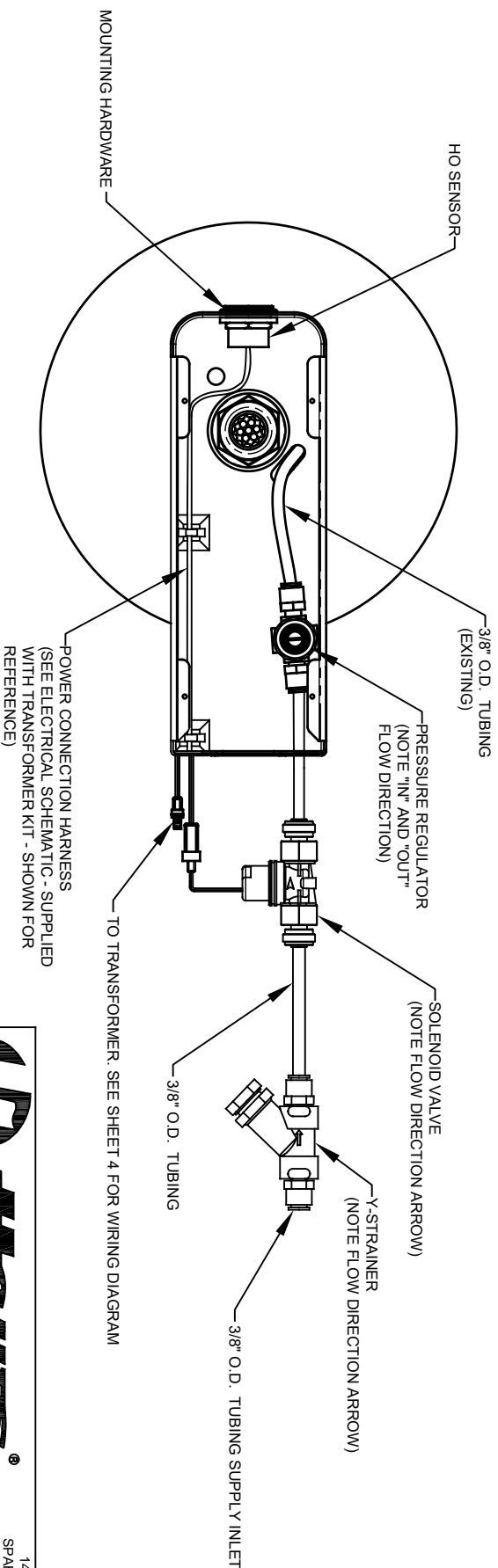
(NOTES CONTINUED ON SHEET 4)



**EXAMPLE 1920 BOTTLE FILLER INSTALLATION**

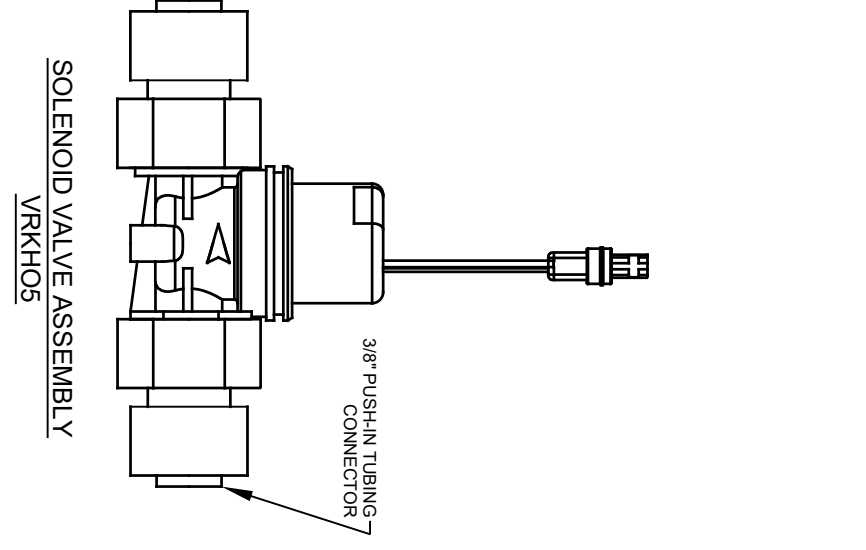
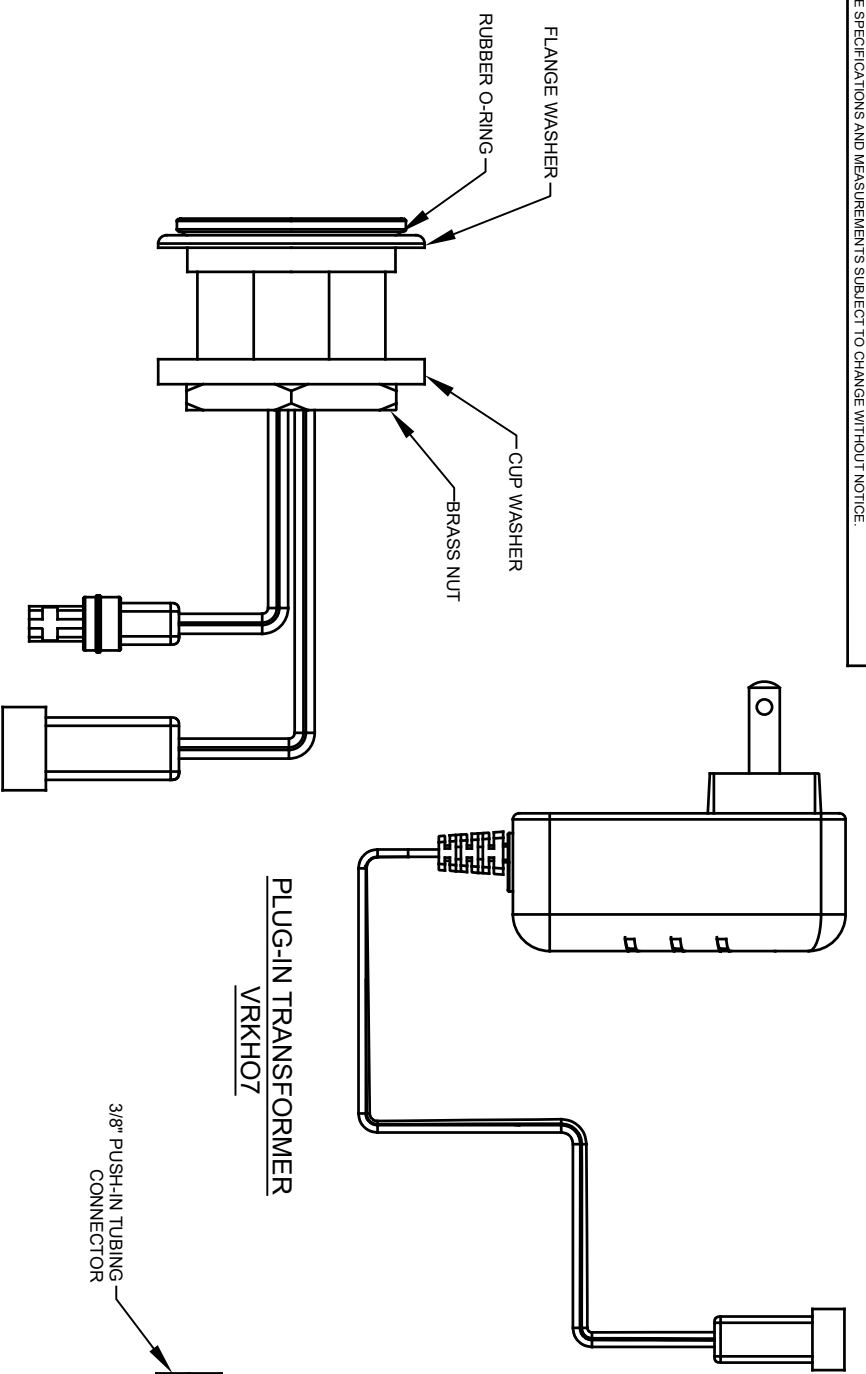


**EXAMPLE 1001 FOUNTAIN INSTALLATION**

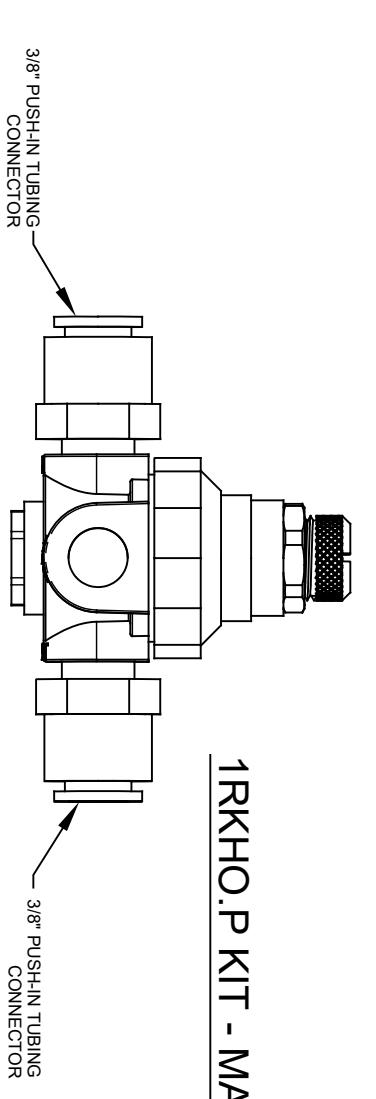


**VIEW A - A**  
(BOTTOM PLATE OMITTED FOR CLARITY)

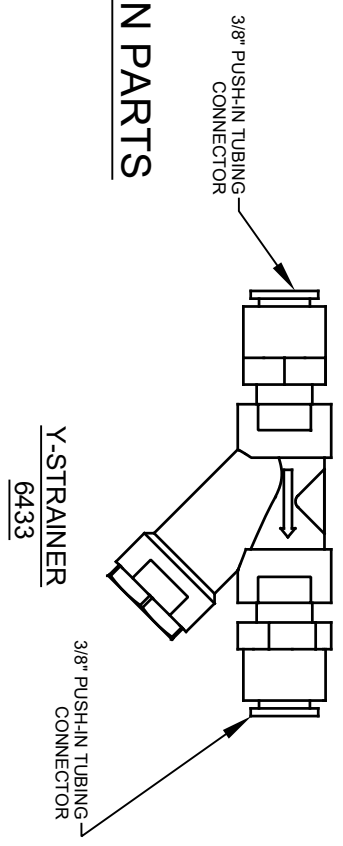
		<b>MODEL(S)</b>	
1459 KLEPPE LANE SPARKS, NEVADA, 89431 (775) 359-4712 FAX (775) 359-7424 E-MAIL: HAWS@HAWS.CO.COM WEBSITE: WWW.HAWS.CO.COM		1RKH0.P / 1RKH0.H SINGLE HANDS-OFF RETROFIT KIT	
ECN NO. REVISED PER BY:	DATE:	CHK'D:	DATE:
5898	1/23/20	EV	
APPROVED:	SCALE:	DRAWING TYPE:	INSTALLATION:
BM	10/20/21	N/A	
PART NUMBER		REVISION	
0580001133.D		5	



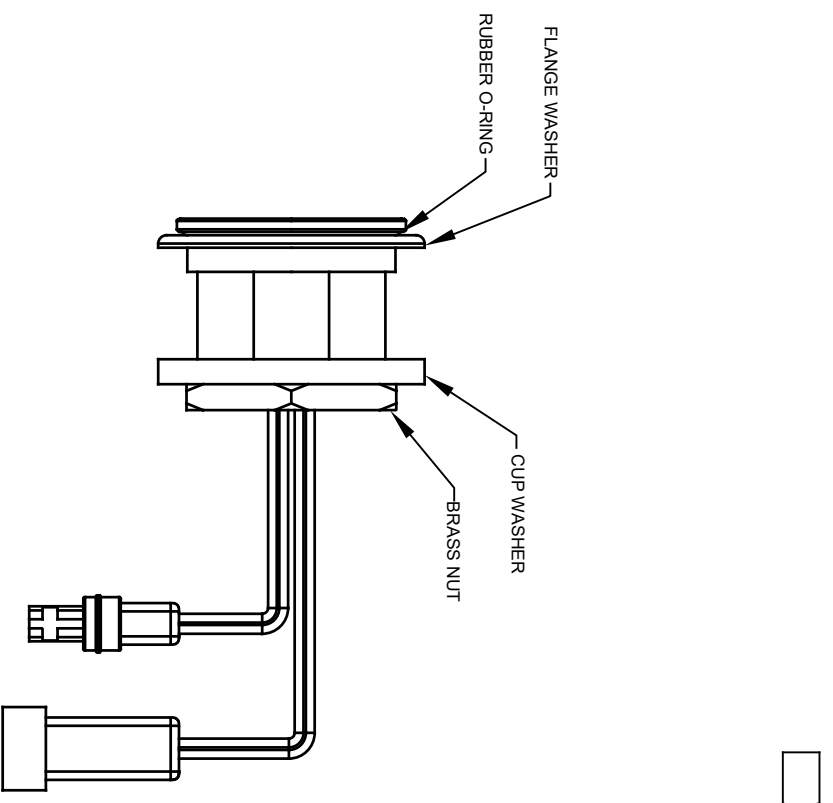
HO SENSOR ASSEMBLY  
VRKH06



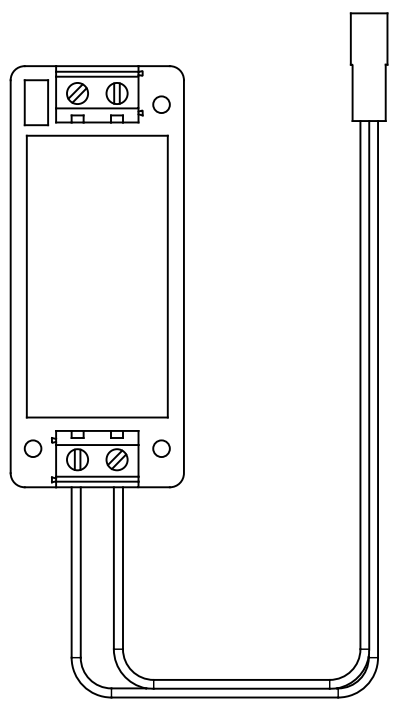
**1RKHO.P KIT - MAIN PARTS**



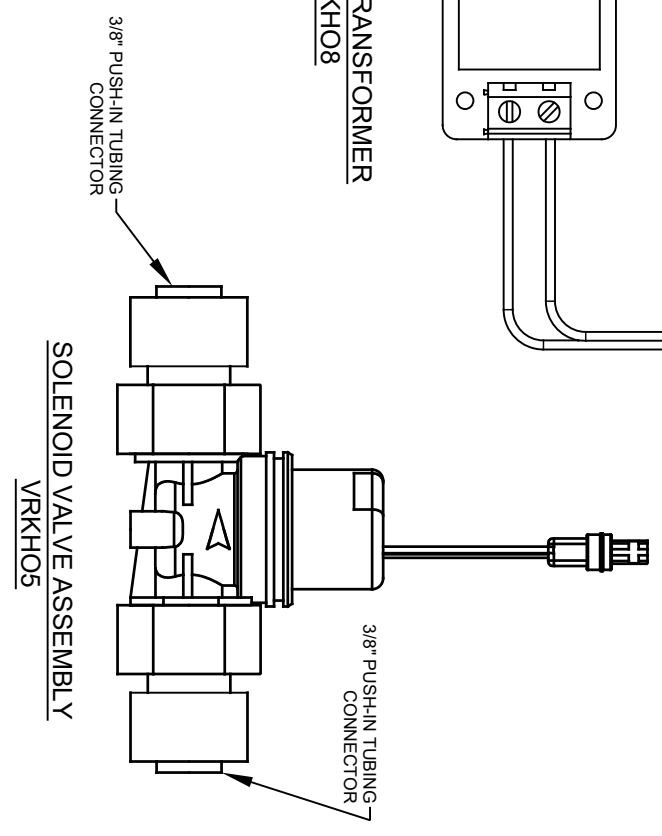
		<b>1459 KLEPPE LANE</b>	
<b>Haws®</b>		SPARKS, NEVADA 89431	
		(775) 359-4712 FAX (775) 359-7424	
		E-MAIL: HAWS@HAWSCO.COM	
		WEBSITE: WWW.HAWSCO.COM	
ECN NO. REVISED PER BY:	MODEL(S)	PART NUMBER	
5898 ECN: 5749 BJM	1RKHO.P / 1RKHO.H	0580001133.D	
DATE: 12/23/20	DATE: 12/23/20	REVISION: 5	
CHK'D: FV	CHK'D: FV	REVISION: 5	
APPROVED: BJM	SCALE: N/A	DRAWING TYPE: INSTALLATION	
DATE: 10/28/21	SCALE: N/A	DRAWING TYPE: INSTALLATION	
APPROVED: BJM	SCALE: N/A	DRAWING TYPE: INSTALLATION	
DATE: 10/28/21	SCALE: N/A	DRAWING TYPE: INSTALLATION	
APPROVED: BJM	SCALE: N/A	DRAWING TYPE: INSTALLATION	
DATE: 10/28/21	SCALE: N/A	DRAWING TYPE: INSTALLATION	
APPROVED: BJM	SCALE: N/A	DRAWING TYPE: INSTALLATION	
DATE: 10/28/21	SCALE: N/A	DRAWING TYPE: INSTALLATION	



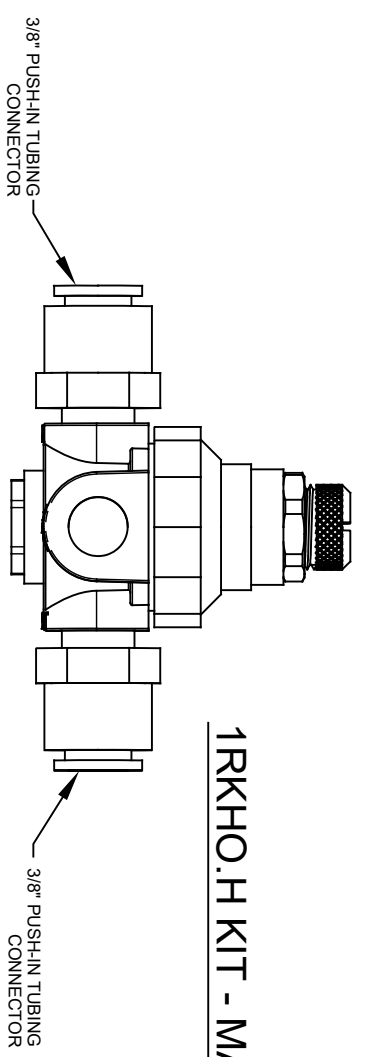
HO SENSOR ASSEMBLY  
VRKH06



HARDWARE TRANSFORMER  
VRKH08

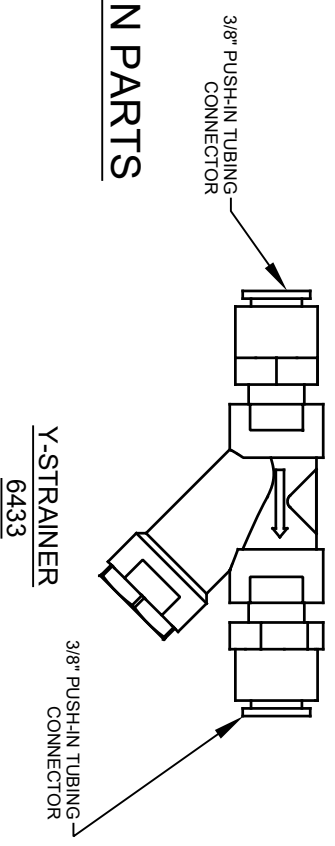


SOLENOID VALVE ASSEMBLY  
VRKH05




VALVE REGULATOR  
5867

1RKHO.H KIT - MAIN PARTS



Y-STRAINER  
6433



**Haws**

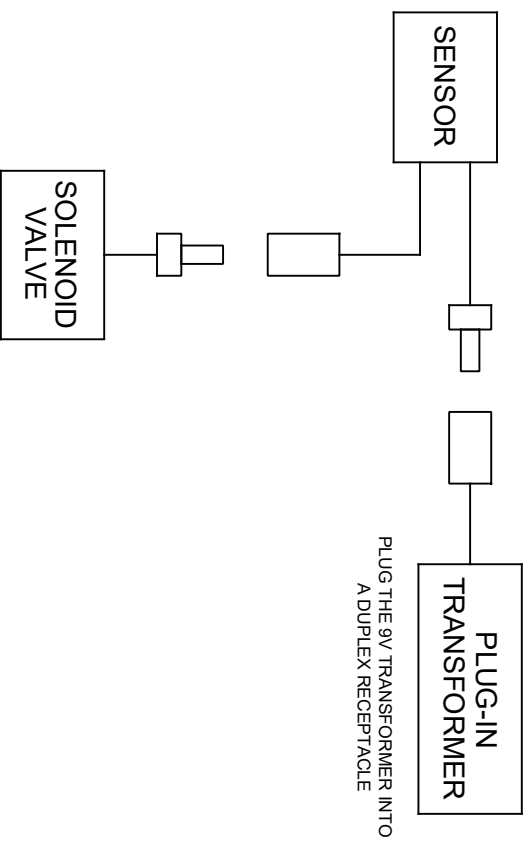
1459 KLEPPE LANE  
SPARKS, NEVADA, 89431  
(775) 359-4712 FAX (775) 359-7424  
E-MAIL: HAWS@HAWSCO.COM  
WEBSITE: WWW.HAWSCO.COM

ECN NO. REVISED PER BY:	5898	ECN. 5749	BLM	MODEL(S)	1RKHO.P / 1RKHO.H
DRAWN:	BLM	DATE:	02/09/21	CHK'D:	BLM
APPROVED:	BLM	DATE:	10/20/21	SCALE:	N/A
				DRAWING TYPE:	INSTALLATION
				SIZE:	A
				SHEET:	3 OF 4
				PART NUMBER	0580001133.D
				REVISION:	4

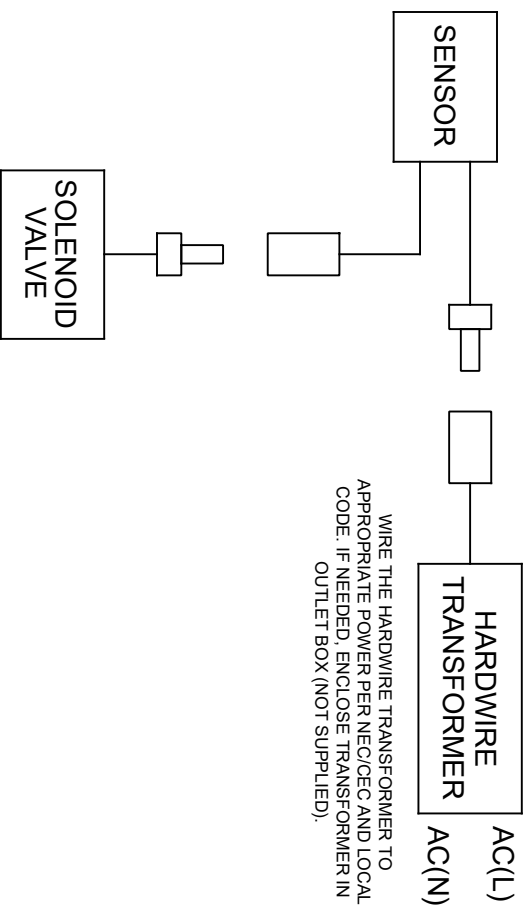
SINGLE HANDS-OFF RETRO-FIT KIT

NOTES (CONTINUED FROM SHEET 1):

- 6. 1RKHO.H TRANSFORMER WIRE RANGE: 24-12 AWG  
1RKHO.H TRANSFORMER TIGHTENING TORQUE: MAX 0.4 N\*m



1RKHO.P CABLE WIRING SCHEMATIC



1RKHO.H CABLE WIRING SCHEMATIC

		<b>Haws</b>	
1459 KLEPPE LANE SPARKS, NEVADA, 89431 (775) 359-4712 FAX (775) 359-7424 E-MAIL: HAWS@HAWSCO.COM WEBSITE: WWW.HAWSCO.COM			
ECN NO. REVISED PER BY:	MODEL(S)	PART NUMBER	
5898	1RKHO.P / 1RKHO.H	0580001133.D	
DRAWN: ECN: 5749	DATE: 1/22/20	CHK'D: FV	REVISION: 5
APPROVED: BIM	SCALE: N/A	DRAWING TYPE: INSTALLATION	SHEET 4 OF 4
SINGLE HANDS-OFF RETRO-FIT KIT			