



model 2RKHO.P

Fountain HO Sensor and Solenoid Valve Retrofit Kit

FEATURES & BENEFITS

ACTIVATION

Sanitary activation for enhanced hygienic hydration in public places where pushing a valve button is not recommended.

SENSOR

Mechanical valve is replaced by infrared sensor technology for reliable operation.

TOUCHLESS OPERATION

Touchless electric sensor allows for hands-free operation with a simple front motion, eliminating the need for manual activation.

INSTALLATION

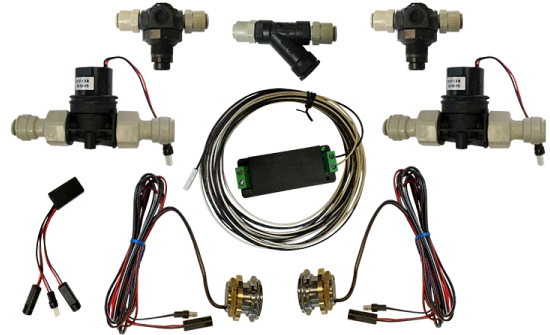
Easy to follow instructions provides quick in-field installation to change a fountain or bottle filler to sensor operation.

SYSTEM CERTIFIED

System is certified to NSF61 and the California health and safety code 116875 (AB 1953).

TAMPER RESISTANT

30-second obstruction time-out to reduce tampering of sensor.



SPECIFICATIONS

The Haws 2RKHO.P sensor retrofit kit includes two electric solenoid valves controlled by sensors that will convert most Haws standard push button operated wall-mounted dual station drinking fountains, or a single fountain-1920 bottle filler combination to be a touchless system which allows these products to have motion-activated operation. Each kit contains touchless sensors with 30-second obstruction time-out that activates a stainless steel solenoid valve to start the flow of water, valve regulators to control the amount of water delivered to the fountain or bottle filler, and a plug-in transformer (mounted inside a wall, away from water). Not intended for freeze-resistant models.

FOR INDOOR USE ONLY

APPLICATIONS

Specifically, this kit will work with Haws Models: 1011, 1011HPS, 1011HPSMS, 1011MS, 1117L, 1117LN, 1119, 1119.14, 1409, 1430, 1431, 1441, 1501, H1011.8, H1011.8HPS, H1117.8 and H1119.8. This kit can also be used with the single fountain-1920 bottle filler combination models (not intended for freeze-resistant models). Haws manufactures drinking fountains, faucets and electric water coolers to be lead-free by all known definitions including NSF/ANSI/CAN 61- Section 9, NSF/ANSI/CAN 372, California Proposition 65, and the Federal Safe Drinking Water Act. Product is compliant to California Health and Safety Code 116875 (AB 1953-2006), and NSF/ANSI/CAN 61: Q ≤ 0.5.



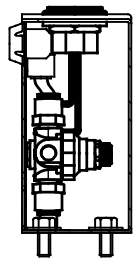
OPTIONS

For more information, visit www.hawasco.com or call (888) 640-4297.

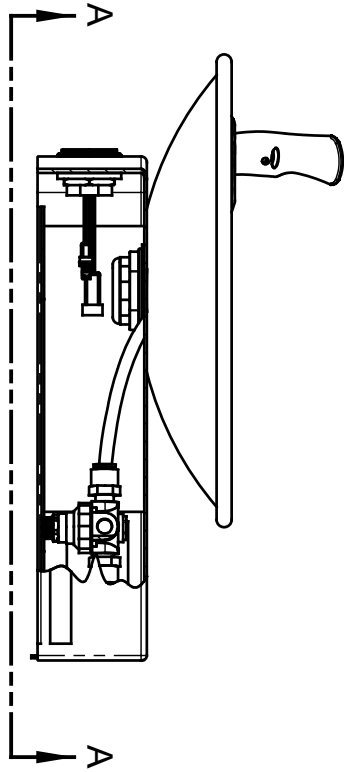
NOTES:

1. 2RKHO.P AND 2RKHO.H RETROFIT KITS ALLOW INDOOR FOUNTAINS TO BE CONVERTED FROM A HAWS 5874 PUSH BUTTON VALVE TO HANDS-OFF (TOUCHLESS) OPERATION. FOUNTAINS (NOT SUPPLIED) MAY BE MOUNTED ON THE EXTERNAL WALL OF A BUILDING PROVIDED THE TRANSFORMER SHALL BE MOUNTED INSIDE THE WALL AND PROTECTED FROM WATER AS SHOWN IN THIS INSTALLATION PER NEC/CEC AND LOCAL CODE. AVOID DIRECT CONTACT WITH SUNLIGHT ON THE SENSOR LENS.
2. RETROFIT KIT MODEL:
2RKHO.P: INDOOR HO RETRO-FIT KIT (INCLUDES 2X HO SENSOR WITH MOUNTING HARDWARE, 2X SOLENOID VALVE, 2X REGULATOR, WIRE SPLITTER, AND 100-240V PLUG-IN TRANSFORMER - SEE SHEET 2).
2RKHO.H: INDOOR HO RETRO-FIT KIT (INCLUDES 2X HO SENSOR WITH MOUNTING HARDWARE, 2X SOLENOID VALVE, 2X REGULATOR, WIRE SPLITTER, AND 100-277V HARDWIRE TRANSFORMER - SEE SHEET 3).
3. 2RKHO.P REQUIRES 100-240VAC POWER CONNECTION. 2RKHO.H REQUIRES 100-277V POWER CONNECTION.
4. TRANSFORMERS MUST BE MOUNTED SUCH THAT THEY ARE PROTECTED FROM WATER.
5. 2RKHO.P TRANSFORMER IS COMPATIBLE WITH TYPE A AND TYPE B NORTH AMERICAN ELECTRICAL OUTLETS. FOR OTHER RECEPTACLE TYPES, AN ADAPTER (NOT SUPPLIED) MUST BE PROVIDED BY OTHERS.

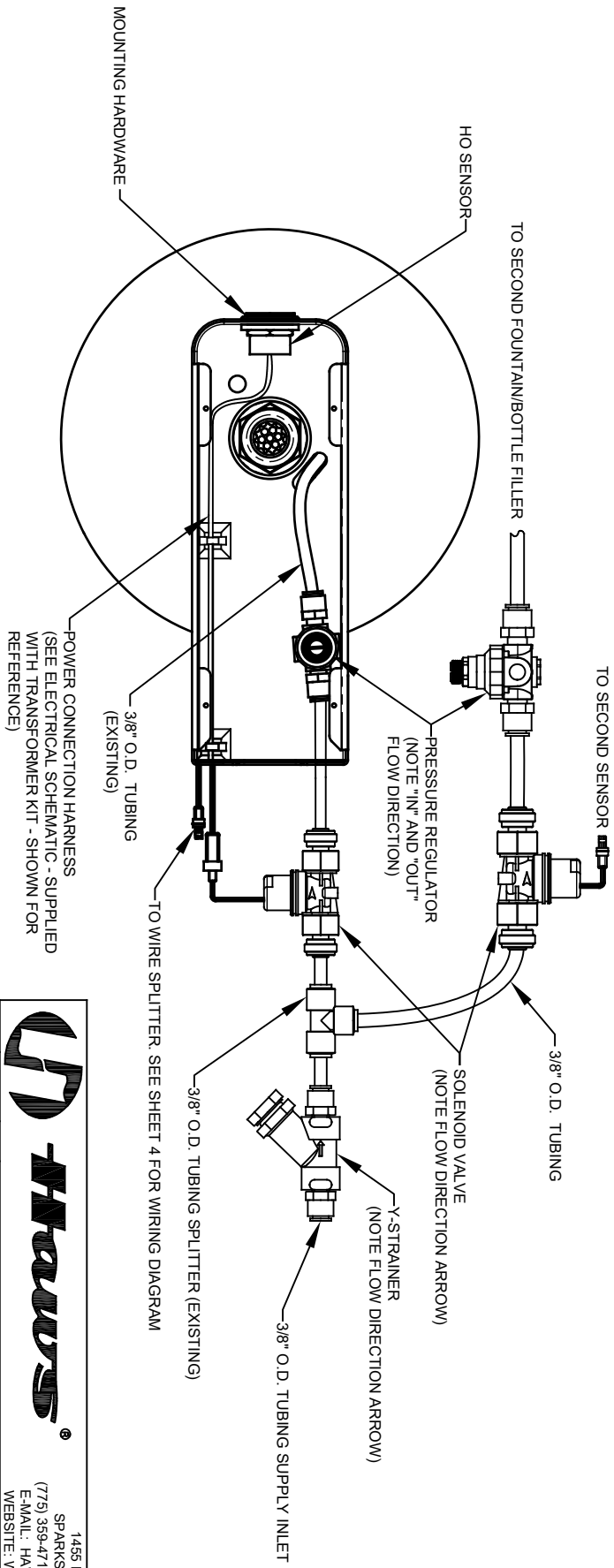
(NOTES CONTINUED ON SHEET 4)



EXAMPLE 1920 BOTTLE FILLER INSTALLATION



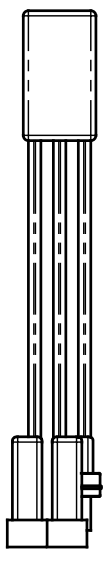
EXAMPLE 1011 FOUNTAIN INSTALLATION



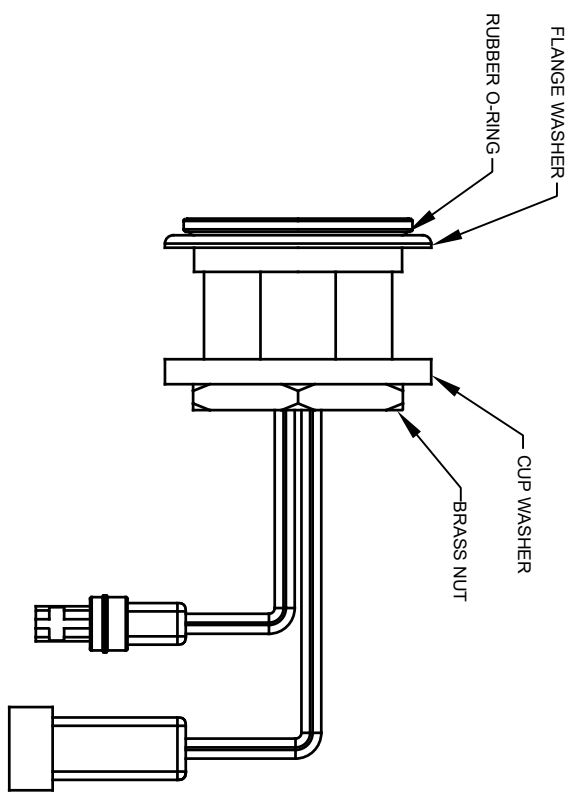
VIEW A - A

(BOTTOM PLATE OMITTED FOR CLARITY)

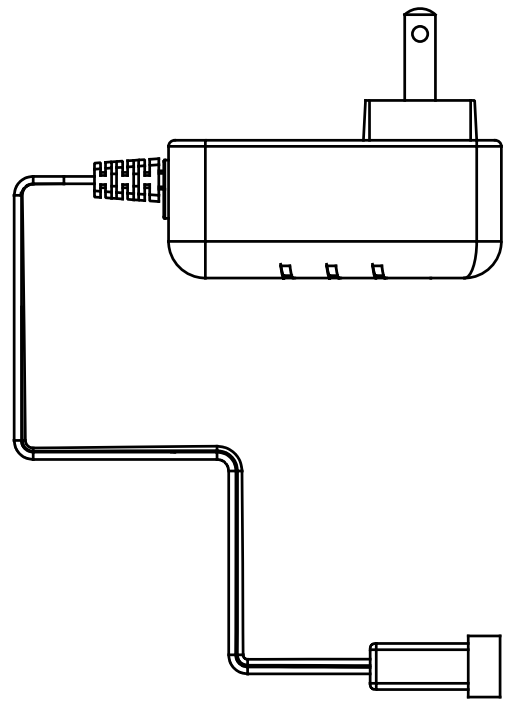
		MODEL(S)		2RKHO.P / 2RKHO.H	
1456 KLEPPE LANE SPARKS, NEVADA, 89431 (775) 359-4712 FAX (775) 359-7424 E-MAIL: HAWS@HAWSCO.COM WEBSITE: WWW.HAWSCO.COM		DUAL HANDS-OFF RETRO-FIT KIT		PART NUMBER 0580001156.D	
ECN NO. REVISED PER BY:	5849	ECN. 5749	BJM	DATE:	02/10/21
APPROVED:	BJM	DATE:	10/28/21	SCALE:	N/A
DRAWN:	BJM	CHK'D:	FV	DRAWING TYPE:	INSTALLATION
SIZE:	A	SHEET:	1	OF:	4



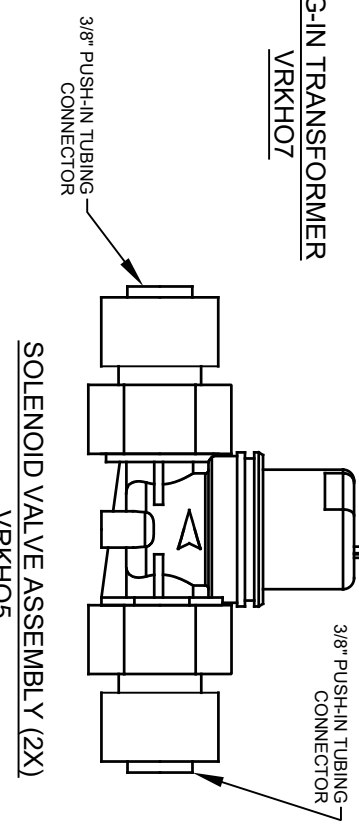
DUAL POWER SPLITTER



FLANGE WASHER
RUBBER O-RING
CUP WASHER
BRASS NUT

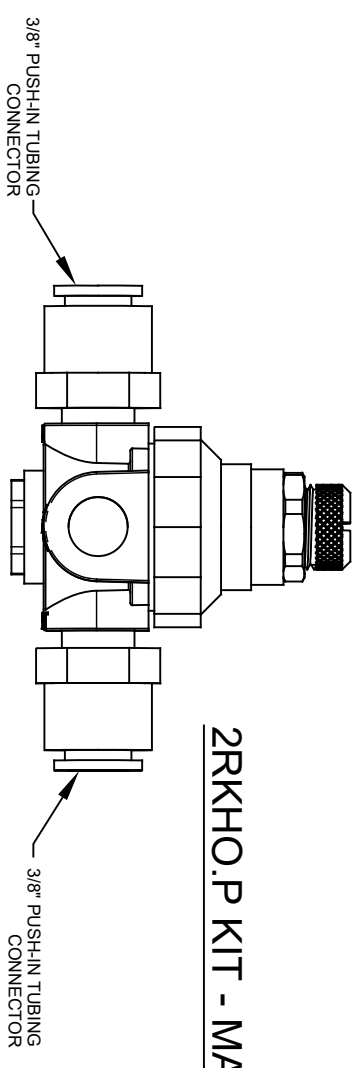


PLUG-IN TRANSFORMER
VRKH07



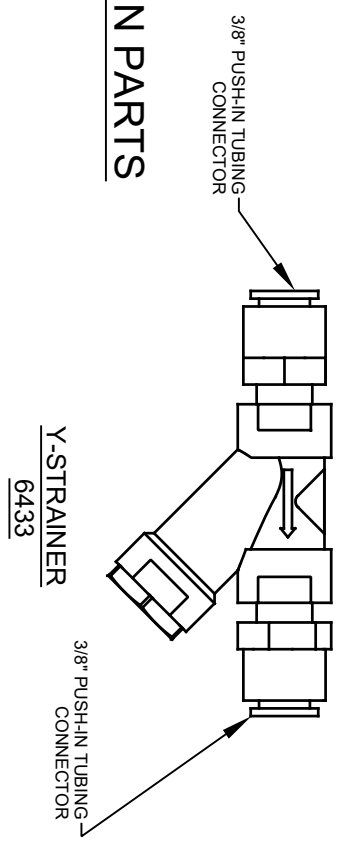
SOLENOID VALVE ASSEMBLY (2X)
VRKH05

HO SENSOR ASSEMBLY (2X)
VRKH06



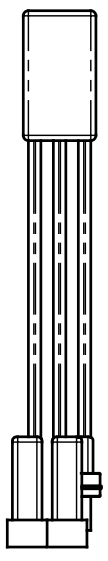
VALVE REGULATOR (2X)
5867

2RKHO.P KIT - MAIN PARTS

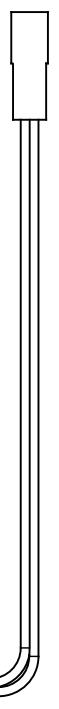


Y-STRAINER
6433

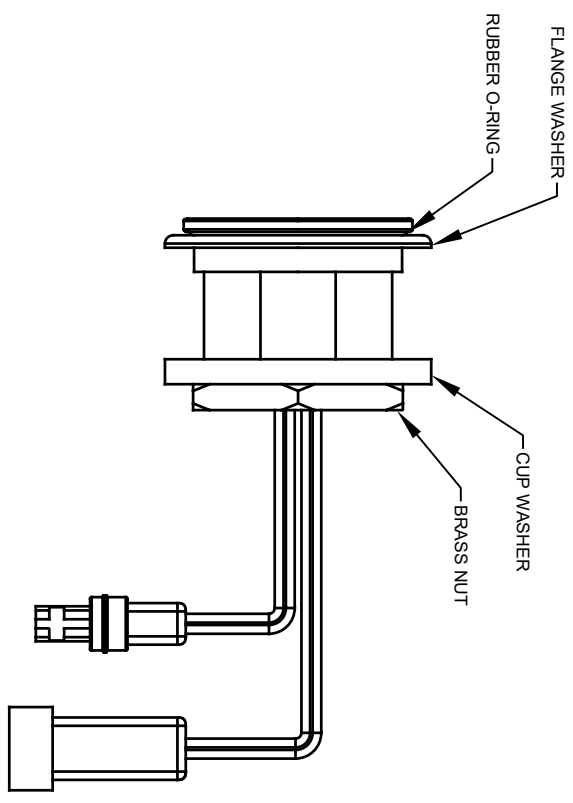
		Haws	
1459 KLEPPE LANE SPARKS, NEVADA 89431 (775) 359-4712 FAX (775) 359-7424 E-MAIL: HAWS@HAWS.CO.COM WEBSITE: WWW.HAWS.CO.COM			
ECN NO. REVISED PER BY:	5849 BLM	MODEL(S)	2RKHO.P / 2RKHO.H
DRAWN:	DATE: 02/10/21	CHK'D:	BLM
APPROVED:	DATE: 10/28/21	SCALE:	N/A
DUAL HANDS-OFF RETRO-FIT KIT		DRAWING TYPE:	INSTALLATION
PART NUMBER	0580001156.D	SIZE:	A
REVISION:	4	SHEET:	2 OF 4



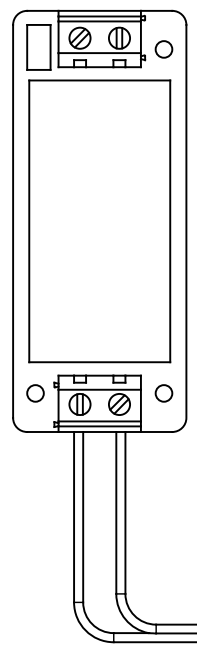
DUAL POWER SPLITTER



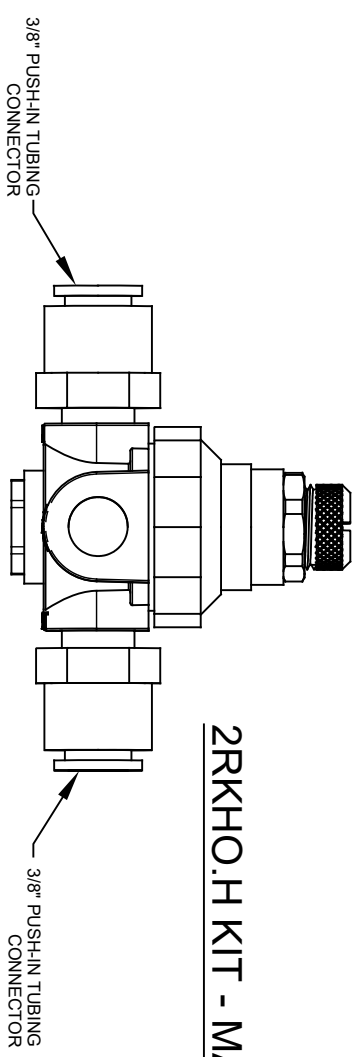
HARDWARE TRANSFORMER
VRKH08



HO SENSOR ASSEMBLY (2X)
VRKH06

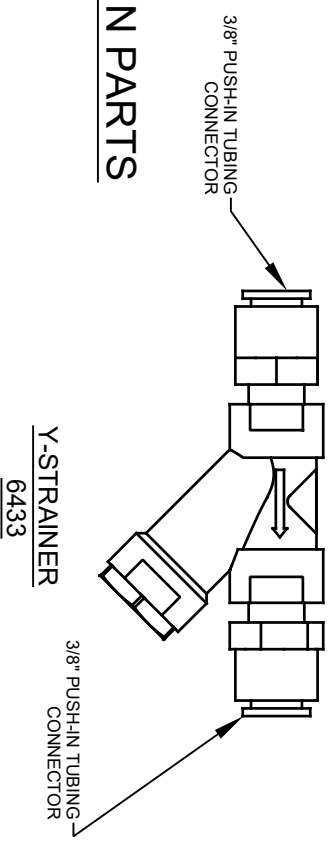


SOLENOID VALVE ASSEMBLY (2X)
VRKH05



VALVE REGULATOR (2X)
5867

2RKHO.H KIT - MAIN PARTS

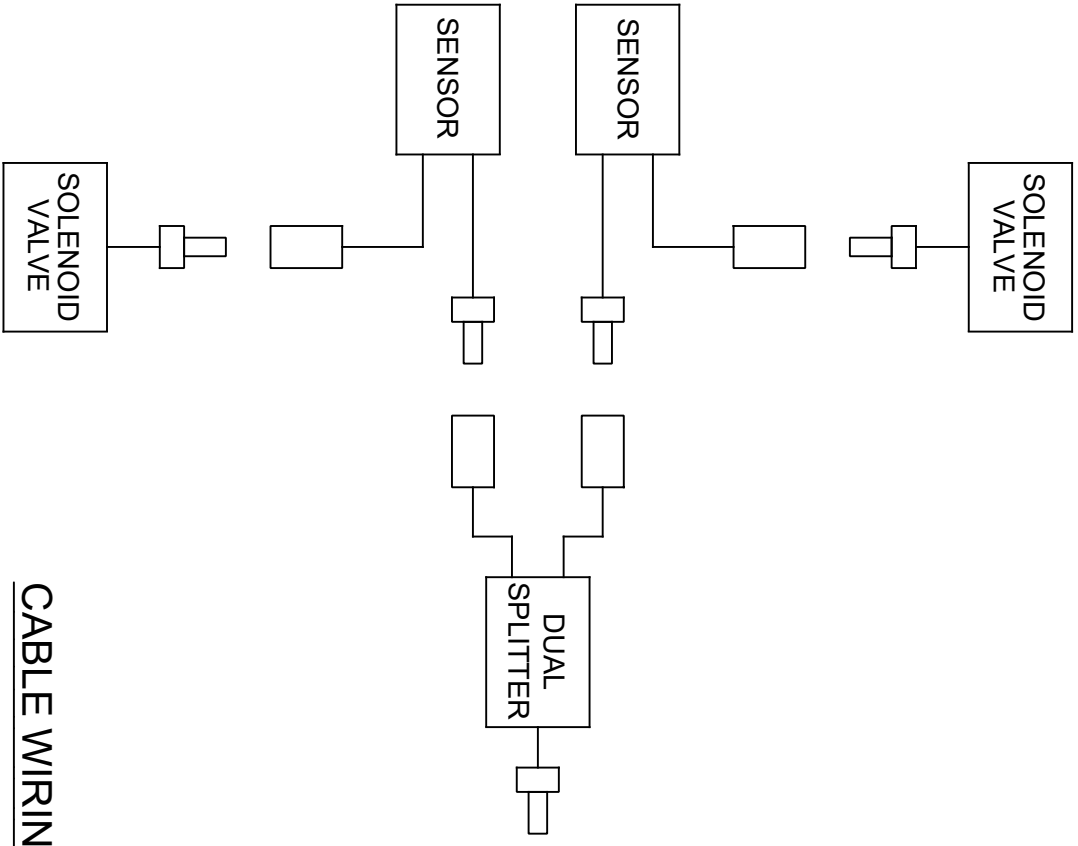


Y-STRAINER
6433

		Haws	
1456 KLEPPE LANE SPARKS, NEVADA 89431 (775) 359-4712 FAX (775) 359-7424 E-MAIL: HAWS@HAWSCO.COM WEBSITE: WWW.HAWSCO.COM			
ECN NO. REVISED PER BY: 5849 B.M.	DATE: 02/10/21	MODEL(S)	2RKHO.P / 2RKHO.H
DRAWN: B.M.	CHK'D: F.V.	DUAL HANDS-OFF RETRO-FIT KIT	
APPROVED: B.M.	DATE: 10/20/21	SCALE: N/A	DRAWING TYPE: INSTALLATION
PART NUMBER: 0580001156.D		REVISION: 4	SHEET 3 OF 4

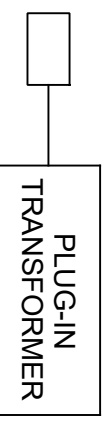
NOTES (CONTINUED FROM SHEET 1):

- 6. 2RKHO.H TRANSFORMER WIRE RANGE: 24-12 AWG
2RKHO.H TRANSFORMER TIGHTENING TORQUE: MAX 0.4 N*m



CABLE WIRING SCHEMATIC

2RKHO.H TRANSFORMER



2RKHO.P TRANSFORMER



Haws

1459 KLEPPE LANE
SPARKS, NEVADA, 89431
(775) 359-4712 FAX (775) 359-7424
E-MAIL: HAWS@HAWS.CO.COM
WEBSITE: WWW.HAWS.CO.COM

ECN NO. REVISED PER BY:	MODEL(S)	PART NUMBER
5849	2RKHO.P / 2RKHO.H	0580001156.D
DATE: 02/10/21	DUAL HANDS-OFF RETRO-FIT KIT	REVISION: 4
DATE: 10/20/21	SCALE: N/A	SHEET 4 OF 4
DATE: 02/10/21	DRAWING TYPE: INSTALLATION	
DATE: 10/20/21		