



model 3150FR

Pedestal-Mounted Drinking Fountain

FEATURES & BENEFITS

BUBBLER HEAD

Polished chrome-plated brass bubbler head features an integral basin shank for added strength, and is equipped with a shielded, anti-squirt orifice that provides a steady sanitary source of water.

DRAIN CLEAN-OUT

Top-down access to the drain allows the fountain to be cleaned without taking the unit apart, which is ideal for outdoor settings that are high in drain-clogging sediment like leaves, garbage, and other debris.

ALL-WEATHER CAPABILITIES

Fully engineered system with the pneumatic operated freeze-resistant valve installed below frost line to drain water to non-freezing depth allowing fountain to function year-round. Assembly can be lifted to surface and lowered back into casing for easy maintenance without disturbing the fountain.

CONSTRUCTION

Heavy-duty vibra-cast reinforced concrete construction with exposed aggregate finish provide a perfect addition to outside environments, along with vandal-resistant bottom and access plates for added peace of mind. Stainless steel basin with a high-polished finish compliments almost any setting, and it also resists stains and corrosion.

PUSH BUTTON

Polished chrome-plated push-button requires less than 5 lbs. (2.7 kg) of push force to activate.

BARRIER-FREE

Configurable to Adult or Child barrier-free capabilities combined with its ease of use allows for a number of installation location possibilities.



SPECIFICATIONS

Model 3150FR "Hi-Lo" adult or child barrier-free freeze-resistant, square, vibra-cast reinforced concrete pedestal drinking fountain shall include polished stainless steel basins, hood extensions to protect the chrome-plated brass bubbler heads, adjustable height child ADA capable arm, polished chrome-plated vandal-resistant waste strainers that allow for top down access, and push-button activated pneumatic valve system. Portland Gray in color with exposed aggregate finish and wire reinforced, and 1-1/2" slip waste.

APPLICATIONS

Perfect for either public or private settings, our concrete vibra-cast series is a great fit in "open-air" environments. Suitable in areas where weather conditions may be cause for concern, this series stands strong against any element. Reinforced concrete design not only protects from corrosion, its Portland Gray color makes it recognizable enough to locate without compromising the outdoor atmosphere. This type of pedestal drinking fountain may also be placed in a variety of settings such as: parks, schools, and other recreational outdoor environments where the temperature may drop into freezing conditions.

Model meets all current Federal Regulations for the disabled including those in the Americans with Disabilities Act. Haws manufactures drinking fountains and electric water coolers to be lead-free by all known definitions including NSF/ANSI Standard 61, Section 9, California Proposition 65, and the Federal Safe Drinking Water Act. Product is compliant to California Health and Safety Code 116875 (AB 1953-2006).

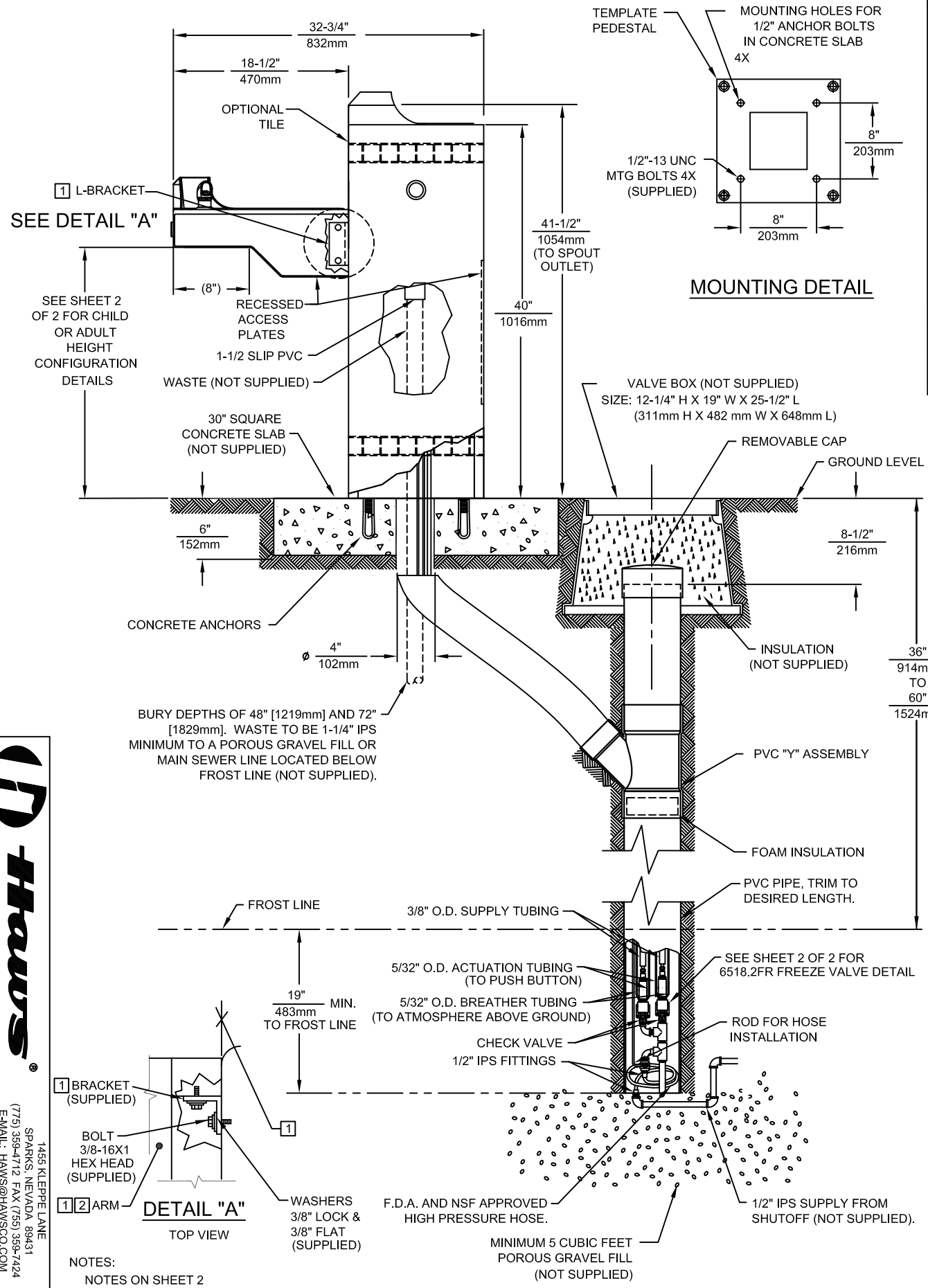
OPTIONS

- ❑ Step: Model 6620, matching square concrete step for square concrete pedestals, 10" (25.4 cm) high.
- ❑ Inlaid Tile: Special 2" x 2" tile may be provided or specified. Provide sample for special quotation.

To see all options for this model, visit www.hawesco.com



THIS DOCUMENT IS TRUE AND CORRECT AT TIME OF PUBLICATION. CONTINUED PRODUCT IMPROVEMENTS MAKE SPECIFICATIONS AND MEASUREMENTS SUBJECT TO CHANGE WITHOUT NOTICE.



©2012 Haws Corporation - All Rights Reserved. HAWS® and other trademarks used in these materials are the exclusive property of Haws Corporation.

Haws		1485 KLEPPE LANE SPARKS, NEVADA 89431 (775) 359-4712 FAX (752) 359-7424 E-MAIL: HAWS@HAWSCO.COM WEBSITE: WWW.HAWSCO.COM	
ECN NO. REVISED PER BY:	MODEL(S)	PART NUMBER	3150FR
DRAWN: ECN-4725	DATE: 09/29/02	CHK'D:	
APPROVED:	SCALE: 1:1	DRAWING TYPE:	INSTALLATION
DRAWING NO. 10384C00	SHEET 1 OF 2	REV	16

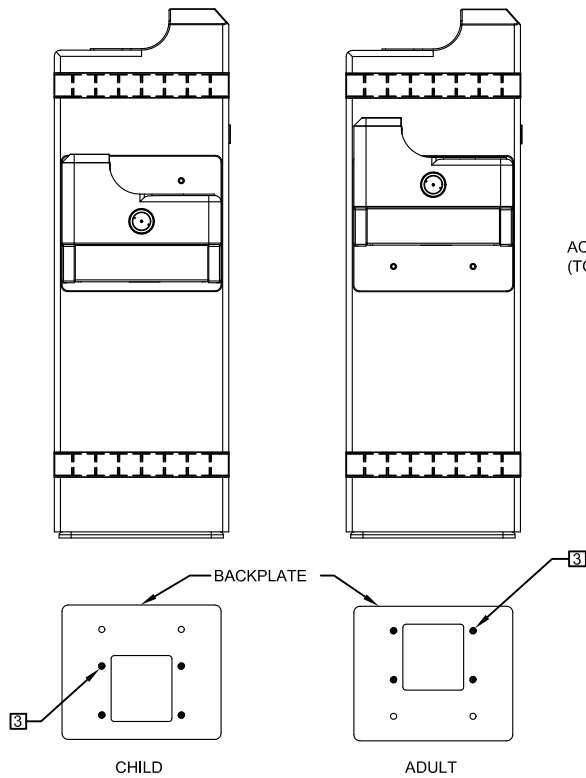
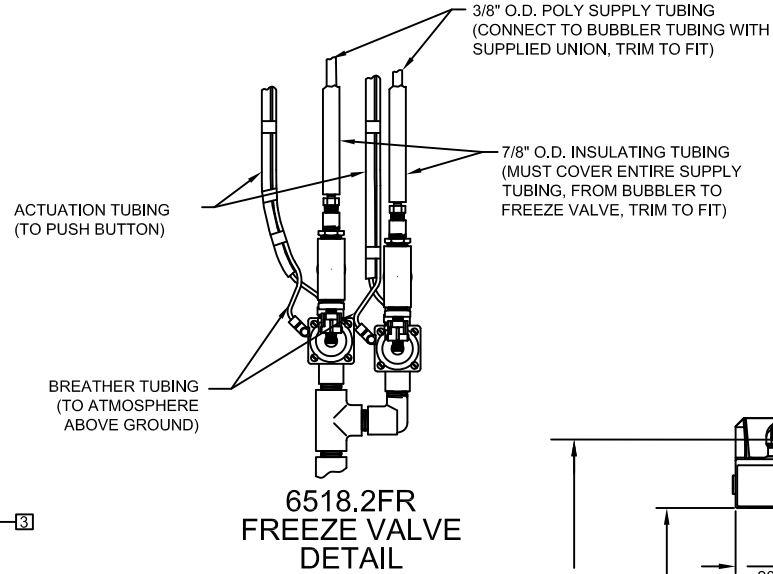


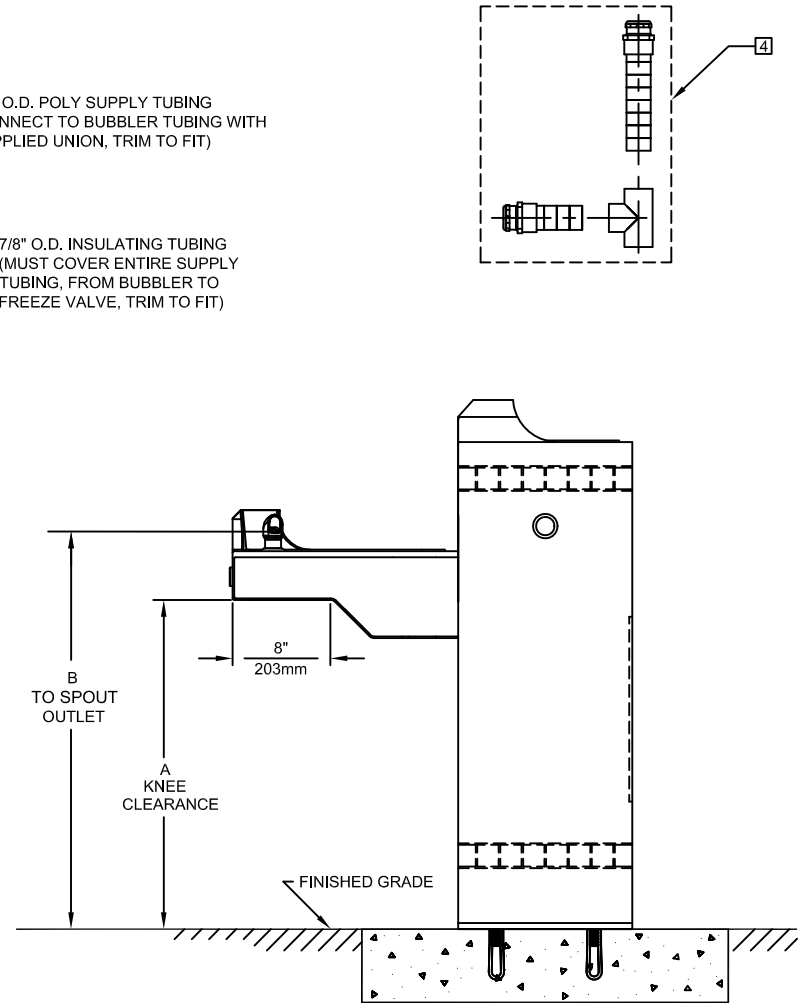
FIGURE 1

NOTES:

- 1** PROCEDURE FOR ASSEMBLING ARM TO PEDESTAL:
IMPORTANT: L-BRACKETS ARE PRE-ASSEMBLED AND **MUST NOT** BE LOOSENED FOR ANY REASON.
STEP 1: ATTACH ENTIRE ARM ASSEMBLY TO MOUNTING PLATE ON PEDESTAL USING 3/8"-16 X 1" BOLTS AND WASHERS (SUPPLIED) AND TIGHTEN SECURELY IN PLACE.
STEP 2: (OPTIONAL) APPLY CAULKING AS NEEDED TO FILL ANY GAP PRESENT BETWEEN ARM AND PEDESTAL.
- 2** SIDE ARM IS ADJUSTABLE TO ACCOMODATE EITHER CHILD OR ADULT HEIGHTS (SEE "AVAILABLE ARM HEIGHTS" CHART).
- 3** BASED ON DESIRED HEIGHT (CHILD OR ADULT) OF ARM, ORIENT BACKPLATE AS SHOWN IN FIGURE 1 AND USE APPROPRIATE SHADED HOLES.
- 4** WASTE ASSEMBLY IS SUPPLIED DISASSEMBLED. THE SHORTER OF THE TWO PIECES IS FOR THE ARM DRAIN, AND MUST BE INSTALLED SO THAT ANY BEND IN THE FLEX TUBING WILL ALLOW WATER TO DRAIN COMPLETELY. THE LONGER IS FOR THE PEDESTAL DRAIN AND IS SUPPLIED AT THE LENGTH REQUIRED TO ASSEMBLE THE UNIT WITH THE ARM AT CHILD HEIGHT. IN ORDER TO ASSEMBLE AT ADULT HEIGHT, 3" MUST BE CUT FROM THE END OF THE FLEX TUBING PRIOR TO ASSEMBLY. TEE IS TO BE GLUED TO THE FLEX TUBING WASTE ARMS USING PVC PIPE CEMENT.
- 5** INSULATION FOAM TUBING MUST NOT BE REMOVED.



5 INSULATION FOAM TUBING NOT SHOWN FOR CLARITY.



CHILD OR ADULT HEIGHT CONFIGURATION DETAILS

AVAILABLE ARM HEIGHTS		
DIM	ADULT ADA	CHILD ADA
A	27" / 686mm	24" / 610mm
B	32-3/4" / 832mm	29-3/4" / 756mm

1455 KLEPPE LANE
 SPARKS, NEVADA 89431
 (775) 359-4712 FAX (755) 359-7424
 E-MAIL: HAWS@HAWS.CO.COM
 WEBSITE: WWW.HAWS.CO.COM

ECN NO:	REVISED PER BY:	MODEL(S)	PART NUMBER
	ECN: 4725 HM	3150FR	0002077073.D
DRAWN: CJL	DATE: 09/29/92	CHKD:	DRAWING NO. 10384C00
APPROVED:	DATE:	SCALE: 1:13	REV 16
		DRAWING TYPE: INSTALLATION	SIZE: A SHEET 2 OF 2