



# model 3377FR

## Barrier-Free Freeze Resistant Pedestal Fountain

### FEATURES & BENEFITS

#### PUSH BUTTON

Polished chrome-plated push-button requires less than 5 lbs. (2.7 kg) of push force to activate.

#### CONSTRUCTION

Heavy-duty 3/16" (.47 cm) galvanized steel pedestal is supported by an integral mounting plate, supplied with a top down access plate, and is finished with green powder-coat paint. 18 gauge Type 304 Stainless Steel swirl design bowl, 14 gauge Type 304 Stainless Steel bracket, and a vandal-resistant bottom plate provides a long lasting unit with added peace of mind.

#### QUALITY CONTROL

Pre-built fountain is pressure tested to ensure no leaks and proper functionality.

#### FREEZE-RESISTANT VALVE

Fully engineered system with the pneumatic operated freeze-resistant valve installed below frost line to drain water to non-freezing depth allowing fountain to function year-round. Assembly can be lifted to surface and lowered back into casing for easy maintenance without disturbing the fountain.

#### BUBBLER HEAD

Polished chrome-plated brass bubbler head with an integral basin shank and inserted roll pin adds vandal resistance strength to the design, and the shielded angled stream orifice produces a steady sanitary source of water.



### SPECIFICATIONS

Model 3377FR barrier-free freeze-resistant pedestal drinking fountain shall include a 14 gauge Type 304 Stainless Steel satin finish bracket and 18 gauge Type 304 Stainless Steel satin finish basin with integral swirl design, polished chrome-plated brass vandal-resistant bubbler head, polished chrome-plated brass push-button, chrome-plated brass vandal-resistant waste strainer, vandal-resistant bottom plate, 3/16" (.47 cm) galvanized steel top-access pedestal with green powder-coated finish, integral mounting plate, and 1-1/4" IPS waste. REQUIRES MODEL 6518FR PRICED SEPARATELY.

### OPTIONS

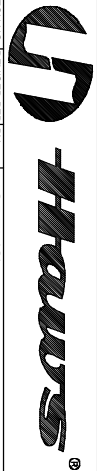
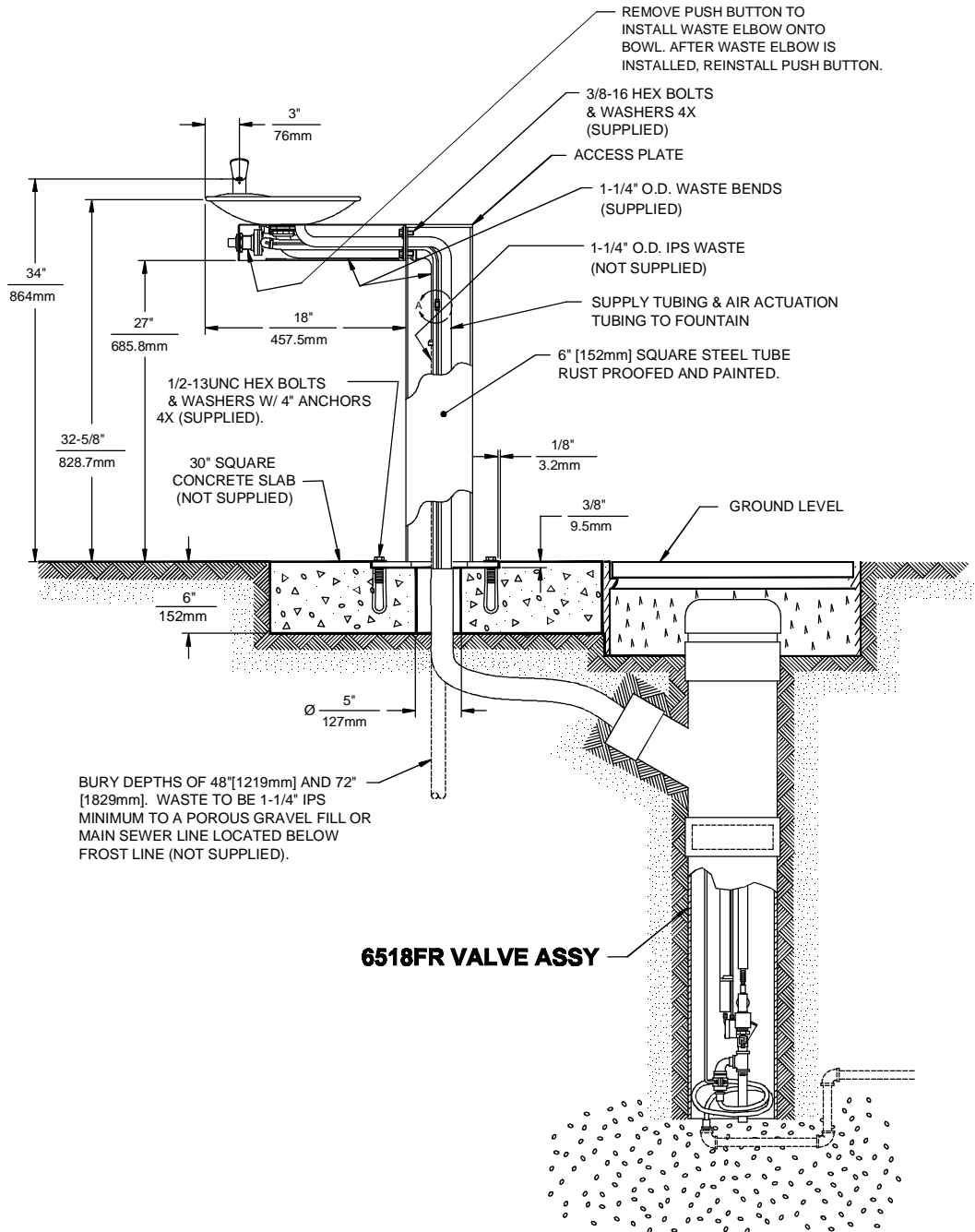
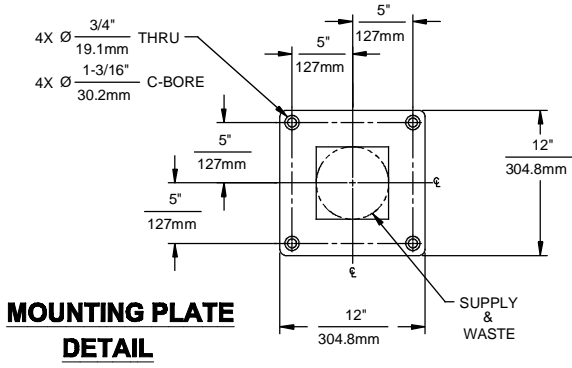
- Bottle Filler Attachment: Model 3377BFFR, freeze-resistant, bottle filler attachment comes with push button operation, 3/16" galvanized steel top-access pedestal extension with green powder-coated finish, and a vandal resistant bottom plate.

For more information, visit [www.hawscos.com](http://www.hawscos.com) or call (888) 640-4297.

### APPLICATIONS

Perfect for either public or private outdoor settings, the 3377FR is a great fit in areas where aesthetics are important to the overall appeal of the architecture. Suitable in areas where weather conditions exist, this series stands strong as a nice addition to any community. Powder-coated finish help to maintain the fountains overall appeal so it remains looking as new as it did when it was installed. This type of pedestal drinking fountain may also be placed in a variety of settings such as: parks, schools, and other outdoor environments around office buildings where the temperature may drop into freezing conditions. Model meets all current Federal Regulations for the disabled including those in the Americans with Disabilities Act. Haws manufactures drinking fountains and electric water coolers to be lead-free by all known definitions including NSF/ANSI Standard 61, Section 9, NSF/ANSI 372, California Proposition 65, and the Federal Safe Drinking Water Act. Product is compliant to California Health and Safety Code 116875 (AB 1953-2006).





1455 KLEPPLE LANE  
SPARKS, NEVADA 89431  
(775) 359-4712 FAX (775) 359-7424  
E-MAIL: HAWS@HAWSCO.COM  
WEBSITE: WWW.HAWSCO.COM

CON. NO.	REVISED PER:	DATE:	CHK'D:	SCALE:	DRAWING TYPE:	SIZE:	SHEET:
DRAWN:	RTM	08/97	VWC	1:16	INSTALLATION	A	1 OF 1
APPROVED:	FV	04/21/15					
MODEL(S)	3377FR						
PART NUMBER	0002077365.D						
REVISION	8						