



model 3380

Barrier-Free Steel Pedestal Fountain

FEATURES & BENEFITS

CONSTRUCTION

Heavy-duty 11 gauge galvanized steel pedestal with a green powder-coat finish incorporates a rounded tube design for an aesthetically pleasing design, and a vandal-resistant access plate for added peace of mind.

BUBBLER HEAD

Polished chrome-plated brass bubbler head with integral laminar flow prevents splashing while providing a superior flow pattern. The integral basin shank and inserted roll pin add vandal resistance strength. Shielded, angled stream opening provides a steady, sanitary source of drinking water at .45 gpm.

PUSH BUTTON VALVE

The push-button activated valve assembly allows for front access stream adjustment as well as cartridge and strainer access. The valve works at an operating pressure range of 30 to 90 psi (2.1 to 6.2 bar).



OPTIONS

- Sand Trap: Model 6611, sand trap for installing adjacent to pedestal drinking fountains to help prevent debris and contaminants from clogging waste line.

For more information, visit www.hawsc.com or call (888) 640-4297.

SPECIFICATIONS

Model 3380 barrier-free pedestal drinking fountain shall include an 18 gauge Type 304 Stainless Steel satin finish basin with integral swirl design, 100% lead-free waterways, push-button operated stainless steel valve with front-accessible cartridge and flow adjustment, polished chrome-plated brass vandal-resistant bubbler head with integral laminar anti-squirt flow, chrome-plated brass vandal-resistant waste strainer, 11 gauge galvanized substrate steel pedestal with green powder-coating, integral mounting plate, and 1-1/2 O.D. tailpiece.

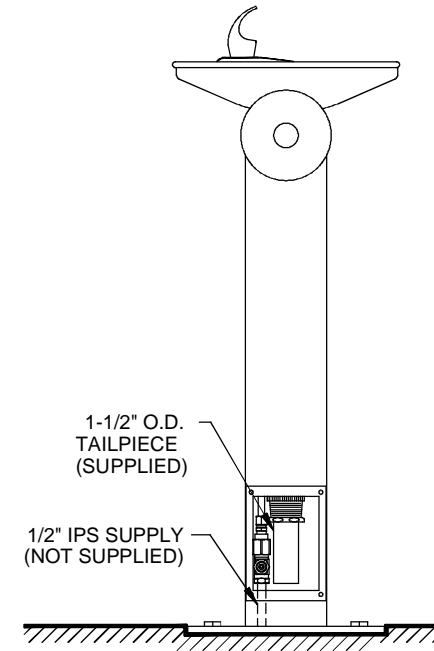
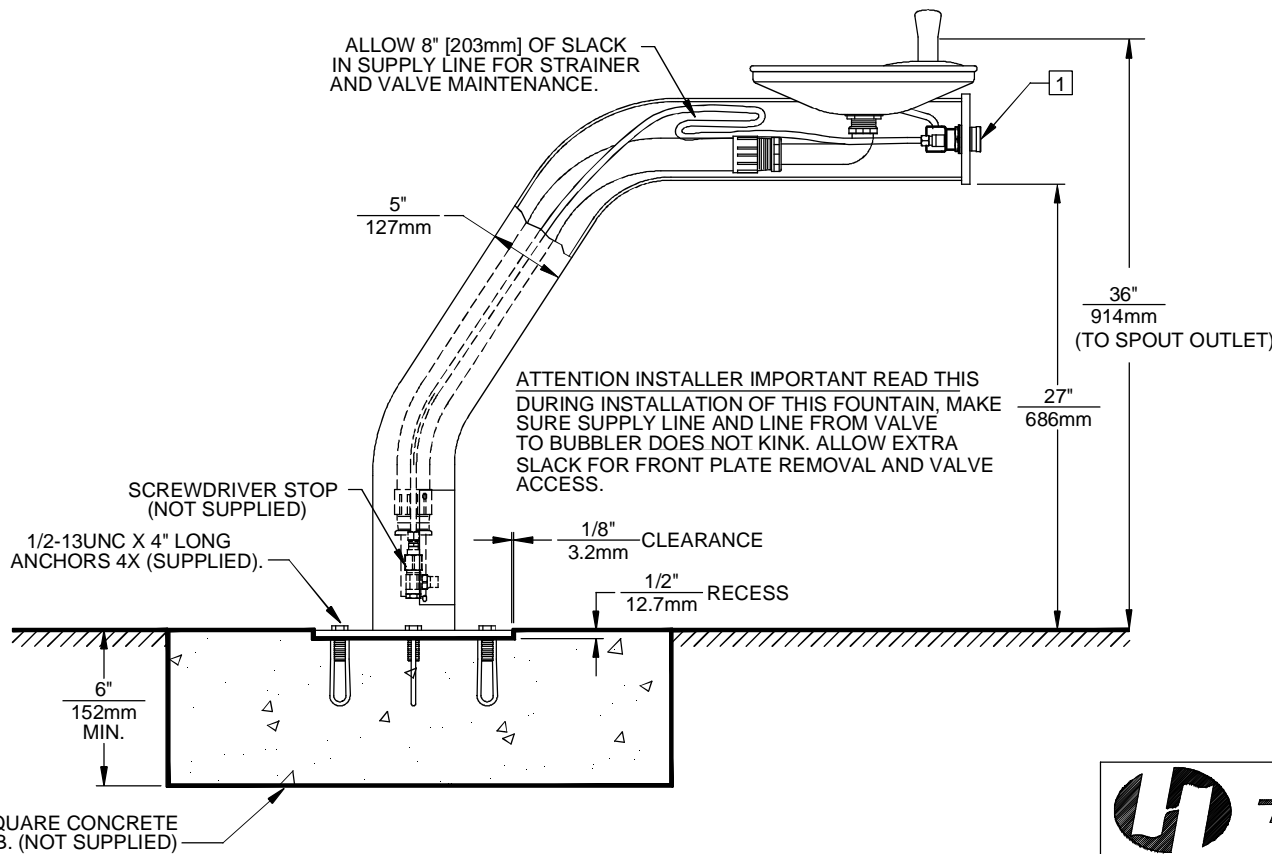
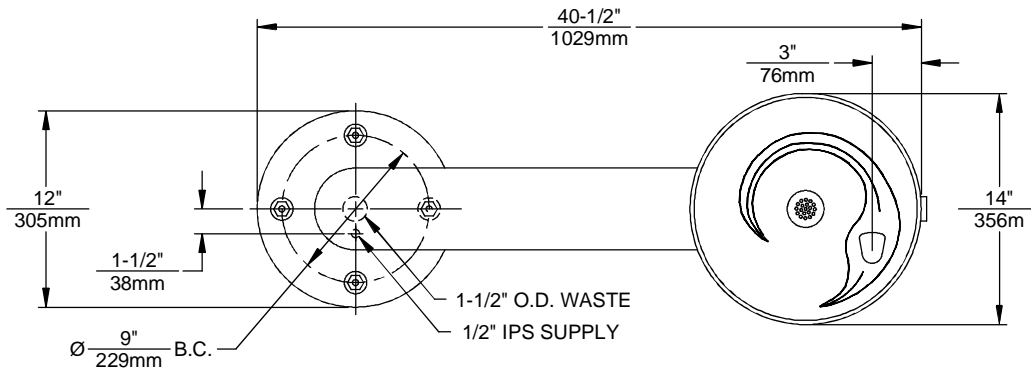
APPLICATIONS


Perfect for either public or private outdoor settings, the 3380 is a great fit in areas where aesthetics are important to the overall appeal of the architecture. Suitable in areas where weather conditions exist, this series stands strong as a nice addition to any community. Powder-coated finish helps to maintain the fountain's overall appeal so it remains looking as new as it did when it was installed. This type of pedestal drinking fountain may also be placed in a variety of settings such as: parks, schools, and other outdoor environments around office buildings where the temperature remains above freezing. Model meets all current Federal Regulations for the disabled including those in the Americans with Disabilities Act. Haws manufactures drinking fountains and electric water coolers to be lead-free by all known definitions including NSF/ANSI Standard 61, Section 9, NSF/ANSI 372, California Proposition 65, and the Federal Safe Drinking Water Act. Product is compliant to California Health and Safety Code 116875 (AB 1953-2006).



NOTES:

- REFER TO 5874SS OPERATION AND MAINTENANCE MANUAL FOR PUSH BUTTON AND VALVE INSTALLATION/ MAINTENANCE INSTRUCTIONS.



		1455 KLEPPE LANE SPARKS, NEVADA 89431 (775) 359-4712 FAX (755) 359-7424 E-MAIL: HAWS@HAWSO.COM WEBSITE: WWW.HAWSO.COM	
		ECN NO. REVISED PER BY: ECN: 4828 HM	MODEL(S) 3380/3380G
DRAWN: C. HAYES APPROVED:	DATE: 07/27/02 CHKD:	SCALE: 1:12 DRAWING TYPE: INSTALLATION	DRAWING NO. REV 10253A00 17 SHEET 1 OF 1