



model 3380FR

Barrier-Free Freeze Resistant Pedestal Fountain

FEATURES & BENEFITS

PUSH BUTTON

Polished chrome-plated push-button requires less than 5 lbs. (2.7 kg) of push force to activate.

CONSTRUCTION

Heavy-duty 11 gauge galvanized steel pedestal with a green powder-coat finish incorporates a rounded tube design for an aesthetically pleasing design, and a vandal-resistant access plate for added peace of mind.

FREEZE-RESISTANT VALVE

Fully engineered system with the pneumatic operated freeze-resistant valve installed below frost line to drain water to non-freezing depth allowing fountain to function year-round. Assembly can be lifted to surface and lowered back into casing for easy maintenance without disturbing the fountain.

BUBBLER HEAD

Polished chrome-plated brass bubbler head with an integral basin shank and inserted roll pin adds vandal resistance strength to the design, and the shielded angled stream orifice produces a steady sanitary source of water.



SPECIFICATIONS

Model 3380FR barrier-free freeze-resistant pedestal drinking fountain shall include an 18 gauge Type 304 Stainless Steel satin finish basin with integral swirl design, polished chrome-plated brass push-button, polished chrome-plated brass vandal-resistant bubbler head, chrome-plated brass vandal-resistant waste strainer, 11 gauge galvanized substrate steel pedestal with green powder-coating, integral mounting plate, and 1-1/2" O.D. tailpiece. REQUIRES MODEL 6518FR PRICED SEPARATELY.

OPTIONS

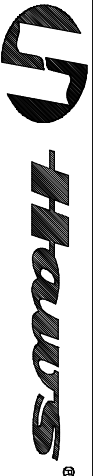
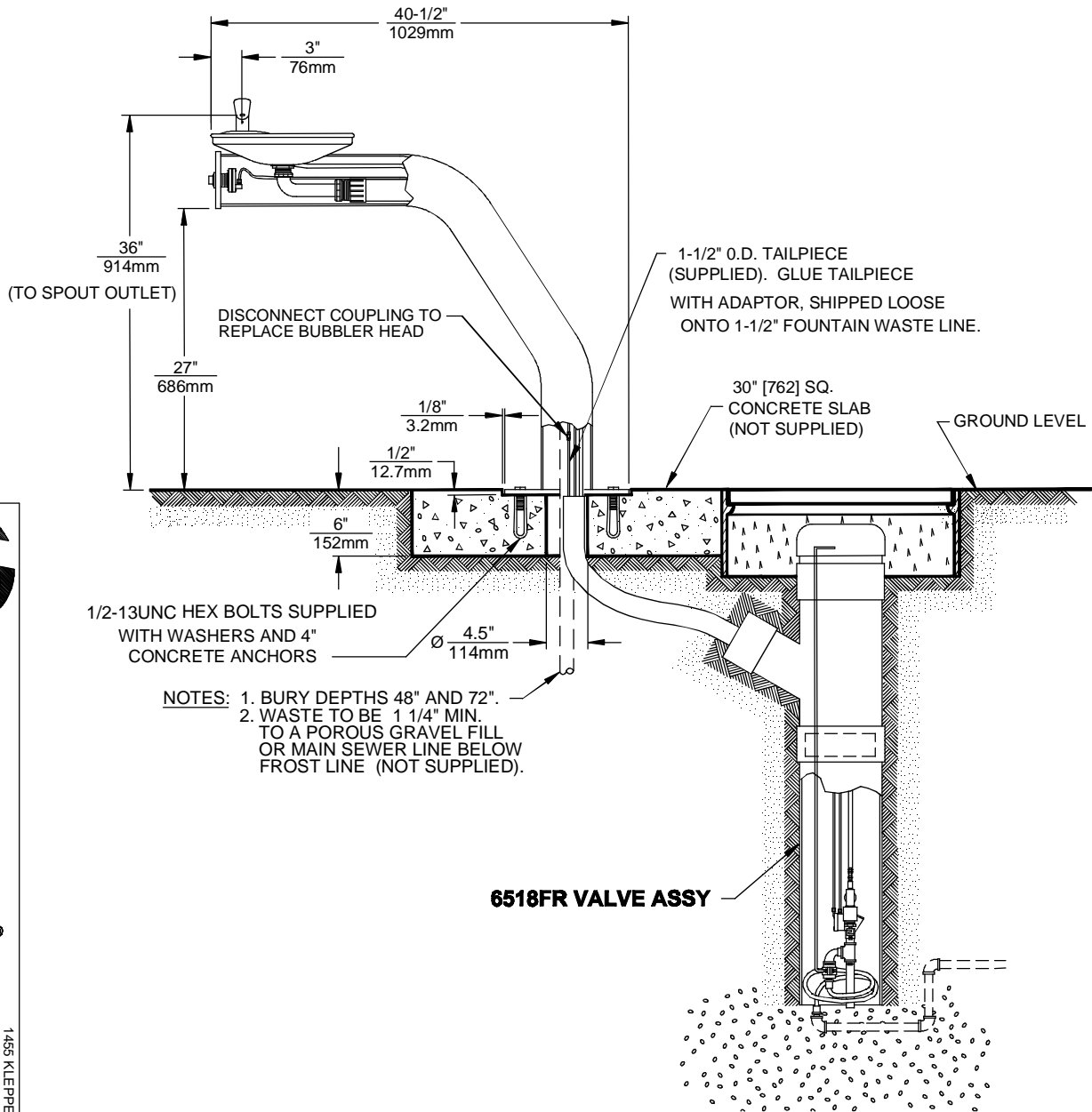
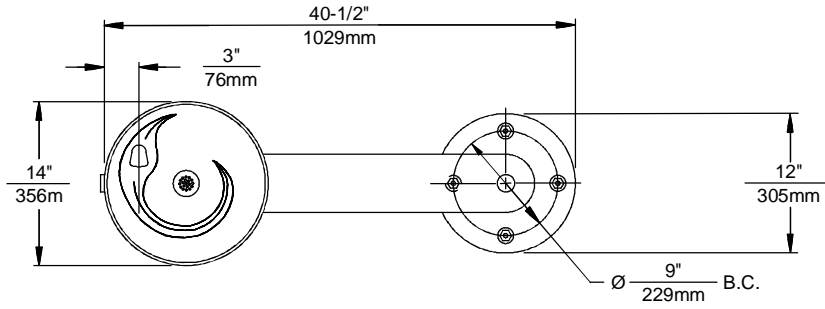
For more information, visit www.hawsc.com or call (888) 640-4297.

APPLICATIONS

Perfect for either public or private outdoor settings, the 3380FR is a great fit in areas where aesthetics are important to the overall appeal of the architecture. Suitable in areas where weather conditions exist, this series stands strong as a nice addition to any community. Powder-coated finish helps to maintain the fountain's overall appeal so it remains looking as new as it did when it was installed. This type of pedestal drinking fountain may also be placed in a variety of settings such as: parks, schools, and other outdoor environments around office buildings where the temperature may drop into freezing conditions. Model meets all current Federal Regulations for the disabled including those in the Americans with Disabilities Act. Haws manufactures drinking fountains and electric water coolers to be lead-free by all known definitions including NSF/ANSI Standard 61, Section 9, NSF/ANSI 372, California Proposition 65, and the Federal Safe Drinking Water Act. Product is compliant to California Health and Safety Code 116875 (AB 1953-2006).



3380FR/3380GFR WITH 6518FR



1455 KLEPPE LANE

SPARKS, NEVADA 89431

(775) 359-4712 FAX (775) 359-7424

E-MAIL: HAWS@HAWSCO.COM

WEBSITE: WWW.HAWSCO.COM

ECN NO.	REVISED PER BY:	MODEL(S)
4595	JDM	3380FR/3380GFR
DATE	CHK'D:	PART NUMBER
08/12/92	VWC	0002077370.D
APPROVED	DATE	SCALE
FV	04/21/15	1:17
		DRAWING TYPE:
		INSTALLATION
		SIZE: A
		SHEET 1 OF 1
		REVISION
		14