



# model 3380G

## Pedestal-Mounted Drinking Fountain

### FEATURES & BENEFITS

#### BARRIER-FREE

Barrier-free capabilities combined with its ease of use allows for a number of installation location possibilities.

#### BUBBLER HEAD

Polished chrome-plated brass bubbler head with integral laminar flow prevents splashing and provides a superior flow pattern. The integral basin shank and inserted roll pin adds vandal resistance strength to the design, and the shielded angled stream orifice produces a steady sanitary source of water.

#### GALVANIZED FINISH

Tough galvanized coating is ideal for areas where vandalism and graffiti is an issue. Due to the galvanizing process, appearance of the finish may vary.

#### CONSTRUCTION

Heavy-duty 11 gauge galvanized steel finished pedestal incorporates a rounded tube design for an aesthetically pleasing fountain, and a vandal-resistant access plate for added peace of mind.

#### PUSH BUTTON

With its patented (Pat. # 6,981,692) stainless steel, push-button activated valve assembly which allows for front access stream adjustment as well as cartridge and strainer access, this fountain offers 100% lead free waterways. The valve works at an operating pressure range of 30 to 90 psi (2.1 to 6.2 bar).

### OPTIONS

- Sand Trap: Model 6611, sand trap for installing adjacent to pedestal drinking fountains to help prevent debris and contaminants from clogging waste line.

To see all options for this model, visit [www.hawsc.com](http://www.hawsc.com)



### SPECIFICATIONS

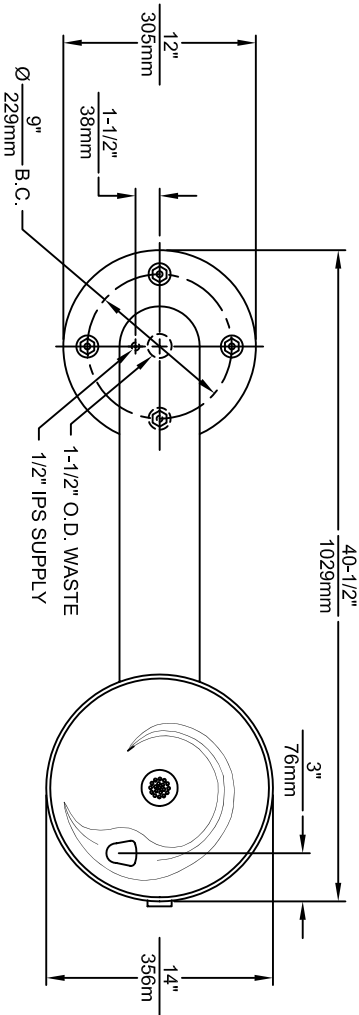
Model 3380G barrier-free pedestal drinking fountain shall include an 18 gauge Type 304 Stainless Steel satin finish basin with integral swirl design, 100% lead-free waterways, push-button operated stainless steel valve with front-accessible cartridge and flow adjustment, polished chrome-plated brass vandal-resistant bubbler head with integral laminar anti-squirt flow, chrome-plated brass vandal-resistant waste strainer, 11 gauge galvanized steel pedestal, integral mounting plate, and 1-1/2" O.D. tailpiece.

### APPLICATIONS

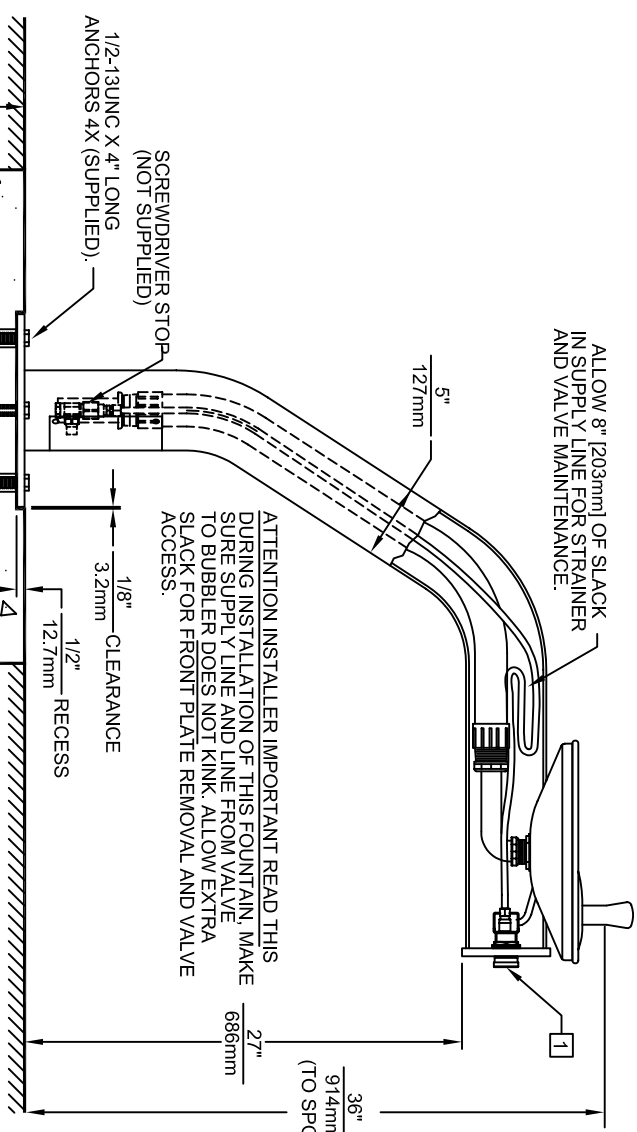
Perfect for either public or private outdoor settings, the 3380G is a great fit in areas where aesthetics are important to the overall appeal of the architecture. Suitable in areas where weather conditions exist, this series stands strong as a nice addition to any community. Galvanized finish helps to maintain the fountain's overall appeal so it remains looking as new as it did when it was installed. This type of pedestal drinking fountain may also be placed in a variety of settings such as: parks, schools, and other outdoor environments around office buildings where the temperature remains above freezing.

Model meets all current Federal Regulations for the disabled including those in the Americans with Disabilities Act. Haws manufactures drinking fountains and electric water coolers to be lead-free by all known definitions including NSF/ANSI Standard 61, Section 9, California Proposition 65, and the Federal Safe Drinking Water Act. Product is compliant to California Health and Safety Code 116875 (AB 1953-2006).



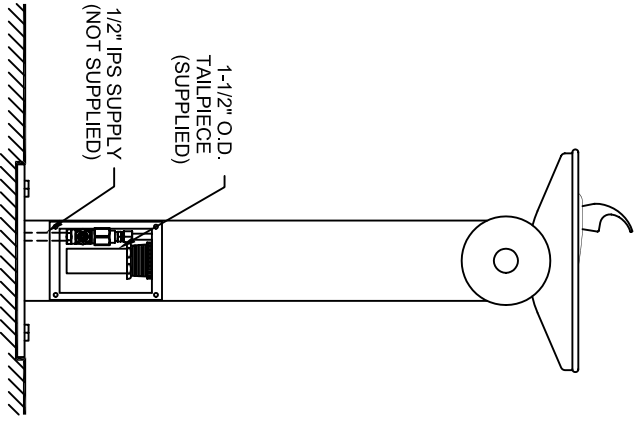


**NOTES:**  
 1. REFER TO 5874SS OPERATION AND MAINTENANCE MANUAL FOR PUSH BUTTON AND VALVE INSTALLATION/ MAINTENANCE INSTRUCTIONS.



ATTENTION INSTALLER IMPORTANT READ THIS DURING INSTALLATION OF THIS FOUNTAIN. MAKE SURE SUPPLY LINE AND LINE FROM VALVE TO BUBBLER DOES NOT KINK. ALLOW EXTRA SLACK FOR FRONT PLATE REMOVAL AND VALVE ACCESS.

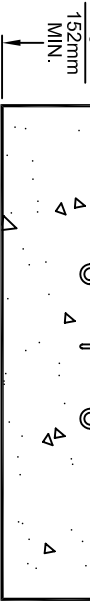
ALLOW 8" [203mm] OF SLACK IN SUPPLY LINE FOR STRAINER AND VALVE MAINTENANCE.



30" SQUARE CONCRETE SLAB. (NOT SUPPLIED)

1/2-13UNC X 4" LONG ANCHORS 4X (SUPPLIED).

SCREWDRIVER STOP (NOT SUPPLIED)



**Haws Corporation**

1455 KLEPPE LANE  
 SPARKS, NEVADA 89431  
 (775) 359-4712 FAX (775) 359-7424  
 E-MAIL: HAWSC@HAWSCCO.COM  
 WEBSITE: WWW.HAWSCCO.COM

ED. NO.:	10/2007	REV.:	000207/367.D
DATE:	09/27/07	DATE:	10/25/00
APPROVED:	C. HAVES	APPROVED:	A. BISHOP
DATE:	07/27/02	DATE:	11/01/01
MODEL(S):	3380/3380G	INSTALLATION/EXTRACT:	
INFO FAX DOC #:	23390/233904	SIZE:	A
SPARKS TYPE:		SHEET:	1 OF 1