



model 3611FR

ADA Stainless Steel Freeze Resistant Bottle Filler and Drinking Fountain

FEATURES & BENEFITS

PUSH BUTTON

Polished chrome-plated push-button requires less than 5 lbs. (2.7 kg) of push force to activate.

DRAIN CLEAN-OUT

Top-down access to the drain allows the fountain portion to be cleaned without taking the unit apart, good for outdoor settings with drain-clogging sediment such as leaves, garbage, and other debris.

FREEZE-RESISTANT VALVE

Fully-engineered system with the pneumatic-operated, freeze-resistant valve installed below frost line to drain water to non-freezing depth allowing fountain to function year round. Assembly can be lifted to surface and lowered back into casing for easy maintenance without disturbing the fountain.

BARRIER-FREE

Heavy-duty stainless steel pedestal provides ADA compliant standing adult height, wheel chair, and child wheel chair arm positions to accommodate all users.

BOTTLE FILLER

Industry leading 17" bottle filling area opening allows more users access to this environmentally friendly hydration solution for reduced plastic consumption.

OPTIONS

For more information, visit www.hawsc.com or call (888) 640-4297.



SPECIFICATIONS

Model 3611FR outdoor, freeze-resistant ADA pedestal bottle filler and drinking fountain shall include a heavy-duty stainless steel pedestal with matte silver powder-coating, one bottle filler and one drinking fountain, fully engineered pneumatic valve assembly, large-opening bottle filler with quick-fill 1 gpm flow rate, polished chrome-plated brass vandal-resistant shielded bubbler head, 100% lead-free waterways, polished chrome-plated vandal-resistant waste strainer with top-down clean-out access on fountain, vandal-resistant access plates, integral mounting feet, and 1-1/2" slip waste.

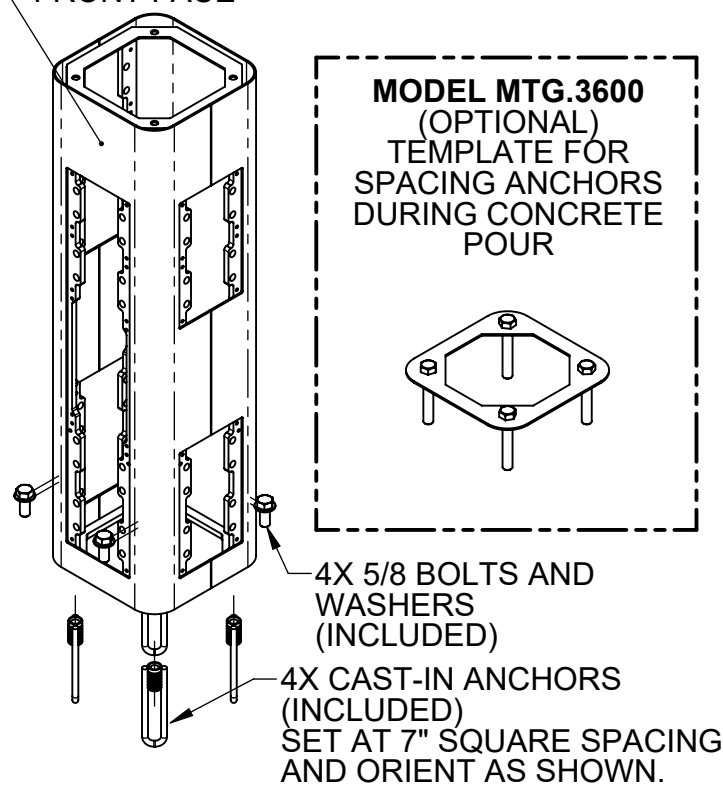
REQUIRES MODEL 6518.2FR PRICED SEPARATELY.

APPLICATIONS

The 3611FR offers a solution for the changing needs of outdoor settings as well as outdoor wheelchair access, appealing to all users through accessibility and safety. This product is ideal in areas such as parks, schools, and other outdoor areas where hydration facilities are needed. Model meets all current Federal Regulations for the disabled including those in the Americans with Disabilities Act, and complies with Prop 65. Certified by CSA to NSF/ANSI 61, section 9 and NSF/ANSI 372; and was evaluated to be compliant to US and Canada Plumbing Codes including Uniform Plumbing Code (UPC), International Plumbing Code (IPC) and National Plumbing Code of Canada (NPC).

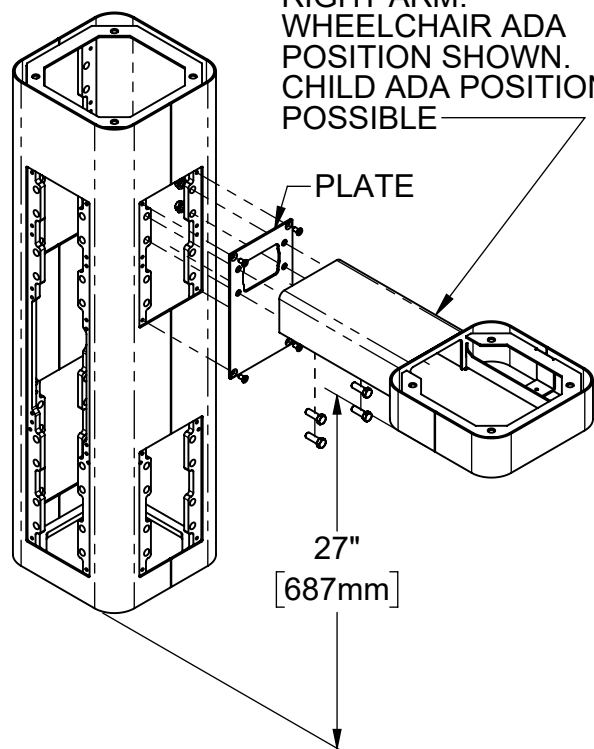


FRONT FACE



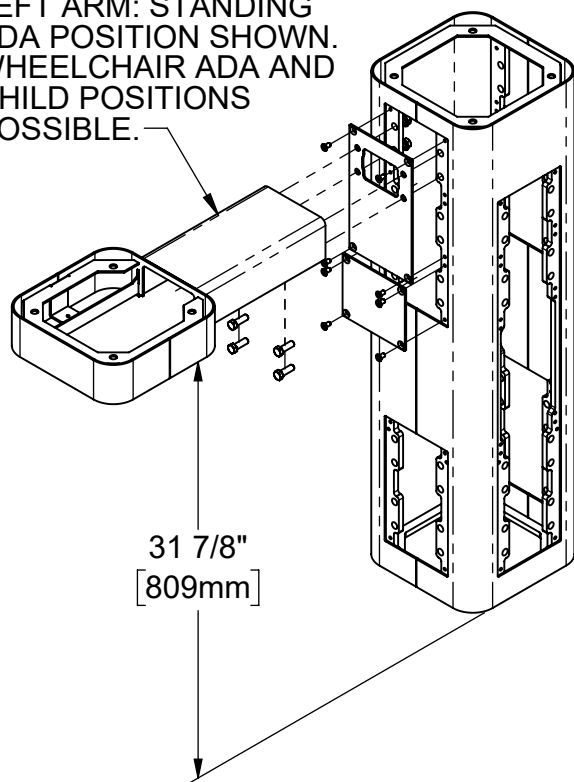
STEP 1: MOUNT PEDESTAL TO CONCRETE SLAB IN DESIRED ORIENTATION

RIGHT ARM: WHEELCHAIR ADA POSITION SHOWN. CHILD ADA POSITION POSSIBLE

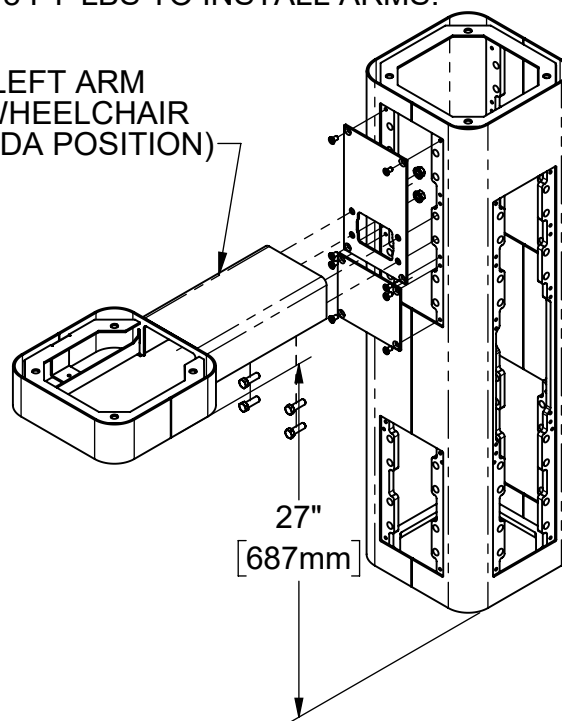


STEP 2: INSTALL SIDE ARM(S) AND PLATES AS APPLICABLE. ROTATE OR RELOCATE THE PLATES AS REQUIRED TO ESTABLISH DESIRED ARM/BOWL HEIGHT. USE THE 1/4" FLAT HEAD SCREWS TO INSTALL PLATES. USE 3/8" BOLTS AND NUTS AND TORQUE TO 18 FT*LBS TO INSTALL ARMS.

LEFT ARM: STANDING ADA POSITION SHOWN. WHEELCHAIR ADA AND CHILD POSITIONS POSSIBLE.



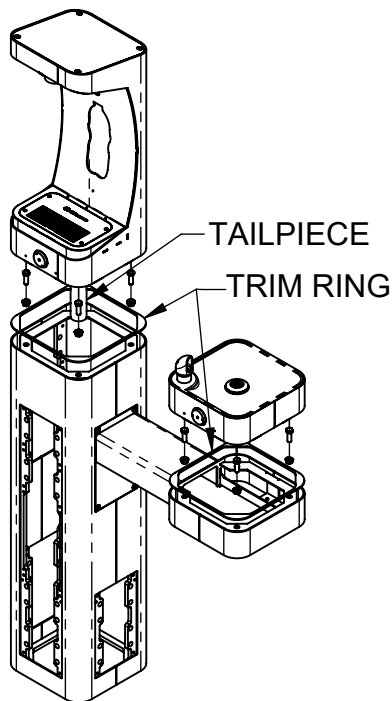
(LEFT ARM WHEELCHAIR ADA POSITION)



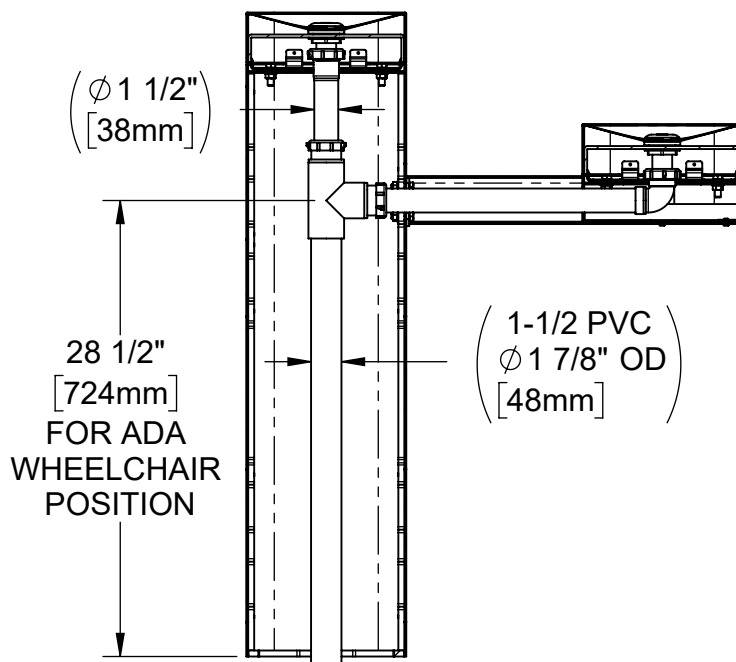
1455 KLEPPE LANE
SPARKS, NEVADA 89431
(775) 359-4712 FAX (775) 359-7424
E-MAIL: HAWS@HAWSO.COM
WEBSITE: WWW.HAWSO.COM

ECN: 5543	REV. ECN: 5543	BY:	MODEL(S) 36XX -MODULAR OUTDOOR FOUNTAIN SYSTEM	PART NUMBER 051000704.D
DRAWN: DHP	DATE: 6/11/20	CHKD: DHP		REVISION 4
APPROVED: IR	DATE: 07/01/20	SCALE: 1:12	DRAWING TYPE: INSTALLATION	SIZE: A SHEET 1 OF 8

WHEN ORDERING PARTS PLEASE SPECIFY PART NUMBER

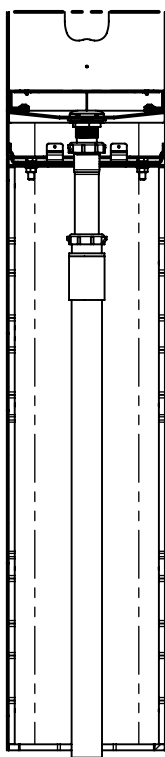


STEP 3: MOUNT BOTTLE FILLER AND BOWLS, AS APPLICABLE. ENSURE THAT PARTS ARE CENTERED AND USE INCLUDED TRIM RINGS. USE 3/8" BOLTS AND NUTS AND TORQUE TO 18 FT*LBS. INCLUDE APPROPRIATE LENGTH TAILPIECE AT THIS STEP.

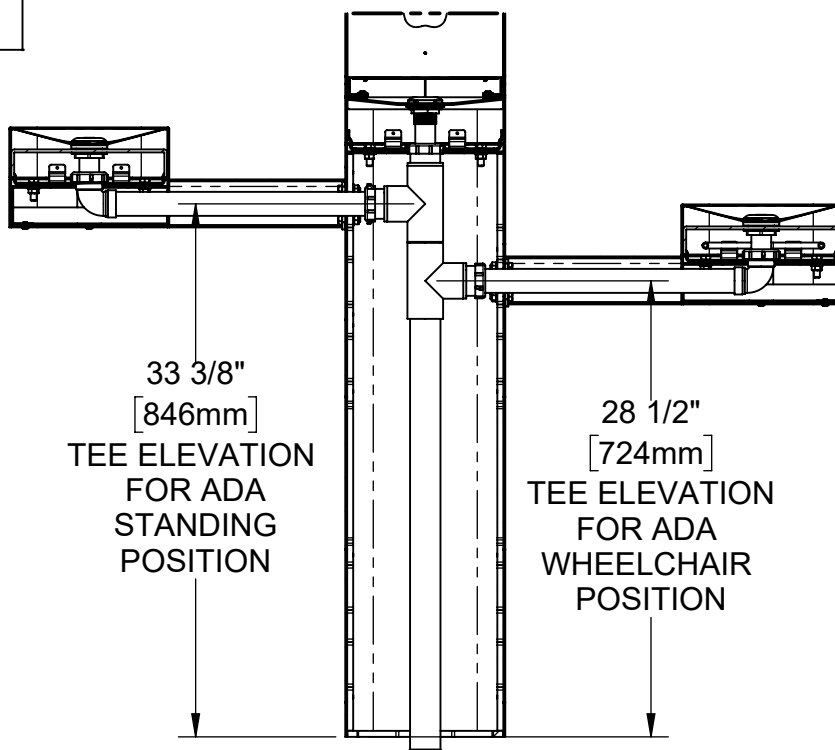


3602/3602FR AND 3611/3611FR WASTE PLUMBING

STEP 4: INSTALL REMAINING DRAIN COMPONENTS. USE APPROPRIATE PVC CEMENT TO MAKE SOLVENT CEMENT CONNECTIONS. TRIM WASTE BEND AND TAILPIECE LENGTH IF REQUIRED.



3610/3610FR WASTE PLUMBING

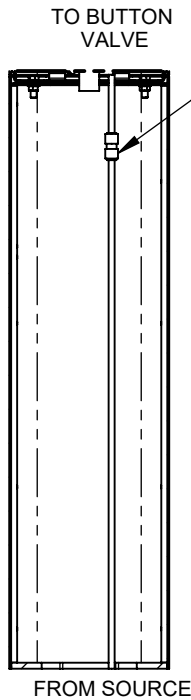


3612/3612FR WASTE PLUMBING

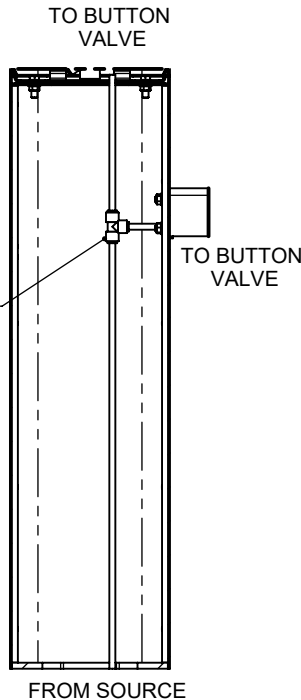
		1455 KLEPPE LANE SPARKS, NEVADA 89431 (775) 359-4712 FAX (775) 359-7424 E-MAIL: HAWS@HAWS.CO.COM WEBSITE: WWW.HAWS.CO.COM	
ECN: 5543	REV. ECN: 5543	BY:	MODEL(S) 36XX -MODULAR OUTDOOR FOUNTAIN SYSTEM
DRAWN: DHP	DATE: 6/11/20	CHKD: DHP	PART NUMBER 0510000704.D
APPROVED: IR	DATE: 07/01/20	SCALE: 1:16	REVISION 4
DRAWING TYPE: INSTALLATION		SIZE: A	SHEET 2 OF 8

WHEN ORDERING PARTS PLEASE SPECIFY PART NUMBER

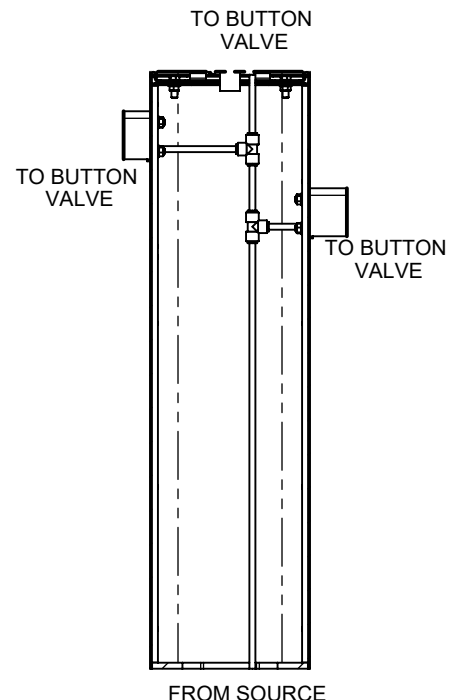
STEP 5: COMPLETE WATER SUPPLY PLUMBING. NOTE PLUMBING DIFFERENCES BETWEEN FR (FREEZE RESISTANT) AND NON-FR MODELS. REFER TO BURY VALVE OPERATION AND MAINTENANCE MANUAL FOR ADDITIONAL INFORMATION WHEN INSTALLING FREEZE RESISTANT MODELS.



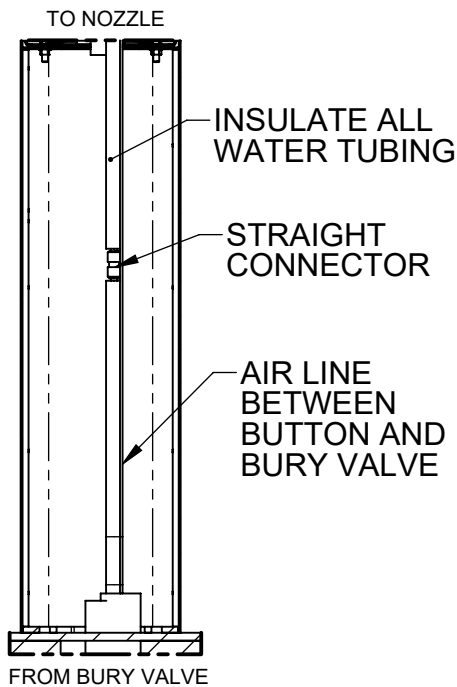
3610



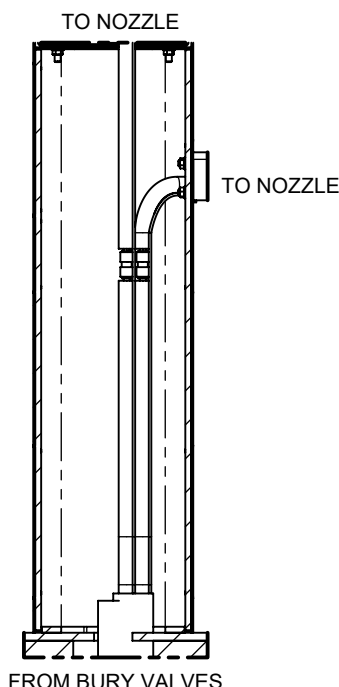
3602 AND 3611



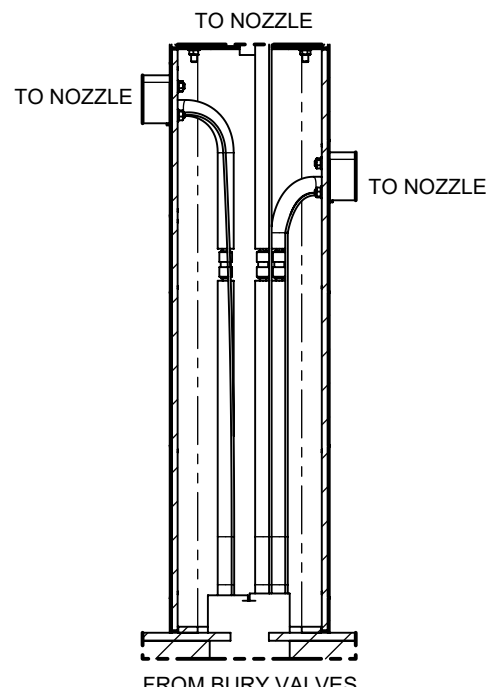
3612



3610FR



3602FR AND 3611FR



3612FR

STEP 6: OPEN SUPPLY VALVE(S) AND TEST. REINSTALL ALL COVER PLATES.

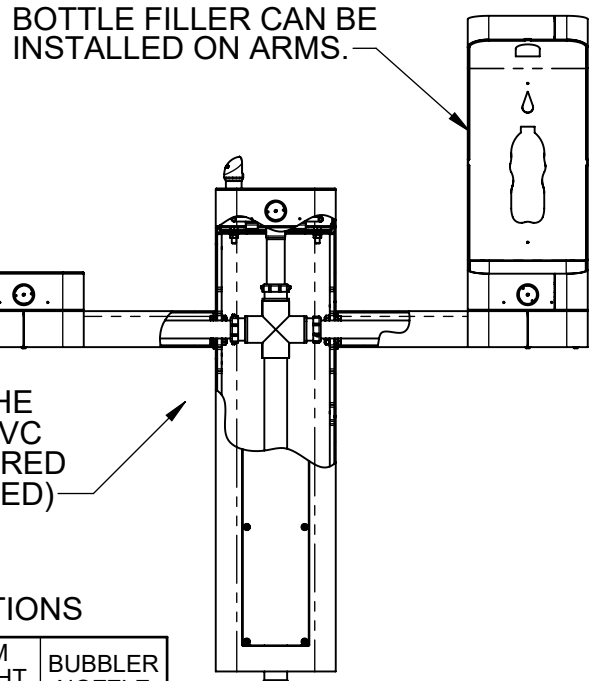
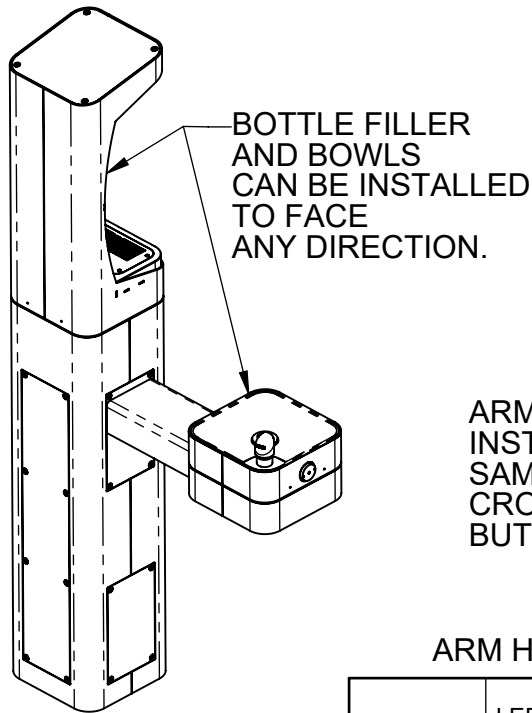


1455 KLEPPE LANE
SPARKS, NEVADA 89431
(775) 359-4712 FAX (775) 359-7424
E-MAIL: HAWS@HAWSO.COM
WEBSITE: WWW.HAWSO.COM

ECN: 5543	REV. ECN: 5543	BY:	MODEL(S) 36XX -MODULAR OUTDOOR FOUNTAIN SYSTEM	PART NUMBER 0510000704.D
DRAWN: DHP	DATE: 6/11/20	CHKD: DHP		REVISION 4
APPROVED: IR	DATE: 07/01/20	SCALE: 1:32	DRAWING TYPE: INSTALLATION	SIZE: A

WHEN ORDERING PARTS PLEASE SPECIFY PART NUMBER

NOTE ON OPTIONAL CONFIGURATIONS: HAWS 3600 SERIES OUTDOOR FOUNTAINS ARE MODULAR AND CAN BE ASSEMBLED OR RECONFIGURED MANY DIFFERENT WAYS. DISPLAYED HERE ARE JUST SEVERAL EXAMPLES OF WHAT IS POSSIBLE. CONTACT HAWS CUSTOMER SUPPORT IF THERE ARE QUESTIONS ON THE MODULAR CAPABILITY OR FOR SPECIAL MODEL REQUESTS.

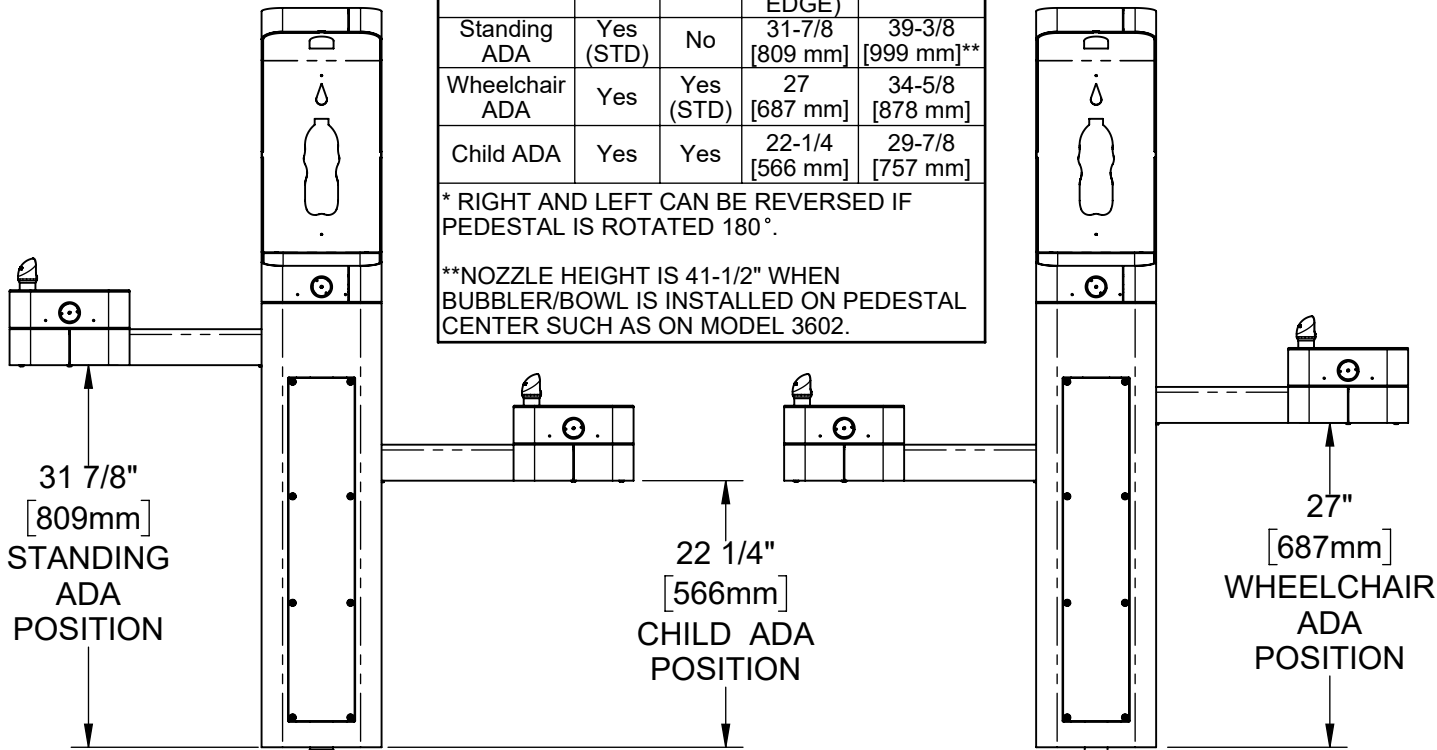


ARM HEIGHT POSITIONS

	LEFT SIDE*	RIGHT SIDE*	ARM HEIGHT (LOWER EDGE)	BUBBLER NOZZLE HEIGHT
Standing ADA	Yes (STD)	No	31-7/8 [809 mm]	39-3/8 [999 mm]**
Wheelchair ADA	Yes	Yes (STD)	27 [687 mm]	34-5/8 [878 mm]
Child ADA	Yes	Yes	22-1/4 [566 mm]	29-7/8 [757 mm]

* RIGHT AND LEFT CAN BE REVERSED IF PEDESTAL IS ROTATED 180°.

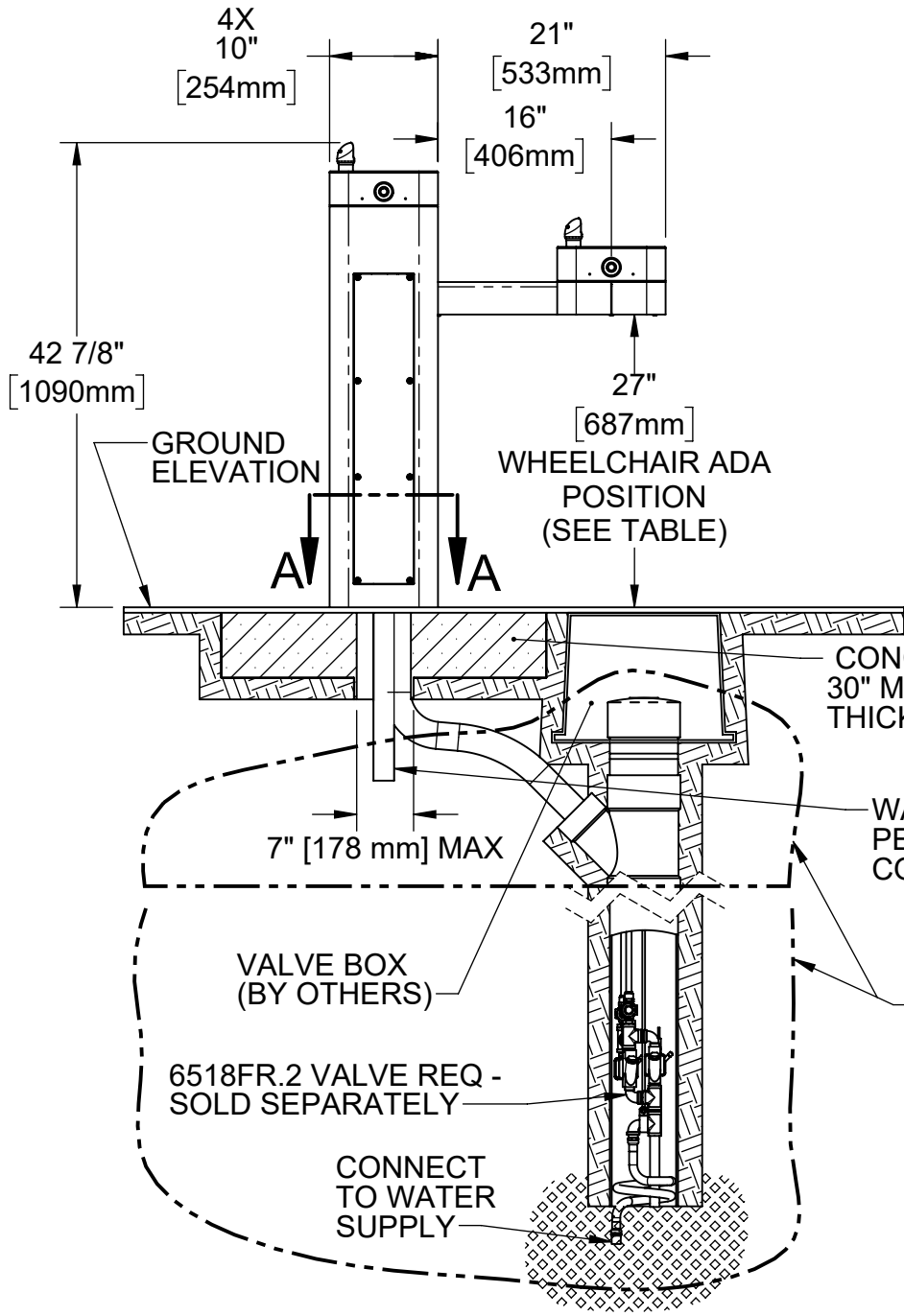
**NOZZLE HEIGHT IS 41-1/2" WHEN BUBBLER/BOWL IS INSTALLED ON PEDESTAL CENTER SUCH AS ON MODEL 3602.



1455 KLEPPE LANE
SPARKS, NEVADA 89431
(775) 359-4712 FAX (775) 359-7424
E-MAIL: HAWS@HAWSCO.COM
WEBSITE: WWW.HAWSCO.COM

ECN: 5543	REV. ECN: 5543	BY:	MODEL(S)	PART NUMBER
DRAWN: DHP	DATE: 6/11/20	CHKD: DHP	36XX -MODULAR OUTDOOR FOUNTAIN SYSTEM	0510000704.D
APPROVED: IR	DATE: 07/01/20	SCALE: 1:16	DRAWING TYPE: INSTALLATION	REVISION 4
SHEET 4 OF 8			SIZE: A	

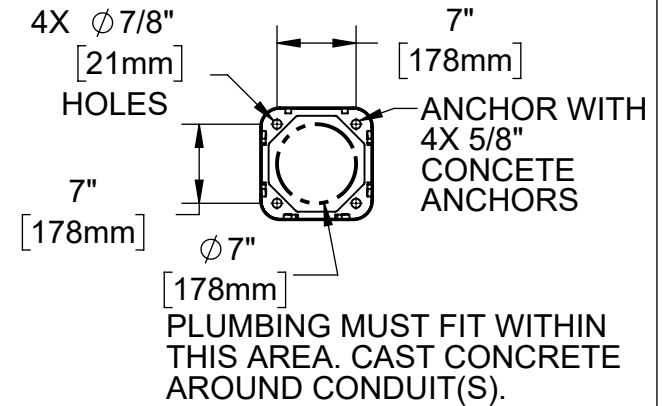
WHEN ORDERING PARTS PLEASE SPECIFY PART NUMBER



ARM HEIGHT POSITION OPTIONS				
	LEFT SIDE*	RIGHT SIDE*	ARM HEIGHT (LOWER EDGE)	BUBBLER NOZZLE HEIGHT
Standing ADA	Yes (STD)	No	31-7/8 [809 mm]	39-3/8 [999 mm]**
Wheelchair ADA	Yes	Yes (STD)	27 [687 mm]	34-5/8 [878 mm]
Child ADA	Yes	Yes	22-1/4 [566 mm]	29-7/8 [757 mm]

* RIGHT AND LEFT CAN BE REVERSED IF PEDESTAL IS ROTATED 180°.

**NOZZLE HEIGHT IS 41-1/2" WHEN BUBBLER/BOWL IS INSTALLED ON PEDESTAL SUCH AS ON MODEL 3602.

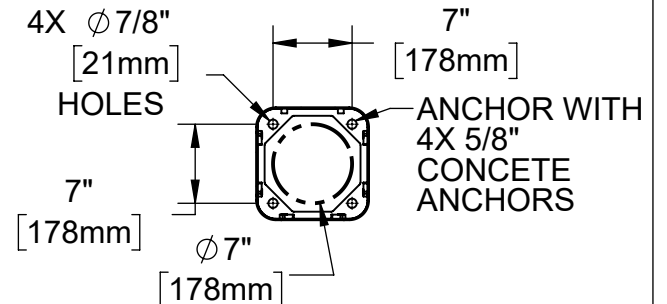
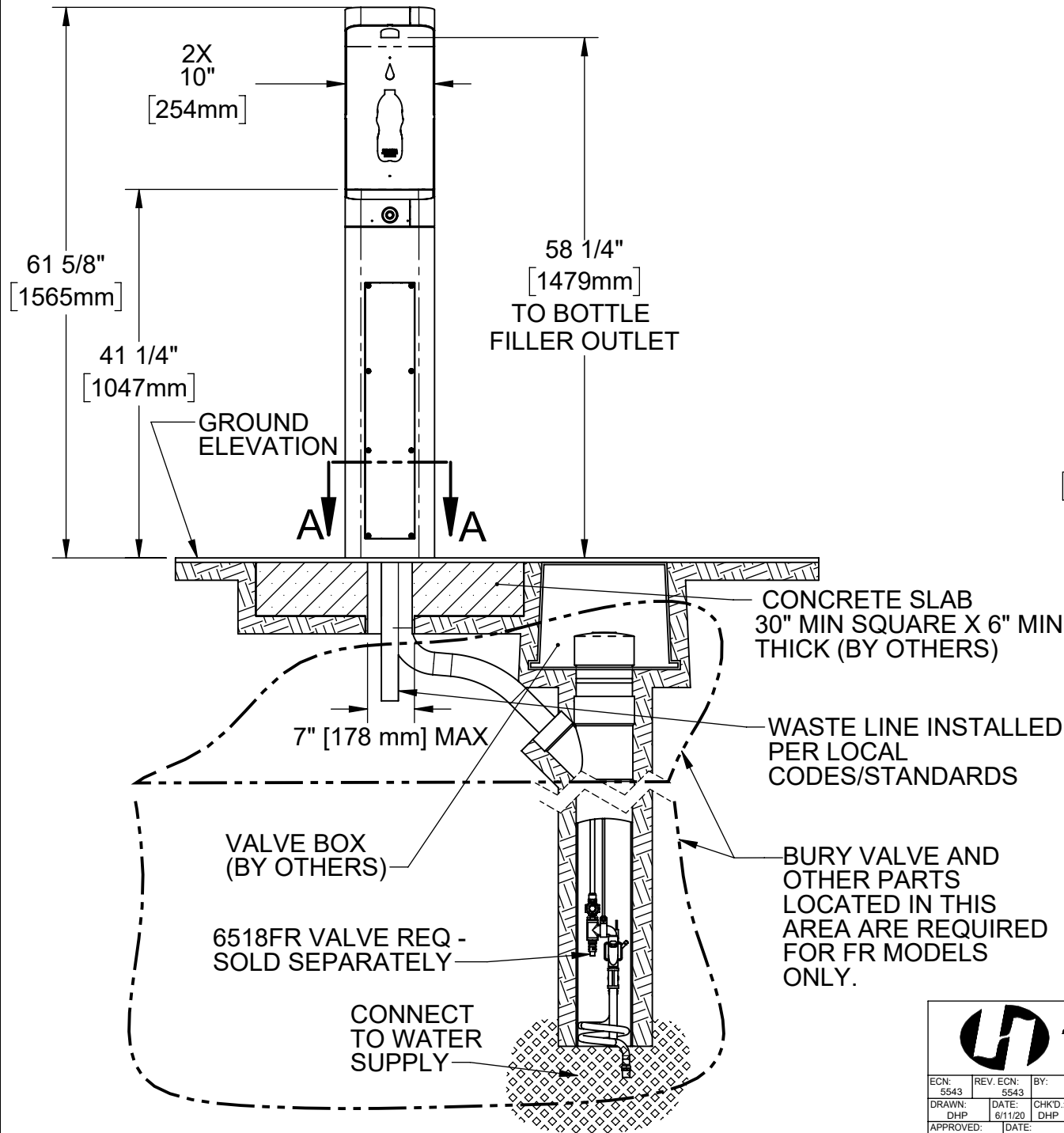


SECTION A-A

NOTE: INSTALLATION MUST COMPLY WITH LOCAL CODES/STANDARDS, INCLUDING ADA CODES, IF APPLICABLE.

1455 KLEPPE LANE
SPARKS, NEVADA 89431
(775) 359-4712 FAX (775) 359-7424
E-MAIL: HAWS@HAWSO.COM
WEBSITE: WWW.HAWSO.COM


ECN: 5543	REV. ECN: 5543	BY: DHP	MODEL(S): 36XX -MODULAR OUTDOOR FOUNTAIN SYSTEM	PART NUMBER: 0510000704.D
DRAWN: DHP	DATE: 6/11/20	CHKD: DHP		REVISION: 4
APPROVED: IR	DATE: 07/01/20	SCALE: 1:24	DRAWING TYPE: INSTALLATION	SIZE: A SHEET 5 OF 8



PLUMBING MUST FIT WITHIN THIS AREA. CAST CONCRETE AROUND CONDUIT(S).

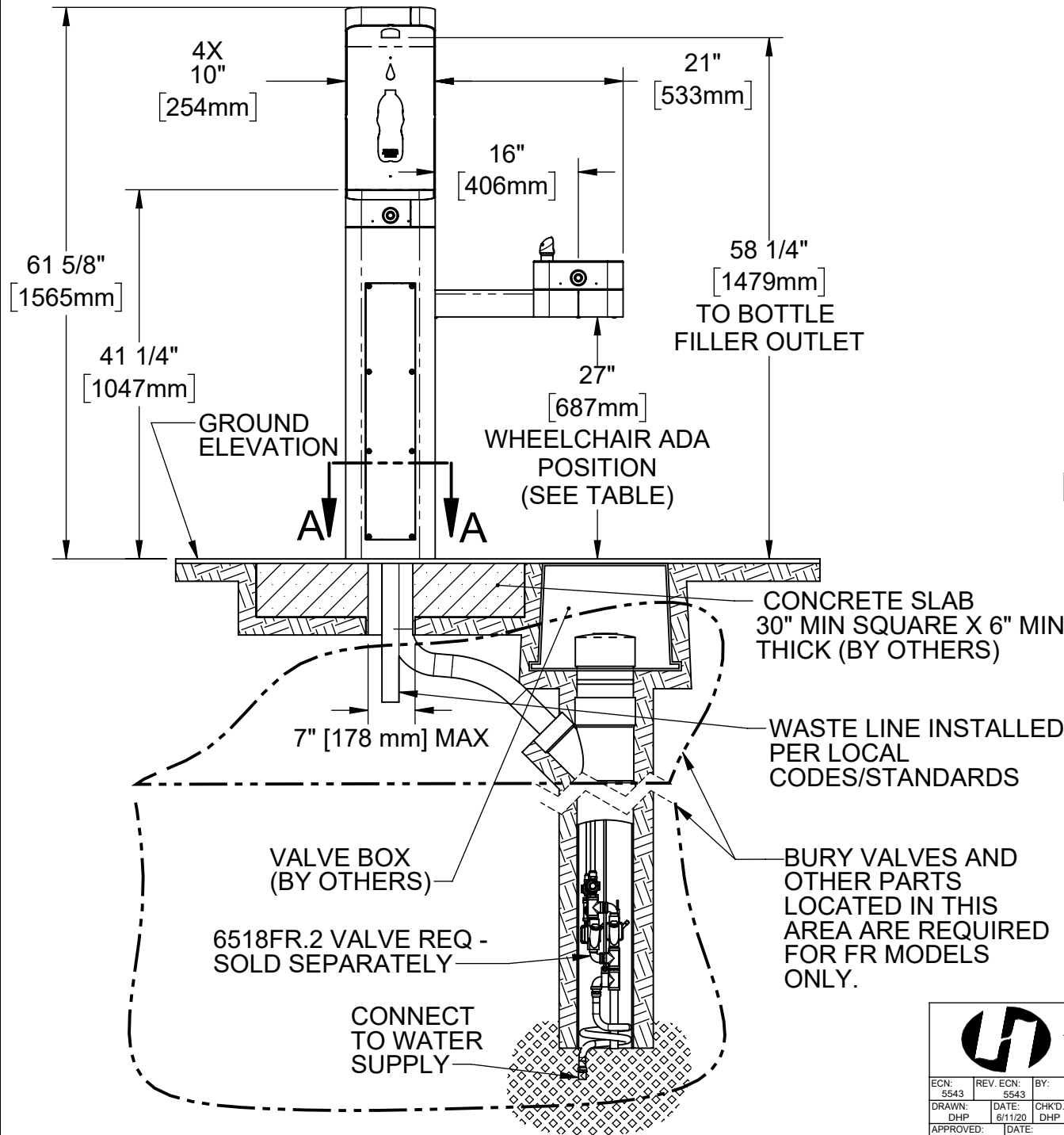
SECTION A-A

NOTE: INSTALLATION MUST COMPLY WITH LOCAL CODES/STANDARDS, INCLUDING ADA CODES, IF APPLICABLE.



1455 KLEPPE LANE
SPARKS, NEVADA 89431
(775) 359-4712 FAX (775) 359-7424
E-MAIL: HAWS@HAWSO.COM
WEBSITE: WWW.HAWSO.COM

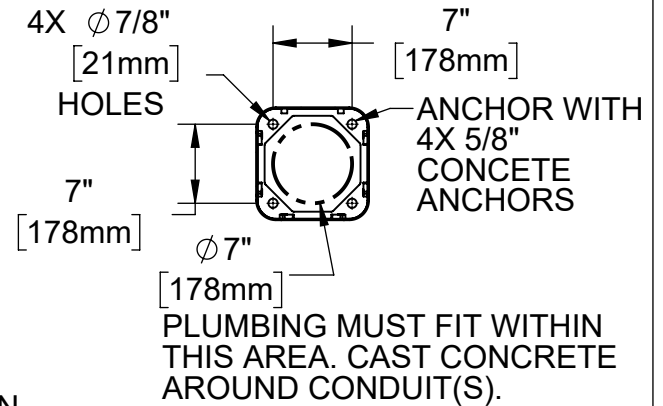
ECN: 5543	REV. ECN: 5543	BY:	MODEL(S) 36XX -MODULAR OUTDOOR FOUNTAIN SYSTEM	PART NUMBER 0510000704.D
DRAWN: DHP	DATE: 6/11/20	CHKD: DHP		REVISION 4
APPROVED: IR	DATE: 07/01/20	SCALE: 1:24	DRAWING TYPE: INSTALLATION	SIZE: A
			SHEET 6 OF 8	



ARM HEIGHT POSITION OPTIONS				
	LEFT SIDE*	RIGHT SIDE*	ARM HEIGHT (LOWER EDGE)	BUBBLER NOZZLE HEIGHT
Standing ADA	Yes (STD)	No	31-7/8 [809 mm]	39-3/8 [999 mm]**
Wheelchair ADA	Yes	Yes (STD)	27 [687 mm]	34-5/8 [878 mm]
Child ADA	Yes	Yes	22-1/4 [566 mm]	29-7/8 [757 mm]

* RIGHT AND LEFT CAN BE REVERSED IF PEDESTAL IS ROTATED 180°.

**NOZZLE HEIGHT IS 41-1/2" WHEN BUBBLER/BOWL IS INSTALLED ON PEDESTAL SUCH AS ON MODEL 3602.

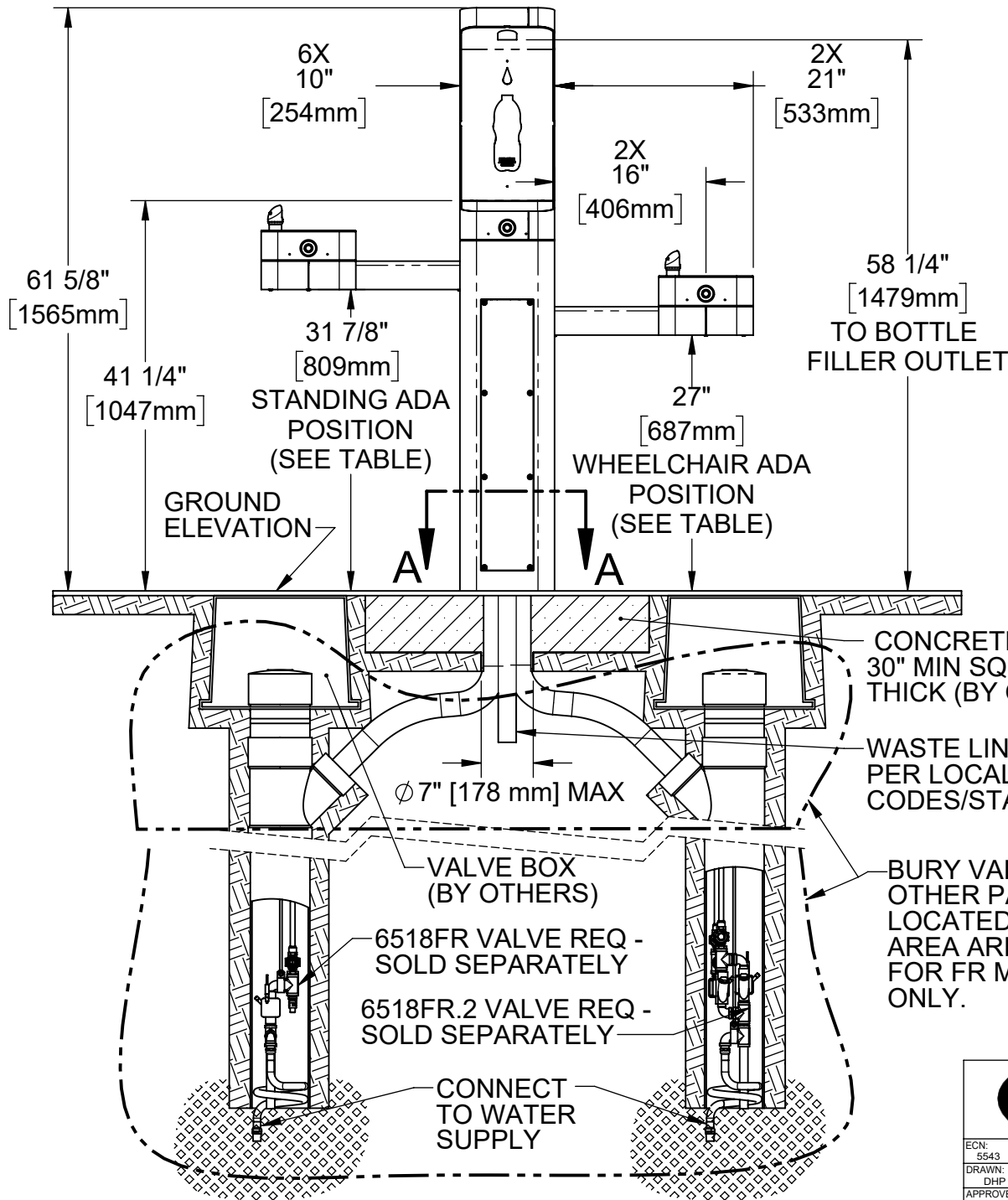


SECTION A-A

NOTE: INSTALLATION MUST COMPLY WITH LOCAL CODES/STANDARDS, INCLUDING ADA CODES, IF APPLICABLE.

1455 KLEPPE LANE
SPARKS, NEVADA 89431
(775) 359-4712 FAX (775) 359-7424
E-MAIL: HAWS@HAWSO.COM
WEBSITE: WWW.HAWSO.COM

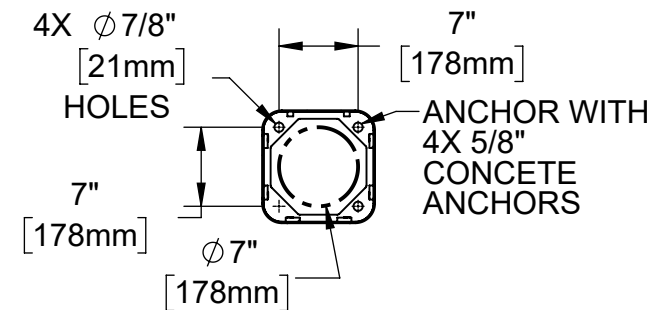
ECN: 5543	REV. ECN: 5543	BY:	MODEL(S): 36XX -MODULAR OUTDOOR FOUNTAIN SYSTEM	PART NUMBER: 0510000704.D
DRAWN: DHP	DATE: 6/11/20	CHKD: DHP		REVISION: 4
APPROVED: IR	DATE: 07/01/20	SCALE: 1:24	DRAWING TYPE: INSTALLATION	SIZE: A SHEET 7 OF 8



ARM HEIGHT POSITION OPTIONS				
	LEFT SIDE*	RIGHT SIDE*	ARM HEIGHT (LOWER EDGE)	BUBBLER NOZZLE HEIGHT
Standing ADA	Yes (STD)	No	31-7/8 [809 mm]	39-3/8 [999 mm]**
Wheelchair ADA	Yes	Yes (STD)	27 [687 mm]	34-5/8 [878 mm]
Child ADA	Yes	Yes	22-1/4 [566 mm]	29-7/8 [757 mm]

* RIGHT AND LEFT CAN BE REVERSED IF PEDESTAL IS ROTATED 180°.

**NOZZLE HEIGHT IS 41-1/2" WHEN BUBBLER/BOWL IS INSTALLED ON PEDESTAL SUCH AS ON MODEL 3602.



PLUMBING MUST FIT WITHIN THIS AREA. CAST CONCRETE AROUND CONDUIT(S).

SECTION A-A

NOTE: INSTALLATION MUST COMPLY WITH LOCAL CODES/STANDARDS, INCLUDING ADA CODES, IF APPLICABLE.

1455 KLEPPE LANE
SPARKS, NEVADA 89431
(775) 359-4712 FAX (775) 359-7424
E-MAIL: HAWS@HAWS.CO.COM
WEBSITE: WWW.HAWS.CO.COM

ECN: 5543	REV. ECN: 5543	BY:	MODEL(S): 36XX - MODULAR OUTDOOR FOUNTAIN SYSTEM	PART NUMBER: 0510000704.D
DRAWN: DHP	DATE: 6/11/20	CHKD: DHP		REVISION: 4
APPROVED: IR	DATE: 07/01/20	SCALE: 1:24	DRAWING TYPE: INSTALLATION	SIZE: A SHEET 8 OF 8