



model 4210

Deck-Mounted Drinking Fountain

FEATURES & BENEFITS

GALVANIZED FINISH

Tough galvanized coating is ideal for areas where vandalism and graffiti is an issue. Due to the galvanizing process, appearance of the finish may vary.

OPTIONS

- ❑ **Bubbler Valve:** Model 5054LF, lever handle, polished chrome-plated brass deck mounted drinking faucet with automatic stream regulation.
- ❑ **Bubbler Valve:** Model 5051LF, polished chrome-plated, self-closing, lever handle, sink or deck mounted bubbler valve with adjustable stream regulation.
- ❑ **Bubbler Valve:** Model 5017LF, polished chrome-plated sink or counter mounted drinking faucet with renewable control cartridge.
- ❑ **Waste Strainer:** Model 6455, polished chrome-plated brass flat waste strainer.

To see all options for this model, visit www.hawesco.com



SPECIFICATIONS

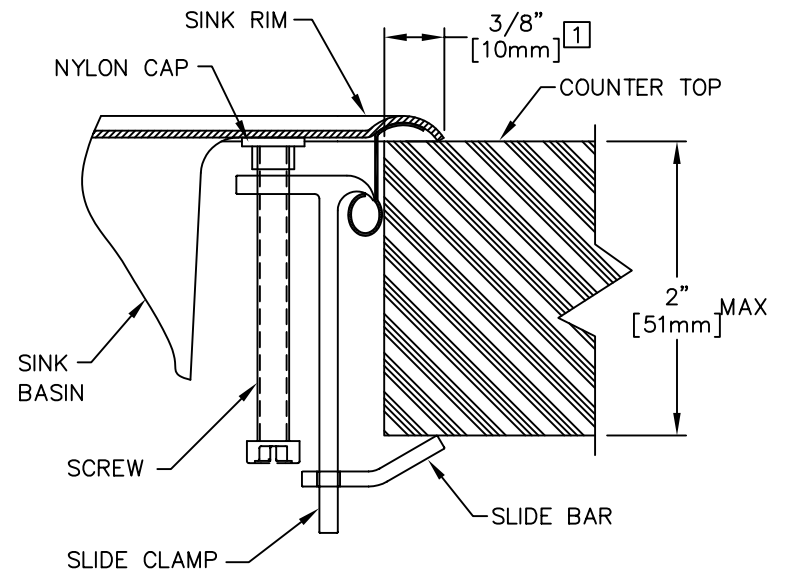
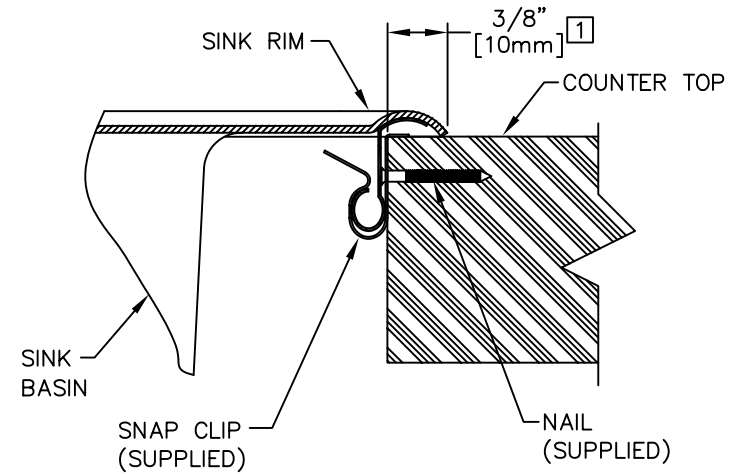
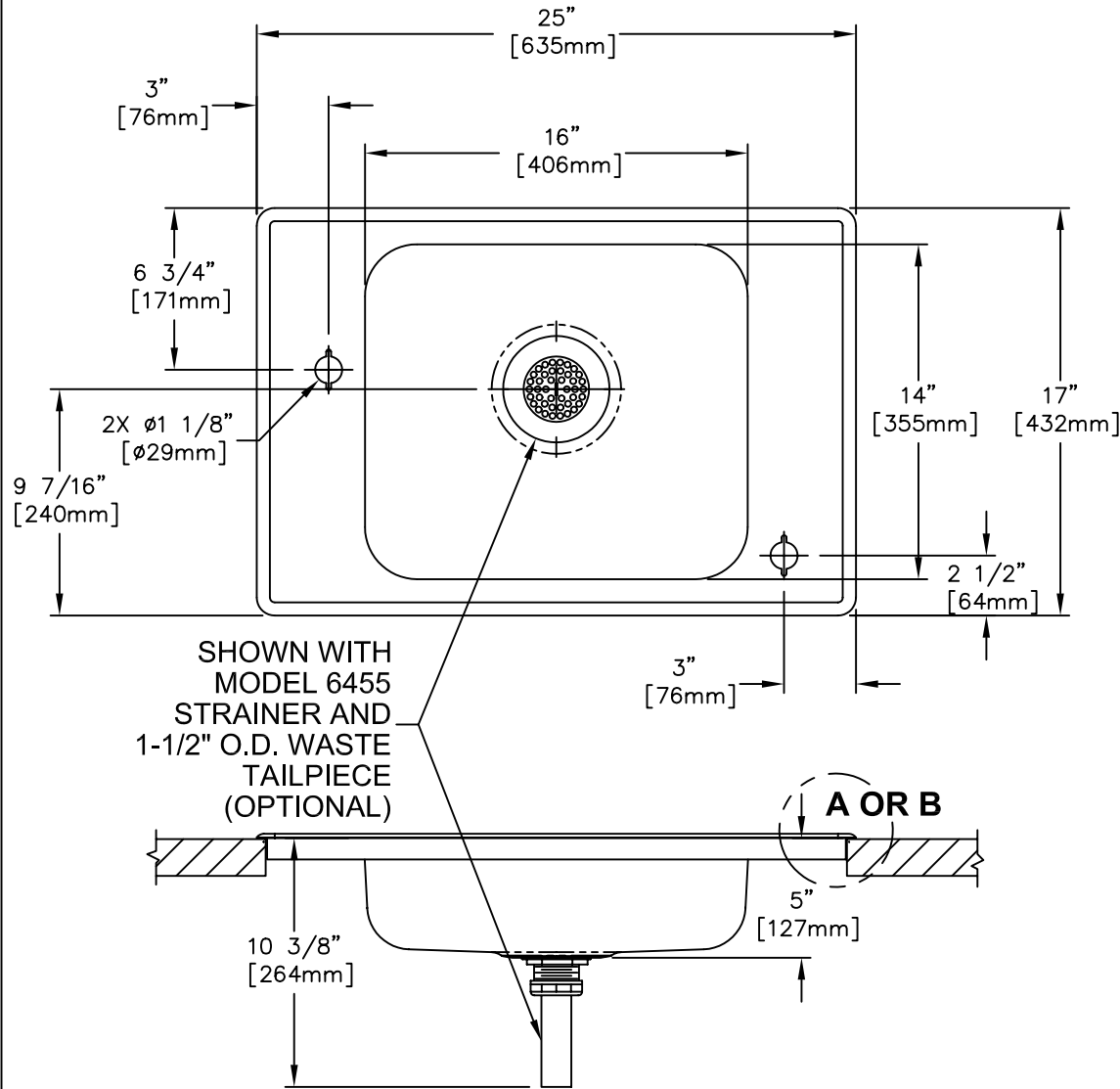
Model 4210 deck mounted sink shall include a Type 304 Stainless Steel satin-finish, 18 gauge stainless steel basin with integral rim and 25" x 17" x 5" (63.5 x 43.2 x 12.7 cm) deep dimensions and barrier-free capabilities when installation guidelines are followed, and two cross-slotted holes to accept faucets.

APPLICATIONS

Perfect for either public or private indoor settings, the 4210 is a great fit in areas where a countertop is the best fit for a drinking faucet/sink mount. Specifically, this type of deck mounted sink may be placed in settings such as: schools classrooms, laboratories, and other facilities where the need for a deck mounted sink/fountain is present. Dual purpose abilities allow the unit to provide multiple functions in one area and not take up excess space.

Model meets all current Federal Regulations for the disabled including those in the Americans with Disabilities Act. Haws manufactures drinking fountains and electric water coolers to be lead-free by all known definitions including NSF/ANSI Standard 61, Section 9, California Proposition 65, and the Federal Safe Drinking Water Act.

THIS DOCUMENT IS TRUE AND CORRECT AT TIME OF PUBLICATION. CONTINUED PRODUCT IMPROVEMENTS MAKE SPECIFICATIONS AND MEASUREMENTS SUBJECT TO CHANGE WITHOUT NOTICE.



NOTE:

- 1 MAKE SURE CUTOUT IS 3/8" LESS THAN SINK RIM AROUND ALL EDGES.
CAUTION: DO NOT CUT HOLE IN COUNTERTOP UNTIL SINK IS AT HAND.

		1455 KLEPPE LANE SPARKS, NEVADA 89431 (775) 359-4712 FAX (755) 359-7424 E-MAIL: HAWS@HAWS.CO.COM WEBSITE: WWW.HAWS.CO.COM	
		ECN NO. REVIS PER BY: ECN: 4603 HM	MODEL(S)
DRAWN: CJL	DATE: 04/93	CHKD:	DRAWING NO. REV 02042C00 17
APPROVED:	DATE:	SCALE: 1:8	DRAWING TYPE: ENVELOPE SIZE: A SHEET 1 OF 1