

## FEATURES & BENEFITS

### QUALITY

Bubbler is pre-built and fully water and pressure tested to ensure no leaks and proper function for reduced installation time and added peace of mind.

### BUBBLER HEAD

Polished chrome-plated brass bubbler head is equipped with a shielded, anti-squirt orifice that provides a steady sanitary source of water.

### VALVE

Polished chrome-plated, lead-free brass, lever handle self-closing valve features automatic pressure compensation stream control.



## OPTIONS

- ❑ Repair Kit: Model 5800VRKT valve repair kit contains a bearing set, gland packing, spring washer, spring, renew seat, seat washer, seat o-ring, bonnet washers and bottom cap washer. For repair of many lever handle valves. Used on models from 2005 and newer.

To see all options for this model, visit [www.hawesco.com](http://www.hawesco.com)

## SPECIFICATIONS

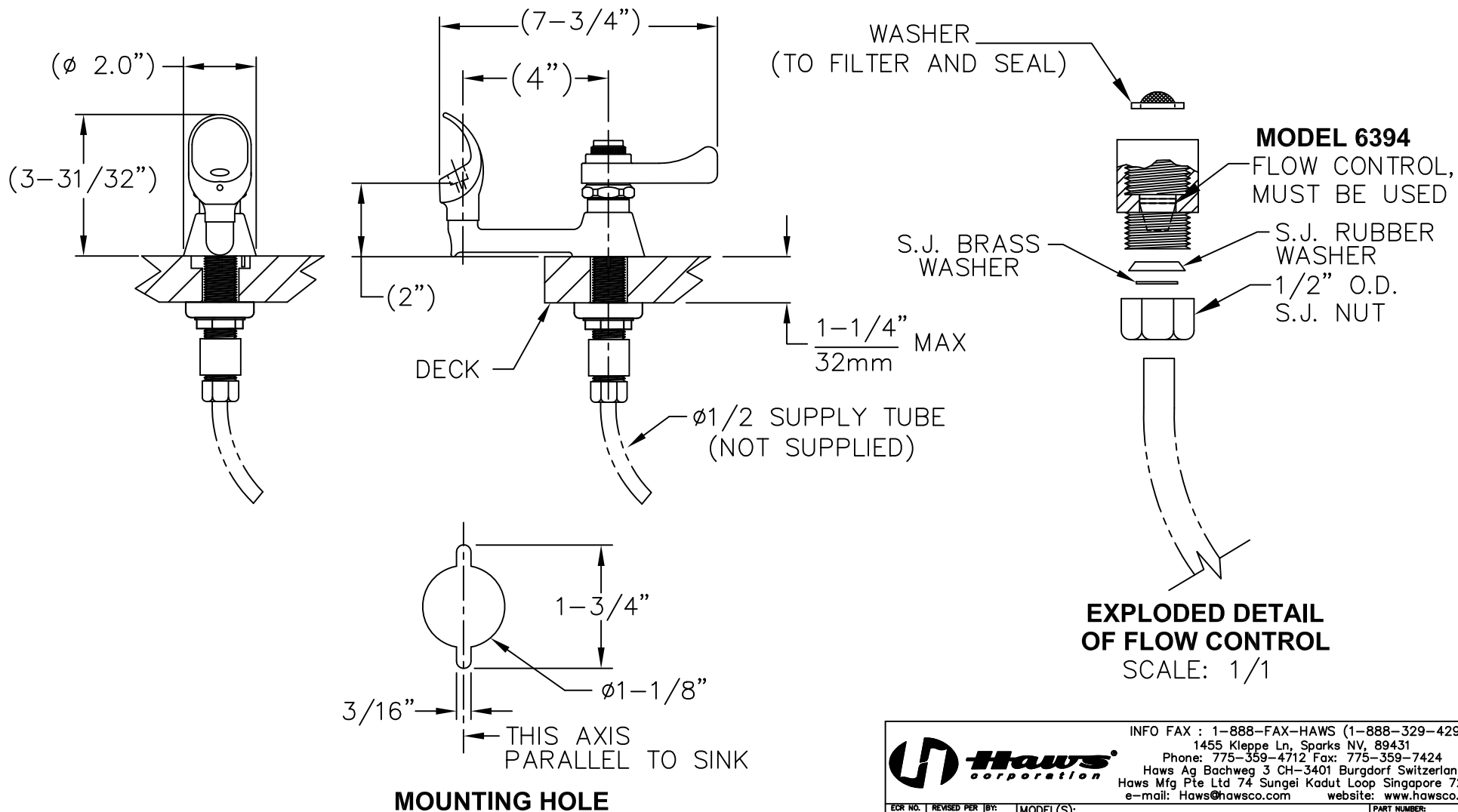
Model 5054LF sink or deck mounted bubbler valve shall include a polished chrome-plated brass lever handle operated self-closing valve with vandal-resistant locking pins, shielded anti-squirt vandal resistant polished chrome-plated brass bubbler head, self-regulating flow control assembly, and 1/2" O.D. (1.3 cm) slip-joint inlet.

## APPLICATIONS

Perfect for either public or private indoor settings, the 5054LF is a great fit in areas where a countertop is in close proximity to a sink/bowl. Specifically, this type of deck mounted drinking faucet may be placed in settings such as: schools, classrooms, laboratories, and other facilities where the need for a deck mounted sink/faucet is present. This product meets ADA requirements, and is compliant to California Health and Safety Code 116875 (AB 1953-2006).

**NOTES:**

1. BE SURE INDEXING PINS ARE INSTALLED AND ORIENTED TO ACCOMODATE YOUR DESIRED MOUNTING
2. THE HANDLE/STEM REPAIR KIT FOR THIS MODEL IS: 5830HST.
3. THE VALVE REPAIR KIT FOR THIS MODEL IS: 5800VRKT.



		INFO FAX : 1-888-FAX-HAWS (1-888-329-4297) 1455 Kleppe Ln, Sparks NV, 89431 Phone: 775-359-4712 Fax: 775-359-7424 Haws Ag Bachweg 3 CH-3401 Burgdorf Switzerland Haws Mfg Pte Ltd 74 Sungei Kadut Loop Singapore 729531 e-mail: Haws@hawsco.com website: www.hawsco.com	
ECR NO.	REVISED PER	BY:	MODEL(S):
	ECN: 3907	HM	5054LF
DRAWN:	DATE:	CHK'D:	
K.H.	09/98		
APPROVED:	DATE:		
SCALE: 1:4		DRAWING TYPE: INSTALLATION/FAXBACK	
PART NUMBER:		DRAWING NUMBER:	
0002077540		12607A00	
REV.:		REV.:	
6		6	
SIZE: A		SHT. 1 OF 1	