



model **5874SS**  
Faucets and Valves

## FEATURES & BENEFITS

### DESIGN

With its special push-button design which allows for front access stream adjustment as well as cartridge and strainer access, this valve offers the ultimate in ease of maintenance.

## OPTIONS

- Repair Kit: Model VRK5874, valve repair kit for Model 5874.

To see all options for this model, visit [www.hawsco.com](http://www.hawsco.com)

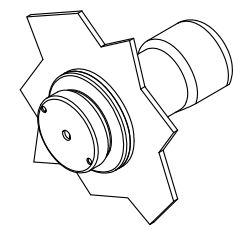
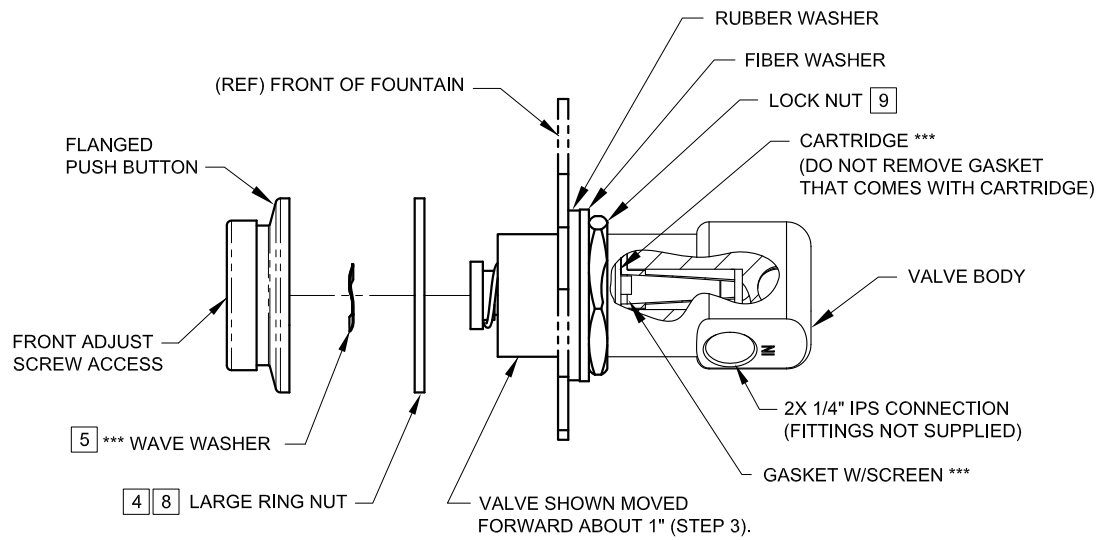


## SPECIFICATIONS

Model 5874SS fountain valve is a stainless steel push button valve with front stream adjustment and cartridge servicing. It uses automatic pressure regulation from 30 - 90 psi (2.1 - 6.2 bar) and has a 1/4" IPS inlet and outlet.

## APPLICATIONS

Specifically, this valve is a replacement valve for most Haws fountains produced after October of 2003. Product is compliant to California Health and Safety Code 116875 (AB 1953-2006).



ASSEMBLED 5874PBF  
(FLUSH MOUNT APPLICATION)

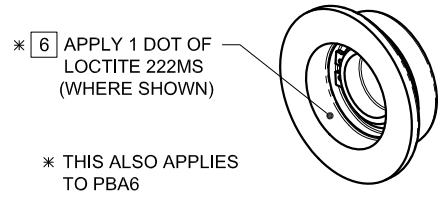
**SEE SHEET 2 OF 2 FOR RECESSED MOUNT INSTRUCTIONS.**

\*\*\* MODEL VRK5874 - VALVE REPAIR KIT (INCLUDES THESE ITEMS)  
USED ON ALL 5874SS SERIES VALVES

**INSTALLATION INSTRUCTIONS FOR 5874PBF OR 5874SS W/ PBA6**

- 1) FOLLOW INSTRUCTIONS CAREFULLY ON O&M MANUAL (PAGE 2 OF 6) WHEN REMOVING OLD VALVE. **NOTE: SEE PARTS BREAKDOWN (PAGE 4 OF 6) FOR ADDITIONAL NOTES.**
- 2) VERIFY THAT LOCK NUT, FIBER, AND RUBBER WASHERS ARE POSITIONED SLIGHTLY PAST MIDWAY OF THREADS ON NEW VALVE BODY.
- 3) INSERT VALVE INTO FOUNTAIN FROM INSIDE AND PUSH FORWARD ABOUT 1".
- 4) THREAD LARGE RING NUT ONTO VALVE BODY, APPROXIMATELY 1" INTO VALVE.
- 5) PLACE WAVE WASHER INSIDE OF FLANGED PUSH BUTTON ASSEMBLY (**MUST BE IN PLACE**).
- 6) APPLY ONE (1) DOT OF LOCTITE 222MS, ON THE FEMALE THREADS OF BUTTON ASSEMBLY LEAVING THE FIRST AND LAST THREADS FREE. (FIGURE 1). **CAUTION: EXCESS LOCTITE CAN CAUSE THREADS TO LOCK VERY TIGHTLY, MAKING REPAIRS DIFFICULT.**
- \*\*7) THREAD FLANGED PUSH BUTTON ASSEMBLY ON VALVE UNTIL WAVE WASHER MAKES SLIGHT CONTACT WITH STEM OF CARTRIDGE. **CAUTION: DO NOT HAND-TIGHTEN.**
- 8) UNTHREAD RING NUT FORWARD UNTIL IT STOPS FLUSH WITH PUSH BUTTON ASSEMBLY.
- 9) PUSH VALVE BACK TOWARD THE INSIDE OF FOUNTAIN AND TIGHTEN LOCKNUT (SEE ILLUSTRATION ABOVE).
- 10) TIGHTEN PUSH BUTTON ASSEMBLY USING UNIVERSAL SPANNER WRENCH PROVIDED.

\*\* OVERTIGHTENING WILL PRE-ACTUATE VALVE AND CAUSE WEEPAGE, WHILE NOT ENOUGH CONTACT BETWEEN WAVE WASHER AND STEM CAN CAUSE A LOW FLOW CONDITION.



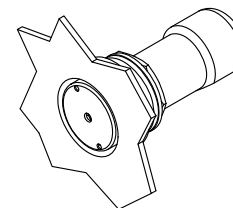
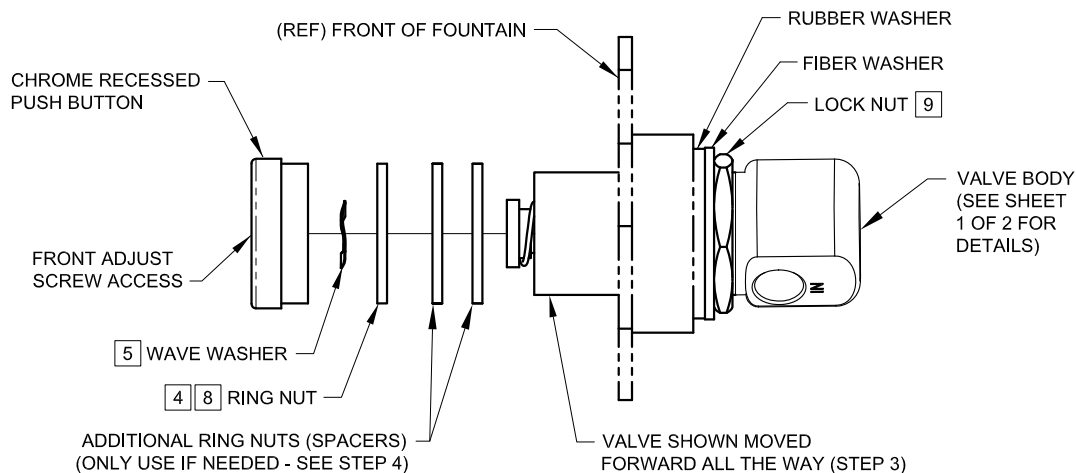
\* 6) APPLY 1 DOT OF LOCTITE 222MS (WHERE SHOWN)

\* THIS ALSO APPLIES TO PBA6

FIGURE 1

**NOTE!**  
THIS VALVE IS PRESSURE COMPENSATING. BE SURE TO REMOVE ANY EXISTING FLOW CONTROL DEVICES. (MAY BE PRESENT IN FITTING OR SPUD).

|            |  |   |   |
|------------|--|---|---|
|            |  | 1455 KLEPPE LANE<br>SPARKS, NEVADA 89431<br>(775) 359-4712 FAX (775) 359-7424<br>E-MAIL: HAWS@HAWS.CO.COM<br>WEBSITE: WWW.HAWS.CO.COM |   |
|            |  | ECN NO. 4250<br>DRAWN: HLMERRITT<br>APPROVED:   | REVISED PER: ECN: 4553<br>DATE: 04/09/09<br>DATE: |
| SCALE: 1:1 |  | DRAWING TYPE: INSTALLATION  | SIZE: A SHEET 1 OF 2                              |

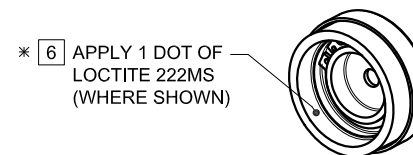


ASSEMBLED 5874PB  
(RECESSED MOUNT APPLICATION)

SEE SHEET 1 OF 2 FOR FLUSH MOUNT INSTRUCTIONS.

### INSTALLATION INSTRUCTIONS FOR 5874PB OR 5874SS W/ PBA7

- 1) FOLLOW INSTRUCTIONS CAREFULLY ON O&M MANUAL (PAGE 2 OF 6) WHEN REMOVING OLD VALVE. **NOTE: SEE PARTS BREAKDOWN (PAGE 4 OF 6) FOR ADDITIONAL NOTES.**
  - 2) VERIFY THAT LOCK NUT, FIBER, AND RUBBER WASHERS ARE POSITIONED TOWARD BOTTOM END OF THREADS ON NEW VALVE BODY.
  - 3) INSERT VALVE INTO FOUNTAIN FROM INSIDE, AND PUSH ALL THE WAY FORWARD (SEE ILLUSTRATION ABOVE).
  - 4) THREAD RING NUT ONTO VALVE BODY, AS FAR IN AS POSSIBLE, TOWARD FRONT OF FOUNTAIN. **NOTE: IF REPLACING A 5871 OR 5872 SERIES VALVE, YOU MAY HAVE TO PLACE ADDITIONAL RING NUTS ( TO BE USED AS SPACERS AND SUPPLIED W/5874PB) IN FRONT OF THE RING NUT (SEE ILLUSTRATION ABOVE), TO ALLOW NEW LONGER VALVE TO FIT IN A TIGHT LOCATION.**
  - 5) PLACE WAVE WASHER INSIDE OF PUSH BUTTON ASSEMBLY (**MUST BE IN PLACE**).
  - 6) APPLY ONE (1) DOT OF LOCTITE 222MS, ON THE FEMALE THREADS OF BUTTON ASSEMBLY LEAVING THE FIRST AND LAST THREADS FREE. (FIGURE 1). **CAUTION: EXCESS LOCTITE CAN CAUSE THREADS TO LOCK VERY TIGHTLY, MAKING REPAIRS DIFFICULT.**
  - \*\*7) THREAD PUSH BUTTON ASSEMBLY ON VALVE UNTIL WAVE WASHER MAKES SLIGHT CONTACT WITH STEM OF CARTRIDGE. **CAUTION: DO NOT HAND-TIGHTEN.**
  - 8) UNTHREAD RING NUT FORWARD UNTIL IT STOPS FLUSH WITH PUSH BUTTON ASSEMBLY.
  - 9) PUSH VALVE BACK TOWARD THE INSIDE OF FOUNTAIN AND TIGHTEN LOCKNUT (SEE ILLUSTRATION ABOVE).
  - 10) TIGHTEN PUSH BUTTON ASSEMBLY USING UNIVERSAL SPANNER WRENCH PROVIDED.
- \*\* OVERTIGHTENING WILL PRE-ACTUATE VALVE AND CAUSE WEEPAGE, WHILE NOT ENOUGH CONTACT BETWEEN WAVE WASHER AND STEM CAN CAUSE A LOW FLOW CONDITION.



\* 6) APPLY 1 DOT OF LOCTITE 222MS (WHERE SHOWN)

\* THIS ALSO APPLIES TO PBA7

FIGURE 1

### NOTE!

THIS VALVE IS PRESSURE COMPENSATING. BE SURE TO REMOVE ANY EXISTING FLOW CONTROL DEVICES. (MAY BE PRESENT IN FITTING OR SPUD).

|            |  |   |   |
|------------|--|---|---|
|            |  | 1455 KLEPPE LANE<br>SPARKS, NEVADA 89431<br>(775) 359-4712 FAX (775) 359-7424<br>E-MAIL: HAWS@HAWS.CO.COM<br>WEBSITE: WWW.HAWS.CO.COM |   |
|            |  | ECN NO. 4250<br>DRAWN: H. MERRITT<br>APPROVED:  | REVISED BY: VWC<br>ECN: 4553<br>DATE: 04/09/09<br>DATE: |
| SCALE: 1:1 |  | DRAWING TYPE: INSTALLATION  | SIZE: A SHEET 2 OF 2                                    |