



model 6275
Faucets and Valves

FEATURES & BENEFITS

OPTIONS

To see all options for this model, visit www.hawesco.com

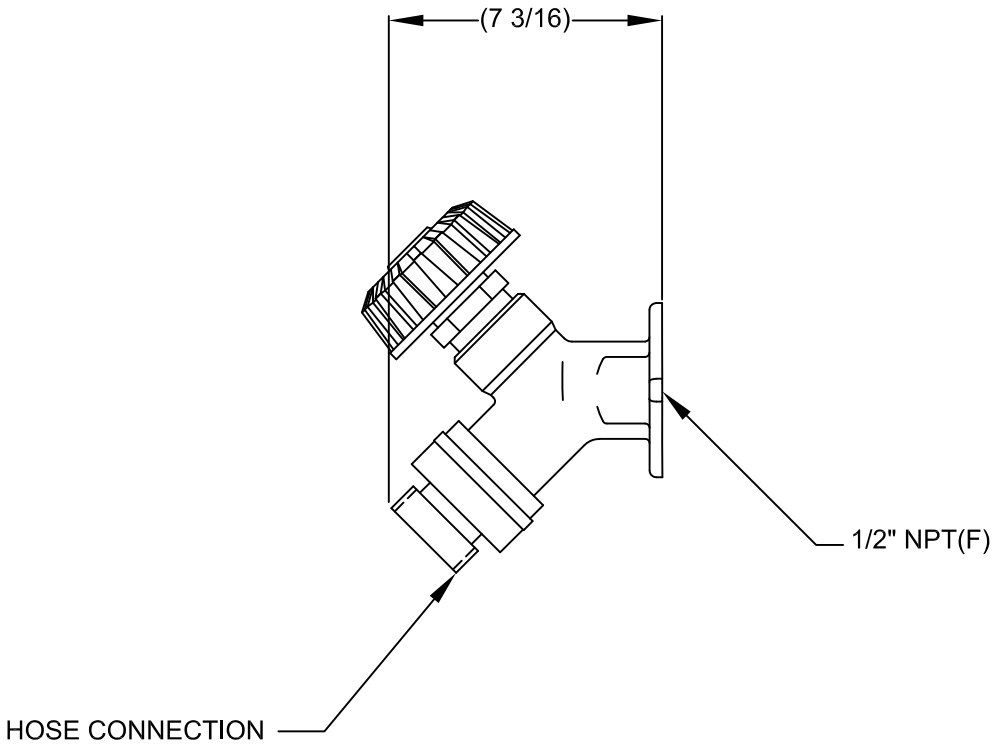
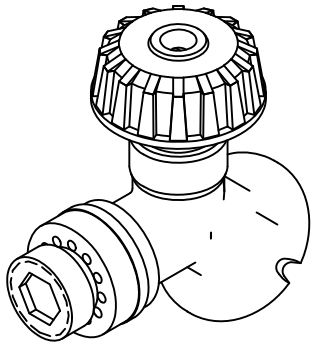



SPECIFICATIONS

Model 6275 compression hose bib faucet is designed to activate through a turn knob on the top of the unit. Connection is 3/4" male hose thread x 1/2" IPS inlet.

APPLICATIONS

Perfect for either public or private indoor/outdoor settings, the 6275 is a great fit in areas where a hose may need to be hooked up for a more powerful water source. Specifically, this type of horizontally mounted bib faucet may be placed in settings such as: schools, campgrounds, laboratories, classrooms, restaurants, pool or beach areas, and other facilities where the need for a source of water is present.



 Haws [®]		1455 KLEPPE LANE SPARKS, NEVADA 89431 (775) 359-4712 FAX (755) 359-7424 E-MAIL: HAWS@HAWS.CO.COM WEBSITE: WWW.HAWS.CO.COM	
		ECN NO. REVISED PER BY: HM ECN: 4646	MODEL(S) 6275 BIB FAUCET
DRAWN: C. HAYES	DATE: 05/91	CHK'D.:	DRAWING NO. 09433C00
APPROVED:	DATE:	SCALE: 1:4	DRAWING TYPE: INSTALLATION
		SIZE: A	SHEET 1 OF 1