

FEATURES & BENEFITS

ACCESSIBLE

Designed to be ADA-compliant with a wheelchair-accessible eye/face wash when sink is installed at its appropriate height.

EYE/FACE WASH

Unit activates via a simple pull-down motion and provides the coverage and flow of an eye/face wash, while keeping flow within sink. AXION® MSR head uses an inverted directional laminar flow to sweep contaminants away from the vulnerable nasal cavity.

FAUCET

Utilizes a touchless gooseneck faucet that provides 1.2 GPM of laminar flow for handwashing purposes. A 0.5 gpm laminar flow nozzle also included for instances when low flow is required. Faucet may be powered via 110VAC wall power or battery power.

MIXING VALVE

Single ASSE 1071-certified Haws 9201EW brass thermostatic mixing valve simplifies internal plumbing while feeding both eye/face wash and faucet with 85°F (29°C) tempered water. Temperature is adjustable between 60-90°F (15-32°C). Both hot and cold inlets are protected by inline strainers.

CONSTRUCTION

Brushed 14-gauge 304 stainless steel construction, 24" wide, with a material for sound deadening and condensation reduction applied to the underside. Plumbing is contained within a spacious lower compartment with removable front panel.

OPTIONS

- 2.2 GPM Nozzle: Optional 2.2 gpm laminar flow nozzle (part number 0110001499) for the faucet used with models 7660 and 7661.
- On-wall Mounting Plate: Model 6776 in-wall 3/16" thick steel pre-drilled mounting plate provides robust mounting for 7660 & 7661 sinks.
- In-wall Carrier: Model 6800 universal in-wall mounting support for use with most fountains.
- Test Tags: SP170 is a green waterproof test card with space for date and initials of inspector. Pack of 25 tags with matching wire ties.

For more information, visit www.hawsc.com or call (888) 640-4297.



SPECIFICATIONS

Model 7660 is a wall-mounted barrier-free hand wash sink equipped with a motion-activated goose-neck faucet. 24" wide 14 Gauge Type 304 Stainless Steel sink and wall supports incorporate a durable satin finish, and a removable front panel for access to the plumbing. Hand-wash motion-activated faucet provides 1.2 gpm of laminar flow, includes a separate 0.5 gpm laminar flow nozzle when low flow is required, and is powered via 110VAC wall power or battery power. Included is the Haws AXION MSR pulldown eye/face wash which features an inverted directional laminar flow and achieves Zero Vertical Velocity™, supplied by an integral 3.7 gpm flow control and yellow pop-off dust cover. An ASSE 1071-certified adjustable thermostatic mixing valve tempers the hot and cold water inlets, supplying both the faucet and the eye/face wash to ensure user comfort and ANSI compliance. 1-1/2" male NPT integral drain with 1-1/2" tailpiece and trap are included. Also included: universal eyewash sign and operation label, along with a full-sized rough-in template for easy installation.

APPLICATIONS

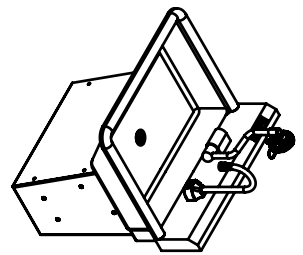
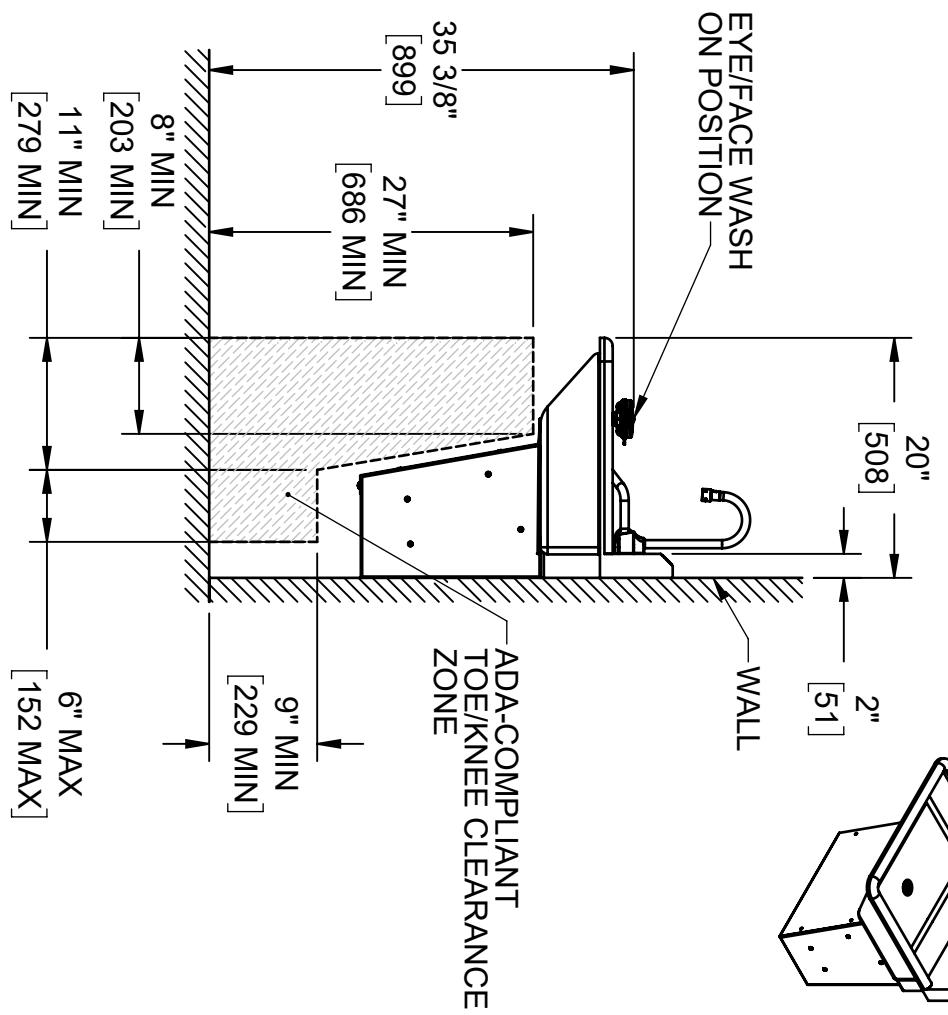
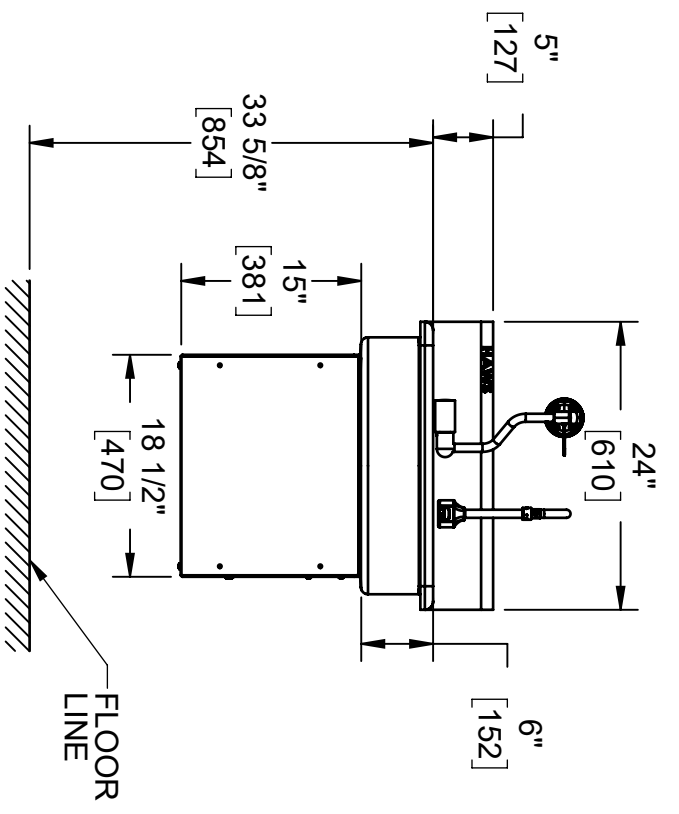
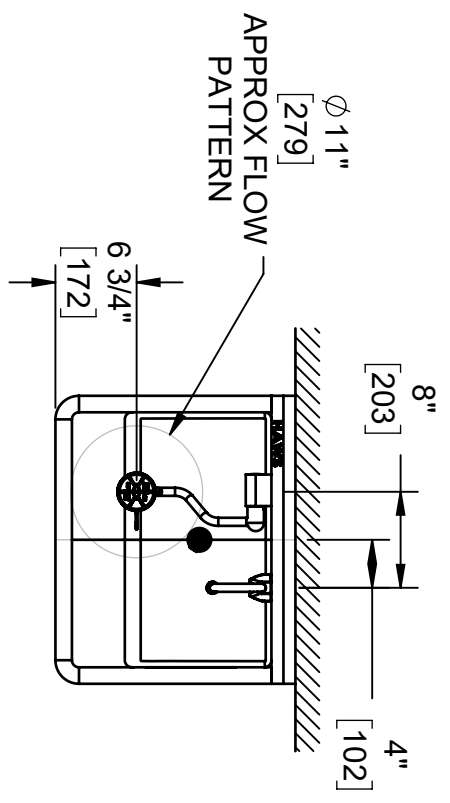
The 7660 is specifically intended for use where an isolated, turnkey station for hand wash and eyewash is required or desired. When installed appropriately, these models can provide compliance to eyewash/hand wash requirements of USP 797, USP 800.

Where safety is of the utmost importance and the eyes of any person may be exposed to injurious or corrosive materials, suitable facilities for quick flushing and cleansing of the eyes must be provided within the work area for immediate emergency use. When installed properly, these models can accommodate barrier-free access. Models are certified by CSA to meet the ANSI Z358.1 (Standard for Emergency Eyewash and Shower Equipment), CSA B125.1, and CSA B45.4.

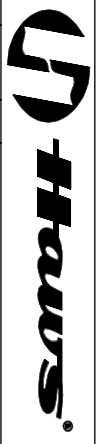


NOTES:

1. WHEN INSTALLING THIS UNIT, LOCAL, STATE, OR FEDERAL CODES SHOULD BE ADHERED TO FOR INSTALLATIONS (LOCATIONS), WASTE AND SUPPLY REQUIREMENTS OTHER THAN SHOWN.
2. HOLD PLUMBING & ELECTRICAL DIMENSIONS ± 1/4" [6.4MM]. HOLD MOUNTING DIMENSIONS ± 1/8" [3.2MM].

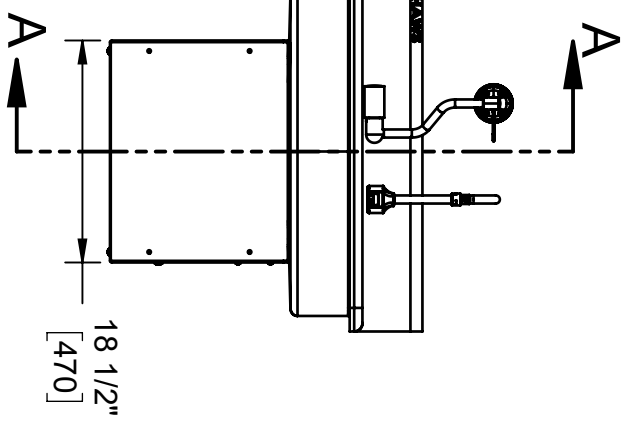
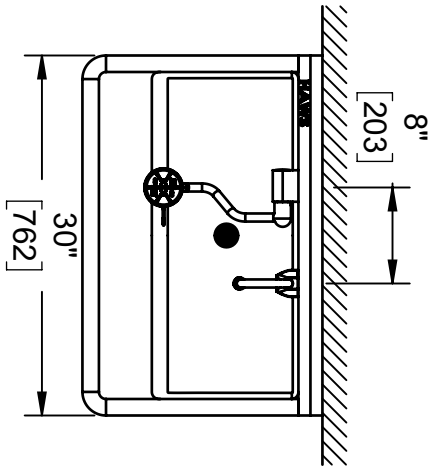


**HAWS MODEL 7660
24" WIDE SINK**

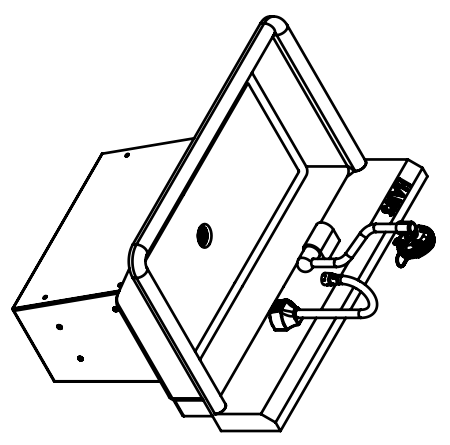


1455 KLEPPE LANE
SPARKS, NEVADA, 89431
(775) 359-4712 FAX (775) 359-7424
E-MAIL: HAWS@HAWS.CO.COM
WEBSITE: WWW.HAWS.CO.COM

ENCL. 5806	REV. ENCL. BY:	MODEL(S)	7660 & 7661
DRAWING DATE: 08/23/10	DATE: 08/23/10	DATE: 08/23/10	DATE: 08/23/10
APPROVED: DHP	SCALE: 1:6	DRAWING TYPE: INSTALLATION	SIZE: A
EYE/FACE WASH AND HANDWASH STATION		PART NUMBER: 0510002058 D	REVISION: 3

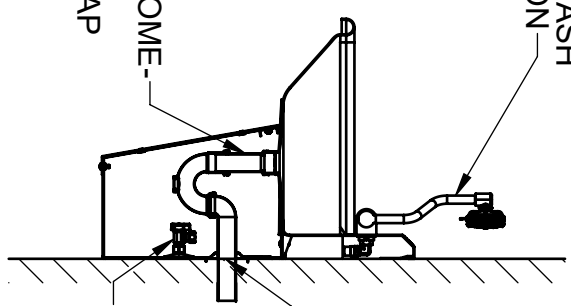


**HAWES MODEL 7661
30" WIDE SINK**



EYE/FACE WASH
OFF POSITION

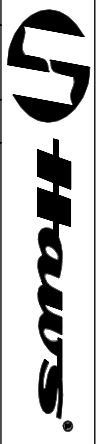
1-1/2" DRAIN: CHROME-
PLATED BRASS
TAILPIECE & P-TRAP
(SUPPLIED)



1-1/2" SLIP JOINT
CONNECTION (BY OTHERS)

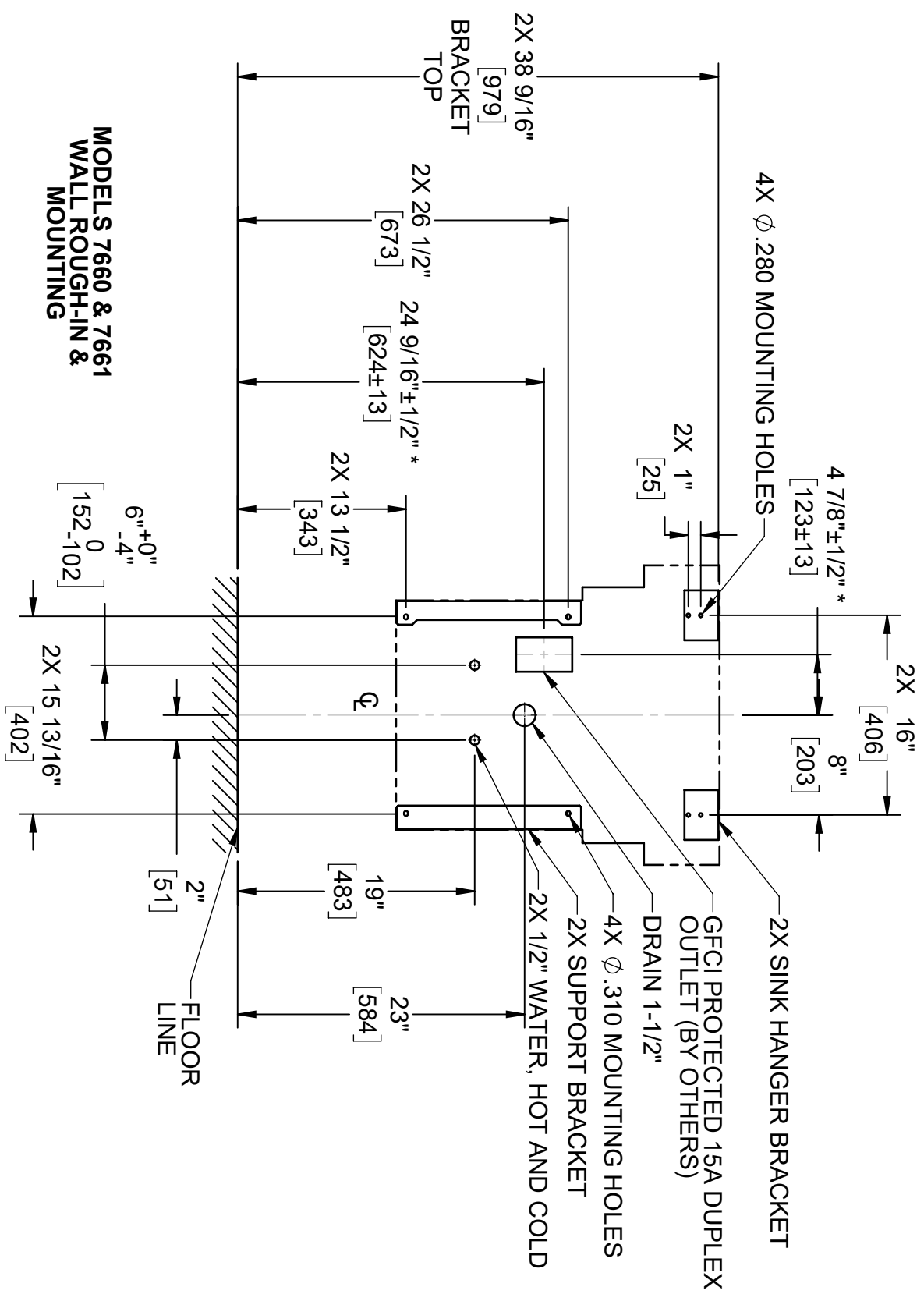
1/2" OD COMPRESSION
WATER SHUT-OFF
VALVES (BY OTHERS)

SECTION A-A

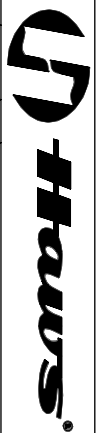


1455 KLEPPE LANE
SPARKS, NEVADA, 89431
(775) 359-4712 FAX (775) 359-7424
E-MAIL: HAWS@HAWSCCO.COM
WEBSITE: WWW.HAWSCCO.COM

E/CN: 5506	REV: E/CN: BY: F.V.	MODEL(S): 7660 & 7661	PART NUMBER: 0510002058 D
DRAWN: 10/25/02	DATE: 10/25/02	EYE/FACE WASH AND HANDWASH STATION	REVISION: 3
APPROVED: DHP	DATE: 05/28/23	SCALE: 1:16	DRAWING TYPE: INSTALLATION
		SIZE: A	SHEET 2 OF 7



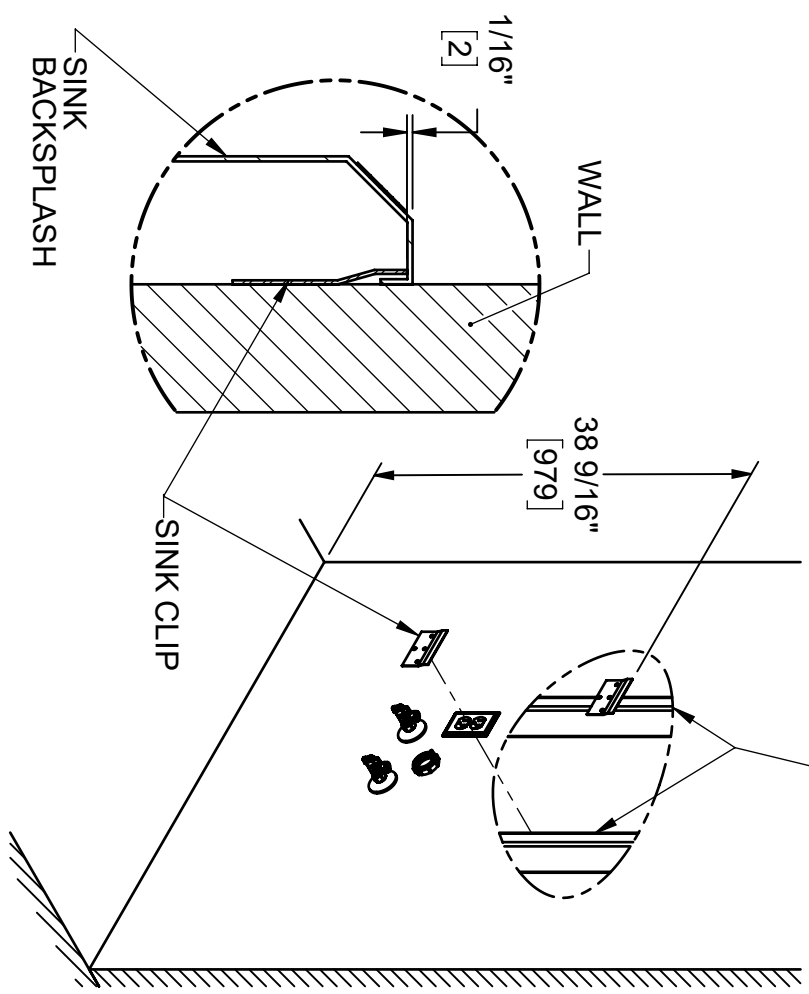
*IF INSTALLING WITH HAWES MODEL 6800/6810 IN-WALL CARRIER WITH 6776 MOUNTING PLATE, REFER TO INSTALLATION INSTRUCTIONS INCLUDED WITH THOSE MODELS FOR PLACEMENT OF ELECTRICAL BOX.



1455 KLEPPE LANE
SPARKS, NEVADA, 89431
(775) 359-4712 FAX (775) 359-7424
E-MAIL: HAWES@HAWESCO.COM
WEBSITE: WWW.HAWESCO.COM

ENR	REV. E/CN.	BY:	MODEL(S)
5506	5902	F.V.	7660 & 7661
DRAWN	DATE	CHK'D.	EYE/FACE WASH AND HANDWASH STATION
APP'D.	DATE	DATE	
DHP	05/28/23		SCALE: 1:2 DRAWING TYPE: INSTALLATION
			SIZE: A SHEET: 3 OF 7
			PART NUMBER: 0510002058 D
			REVISION: 3

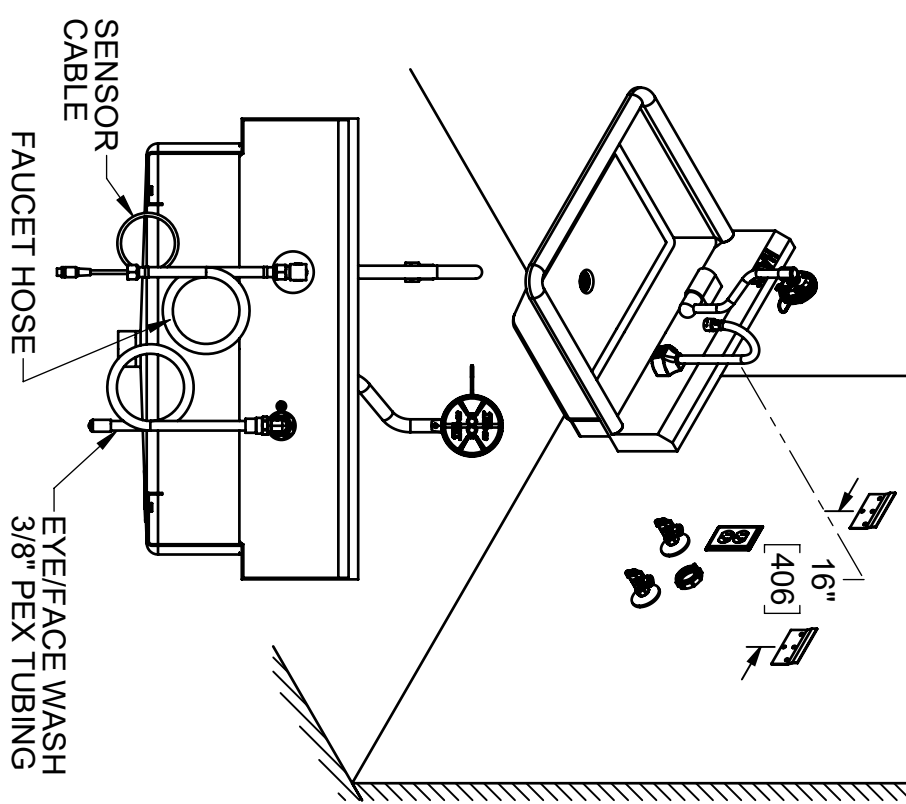
STUDS/BLOCKING



STEP 1
 VERIFY DRAIN AND WATER SUPPLY CONNECTIONS HAVE BEEN INSTALLED/LOCATED CORRECTLY. INSTALL THE SINK CLIPS AT A WALL STUD OR STRUCTURAL BRACING 1/16" LOWER THAN THE TOP OF THE SINK HEIGHT USING STRUCTURAL SCREWS. ENSURE THE SINK CLIPS ARE MOUNTED LEVEL RELATIVE TO EACH OTHER AND ARE 16" APART CENTER TO CENTER.

NOTE: IT IS RECOMMENDED THAT THE SINK BE MOUNTED TO A WATERPROOF WALL SURFACE THAT EXTENDS 18" IN ALL DIRECTIONS FROM OUTLINE OF SINK ON WALL.

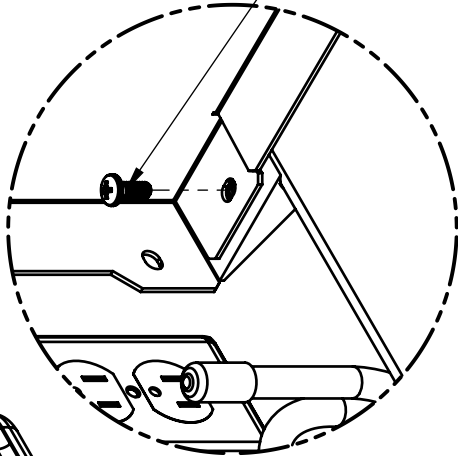
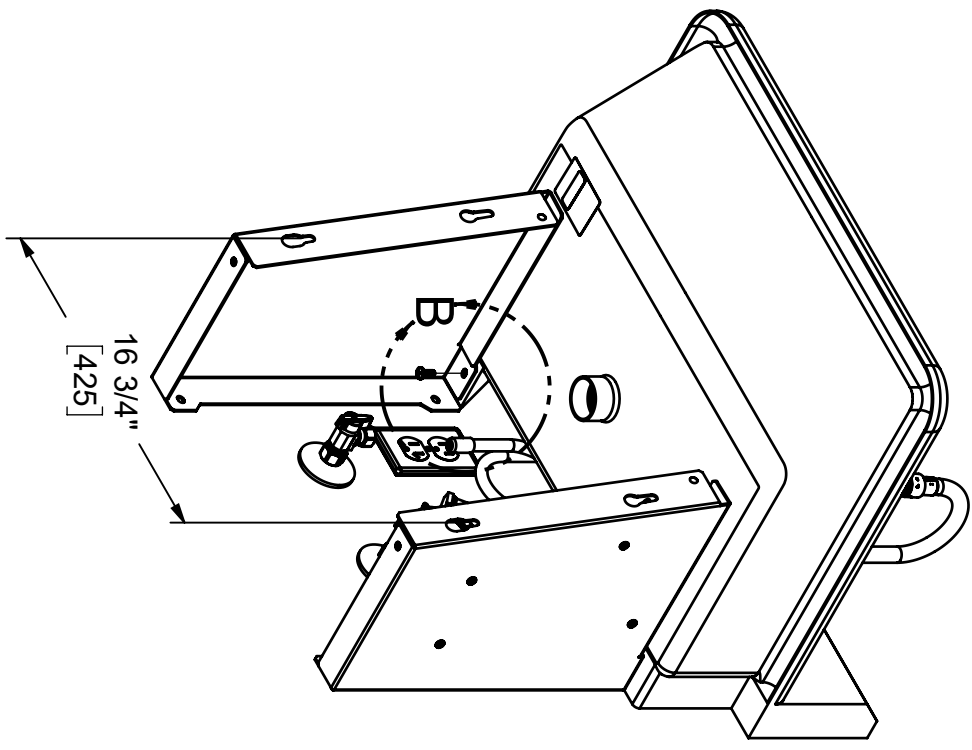
16"



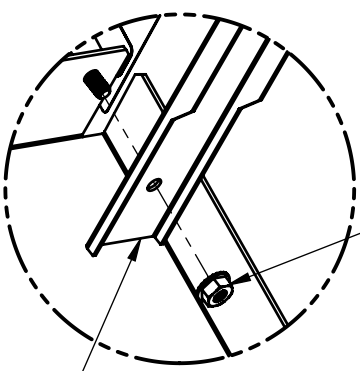
STEP 2
 MARK A LINE CENTERED BETWEEN THE STUDS/BLOCKING FROM 13" TO 27.5" ABOVE THE FINISH FLOOR LINE. UNCOIL THE SENSOR CABLE AND HOSES AT THE BACK OF THE SINK AND HANG THE SINK FROM THE CLIPS. ALIGN THE CENTER OF THE SINK/DRAIN WITH THIS CENTERLINE.

		1455 KLEPPE LANE SPARKS, NEVADA 89431 (775) 359-4712 FAX (775) 359-7424 E-MAIL: HAWS@HAWS.CO.COM WEBSITE: WWW.HAWS.CO.COM	
ECN: 5506	REV/ECN: BY:	MODEL(S):	7660 & 7661
DRAWING NO: 102321	DATE: CHKD:	EYEFACE WASH AND HANDWASH STATION	
APPROVED: DHP	DATE: 05/26/23	SCALE: 1:16	DRAWING TYPE: INSTALLATION
		SIZE: A	SHEET 4 OF 7
		PART NUMBER: 0510002058 D	REVISION: 3

2X 1/4"-20
MACHINE SCREW



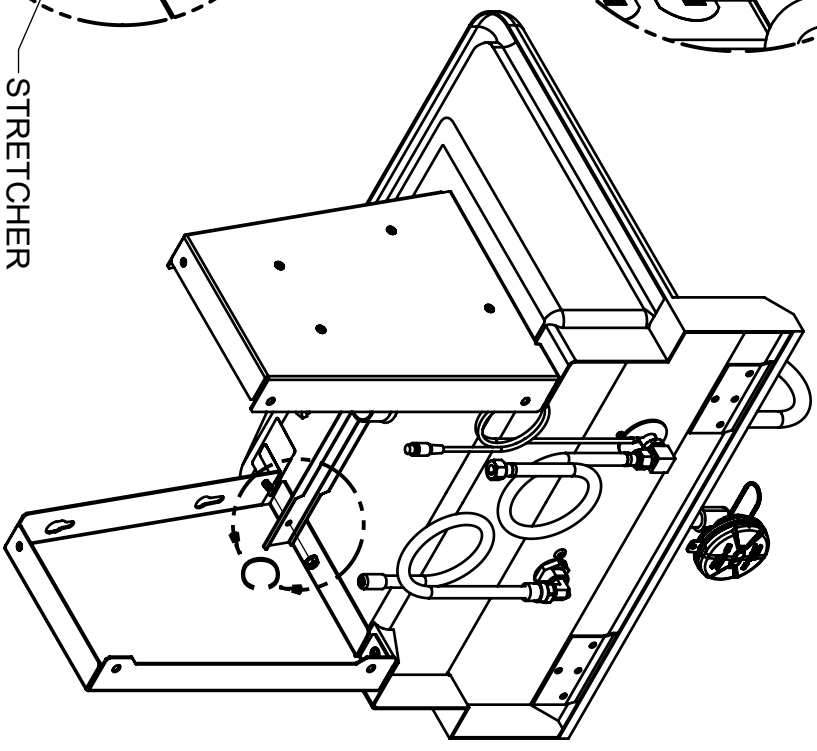
2X 1/4"-20
FLANGE NUT



DETAIL B

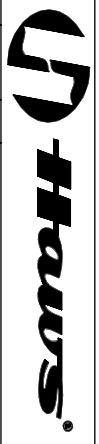
DETAIL C

STRETCHER
BRACKET



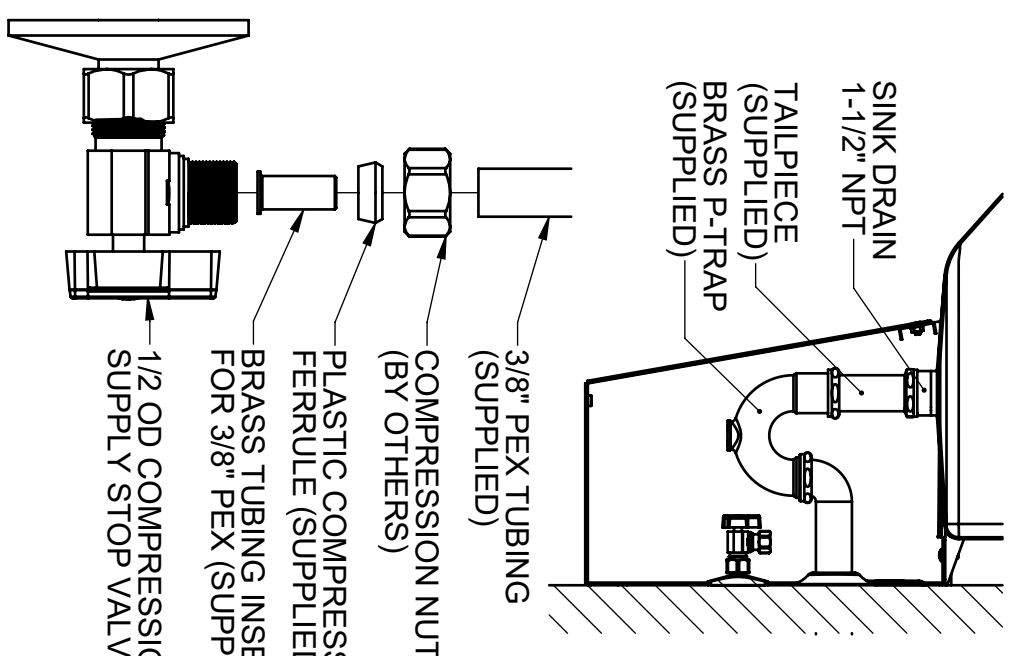
STEP 3
HANG THE LEFT AND RIGHT BRACKETS FROM THE SINK BY INSTALLING A 1/4"-20 MACHINE SCREW (SUPPLIED) THROUGH EACH BRACKET FROM UNDERNEATH THE SINK. INSTALL THE STRETCHER BRACKET USING TWO 1/4"-20 FLANGE NUTS (SUPPLIED).

STEP 4
MOUNT THE BRACKETS TO THE WALL WITH TWO STRUCTURAL SCREWS PER BRACKET. MAKE SURE THE MOUNTING HOLES ARE SYMMETRIC ABOUT THE CENTERLINE FROM STEP 2, AND VERIFY THE BRACKET SIDES ARE VERTICAL. BRACKET MOUNTING HOLES ARE SPACED SLIGHTLY LESS THAN 16" TO ALLOW FOR ANGLED SCREW INSTALLATION WITH 16" STUD SPACING.



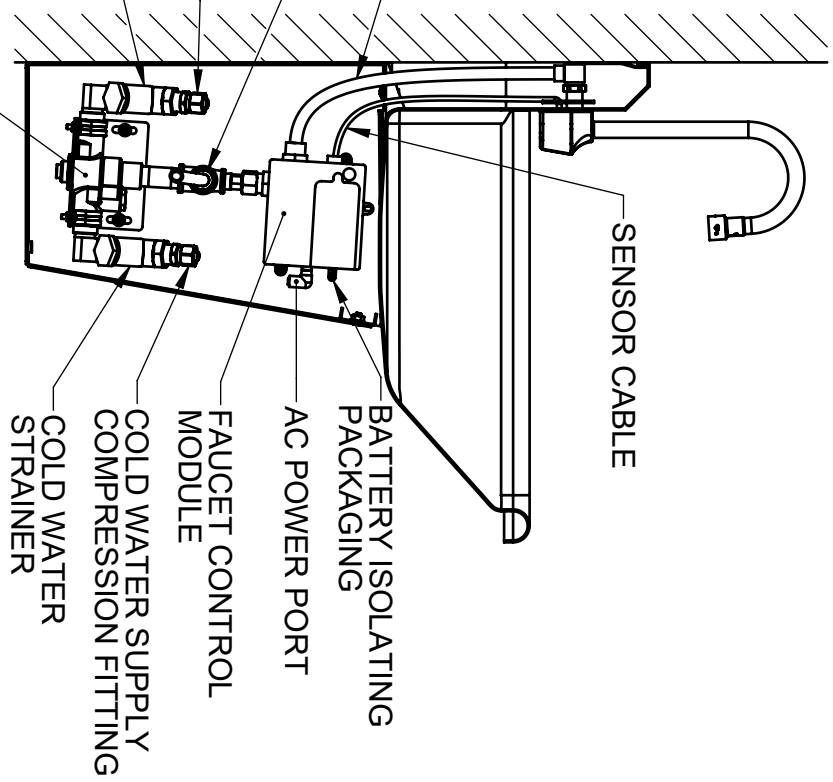
1455 KLEPPE LANE
SPARKS, NEVADA 89431
(775) 359-4712 FAX (775) 359-7424
E-MAIL: HAWS@HAWS.CO.COM
WEBSITE: WWW.HAWS.CO.COM

ENCL	REV/ENCL	BY:	MODEL(S)
55806	5902	F.V.	7660 & 7661
DRAWING	DATE	CHK'D	EYEFACE WASH AND HANDWASH STATION
30	10/23/21	J.O.	
APPROVED	DATE	SCALE	1:8
DHP	05/26/23	DRAWING TYPE:	INSTALLATION
		SIZE:	A
		SHEET:	5 OF 7
		REVISION:	3
		PART NUMBER:	0510002058.D



STEP 5
 CUT THE SUPPLIED 3/8" PEX INLET LINES SQUARE AND CLEAN TO THE APPROPRIATE LENGTH. IF NEEDED, INSTALL THE COMPRESSION NUT (INCLUDED WITH THE SUPPLY VALVE BY OTHERS), FOLLOWED BY THE PLASTIC FERRULE (SUPPLIED), AND THE BRASS TUBE INSERT (SUPPLIED) ONTO THE INLET LINE. NOTE THE CORRECT ORIENTATION OF THE PLASTIC FERRULE, AS SHOWN ABOVE. DO NOT USE THE BRASS FERRULE INCLUDED WITH YOUR SUPPLY VALVE. INSERT THE INLET LINE INTO THE SUPPLY VALVE UNTIL IT BOTTOMS OUT. THREAD THE NUT DOWN ONTO THE SUPPLY VALVE UNTIL FINGER TIGHT. DRAW A LINE ON THE NUT USING A WRENCH. TIGHTEN EXACTLY ONE ADDITIONAL FULL (360°) TURN WITH A WRENCH, USING THE LINE TO COUNT TURNS. CONNECT THE HOT AND COLD WATER SUPPLY LINES TO THE TMV WITH SIDES MARKED "H" FOR HOT AND "C" FOR COLD USING THE SAME PROCESS.

TEMPERED WATER TO FAUCET
 TEMPERED WATER TO EYE/FACE WASH
 HOT WATER SUPPLY COMPRESSION FITTING
 HOT WATER STRAINER



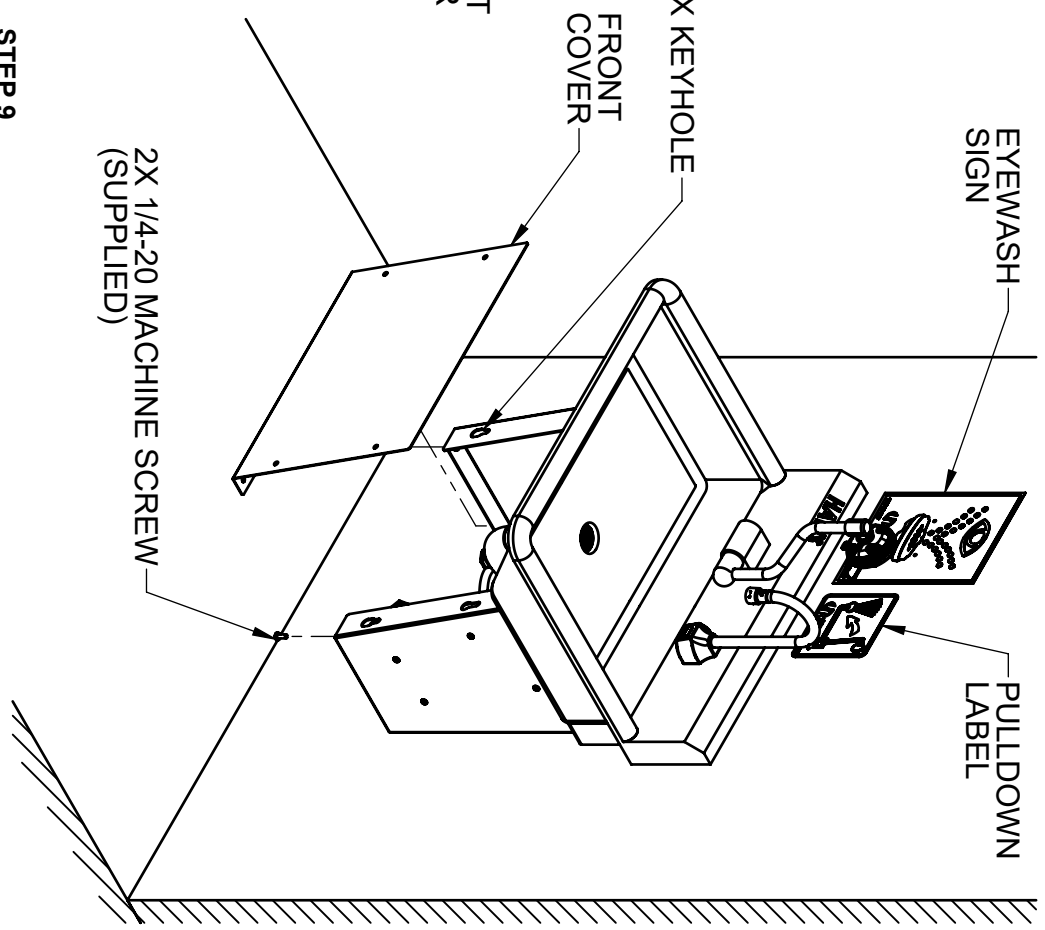
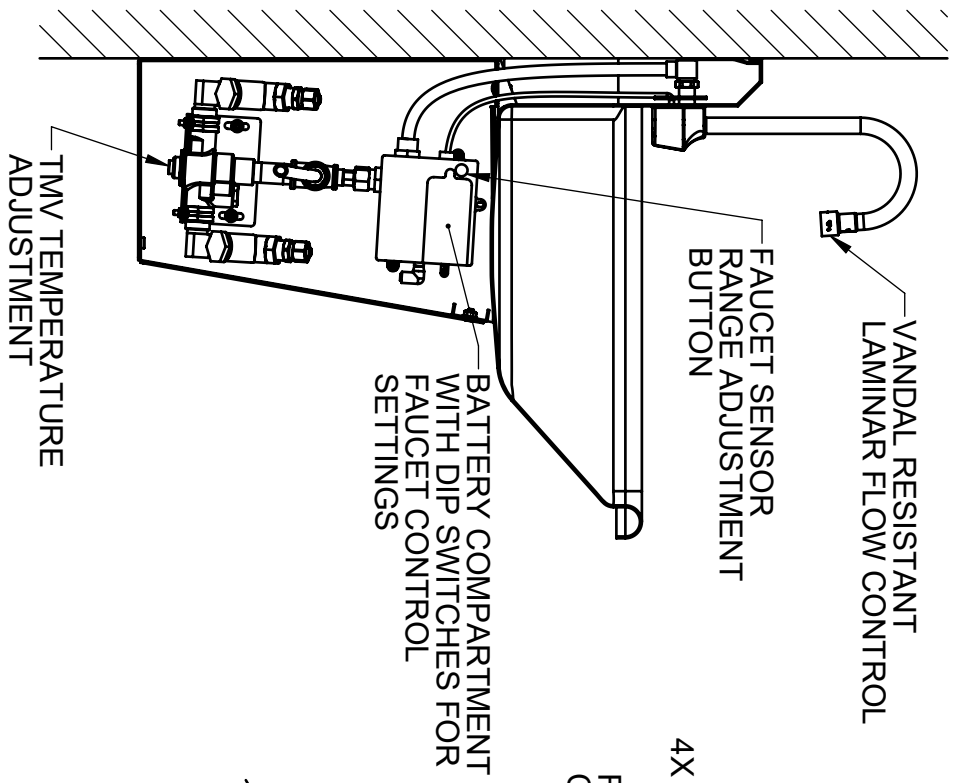
STEP 6
 CONNECT THE 3/8" PEX TUBING FROM THE EYE/FACE WASH TO THE COMPRESSION FITTING LOCATED JUST ABOVE THE TMV. FOLLOW THE SAME PROCESS DESCRIBED IN STEP 5. CONNECT THE FAUCET BRAIDED FLEX HOSE AND SENSOR CABLE TO THE BACK SIDE OF THE FAUCET CONTROL MODULE. REMOVE THE PACKAGING THAT ISOLATES THE FAUCET BATTERIES BY PULLING ON THE PLASTIC TAB NEAR THE BATTERY COMPARTMENT OF THE FAUCET CONTROL MODULE. IF A 120V OUTLET IS INSTALLED UNDER THE SINK, PLUG IN THE FAUCET WALL ADAPTER AND CONNECT IT TO THE FRONT OF THE CONTROL MODULE.

STEP 7
 CONNECT THE DRAIN TAILPIECE AND P-TRAP TO THE SINK AND WALL DRAIN USING THE SUPPLIED SLIP JOINT CONNECTIONS.

Haws

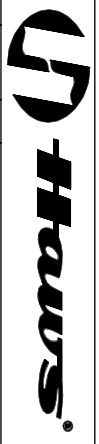
1455 KLEPPE LANE
 SPARKS, NEVADA, 89431
 (775) 359-4712 FAX (775) 359-7424
 E-MAIL: HAWS@HAWSCCO.COM
 WEBSITE: WWW.HAWSCCO.COM

ENCL. 55806	REV. E/CN. 5902	BY. F.V.	MODEL(S) 7660 & 7661
DRAWING DATE: 02/23/10	CHK'D. DATE: 03/03/10		EYE/FACE WASH AND HANDWASH STATION
APPROVED: DHP	DATE: 05/26/23	SCALE: 1:8	DRAWING TYPE: INSTALLATION
		SIZE: A	SHEET: 6 OF 7
			REVISION: 3



STEP 8
 OPEN BOTH STOP VALVES, TEST THE EYE/FACE WASH AND FAUCET, AND CHECK FOR LEAKS. ADJUST THE TMV TEMPERATURE SETTING, IF REQUIRED (REFER TO HAWS 9201EW OWNERS MANUAL FOR INSTRUCTIONS). REFER TO INCLUDED FAUCET OWNERS MANUAL FOR INSTRUCTIONS ON ADJUSTING FAUCET SENSOR RANGE, SHUT-OFF DELAY, AND TIME-OUT SETTINGS. FAUCET IS SHIPPED WITH A 1.2 GPM LAMINAR FLOW CONTROL (INSTALLED) AND 0.5 GPM LAMINAR FLOW CONTROL; 2.2 GPM LAMINAR FLOW CONTROL MAY BE AVAILABLE UPON REQUEST DEPENDING ON YOUR STATE AND LOCAL CODES.

STEP 9
 INSTALL THE STAINLESS STEEL FRONT COVER BY PLACING THE 4 SHOULDER RIVETS ATTACHED TO THE FRONT COVER IN THEIR RESPECTIVE KEY HOLES ON THE SUPPORT BRACKETS. LIFT THE FRONT COVER UNTIL THE FRONT COVER IS FLUSH WITH THE SUPPORT BRACKETS, AND INSTALL TWO 1/4-20 MACHINE SCREWS FROM BELOW TO HOLD THE FRONT COVER IN PLACE. DO NOT USE POWERED TOOLS ON THESE SCREWS OR THEY MAY SEIZE. POSITION THE SUPPLIED EYEWASH SIGN AND PULLDOWN LABEL SUCH THAT IT IS VISIBLE WITHIN THE AREA SERVED BY THE EYEWASH.



1455 KLEPPE LANE
 SPARKS, NEVADA 89431
 (775) 359-4712 FAX (775) 359-7424
 E-MAIL: HAWS@HAWS.CO.COM
 WEBSITE: WWW.HAWS.CO.COM

ENCL	REV. E/CN.	BY:	MODEL(S)	7660 & 7661	PART NUMBER
5506	5902	F.V.	EYEFACE WASH AND HANDWASH STATION		0510002058.D
DRAWN	DATE	CHK'D	SCALE	1:8	DRAWING TYPE
30	08/23/10	JU	INSTALLATION	SIZE	A
APPROVED	DATE				SHEET
DHP	05/26/23				7 OF 7
					3