



# model 8355WCC

Barrier-Free Emergency Equipment

## FEATURES & BENEFITS

### VALVE

Valve is designed to make the flushing of fluid occur with the pull of the eyewash bend.

### ADDED PROTECTION

Barrier-free pull-down design accommodates all users including wheel chair accessibility.

### EYE/FACE WASH

AXION MSR™ eye/face wash head (patent pending) uses an inverted directional laminar flow to sweep contaminants away from the vulnerable nasal cavity.

### CONSTRUCTION

18 Gauge Type 304 Stainless Steel recessed cabinet is a deep-drawn heavy duty structure with smudge resistant bead blast finish to provide a durable, long lasting product.

### SHOWER HEAD

AXION MSR™ stainless steel showerhead uses a hydrodynamic design to give equal distribution of water throughout the entire footprint of flow.



## OPTIONS

- ❑ Universal Sign: Model 9020 green and yellow ABS plastic 3-sided high visibility sign.
- ❑ Universal Sign: Model SP178LG large vertical universal combination emergency shower and eyewash sign. Size: 18" x 24" (45.7 x 61 cm).
- ❑ Tempered Water Blending Systems: Model TWBS.SHE; Lead-free Emergency Valve thermostatically mixes hot and cold water to provide a safe fluid supply for emergency shower and eyewash equipment, with a flow rate of 74 gpm (280 L).
- ❑ Alarm: Model 9001, 120 VAC emergency alarm and light system. Buzzer and flashing light are activated by a double pole, double throw flow switch.

To see all options for this model, visit [www.hawsc.com](http://www.hawsc.com)

## SPECIFICATIONS

Model 8355WCC barrier-free combination shower and eye/face wash shall include an AXION MSR™ eye/face wash head shall feature inverted directional laminar flow which achieves zero vertical velocity supplied by an integral flow control. Unit shall also include the AXION MSR™ hydrodynamic design stainless steel showerhead with flow control, a fully recessed wall mounted 18 Gauge, Type 304 stainless steel deep-drawn cabinet, wheel chair accessibility, and polished chrome-plated brass pull-down valve with easy access in-line strainer. Unit shall also include brass pipe and fittings, a front-access maintenance panel, universal sign, 1" NPT(F) inlet. Operating pressure is 30 - 90 psi (2.1 - 6.2 bar).

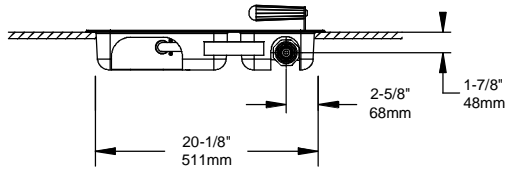
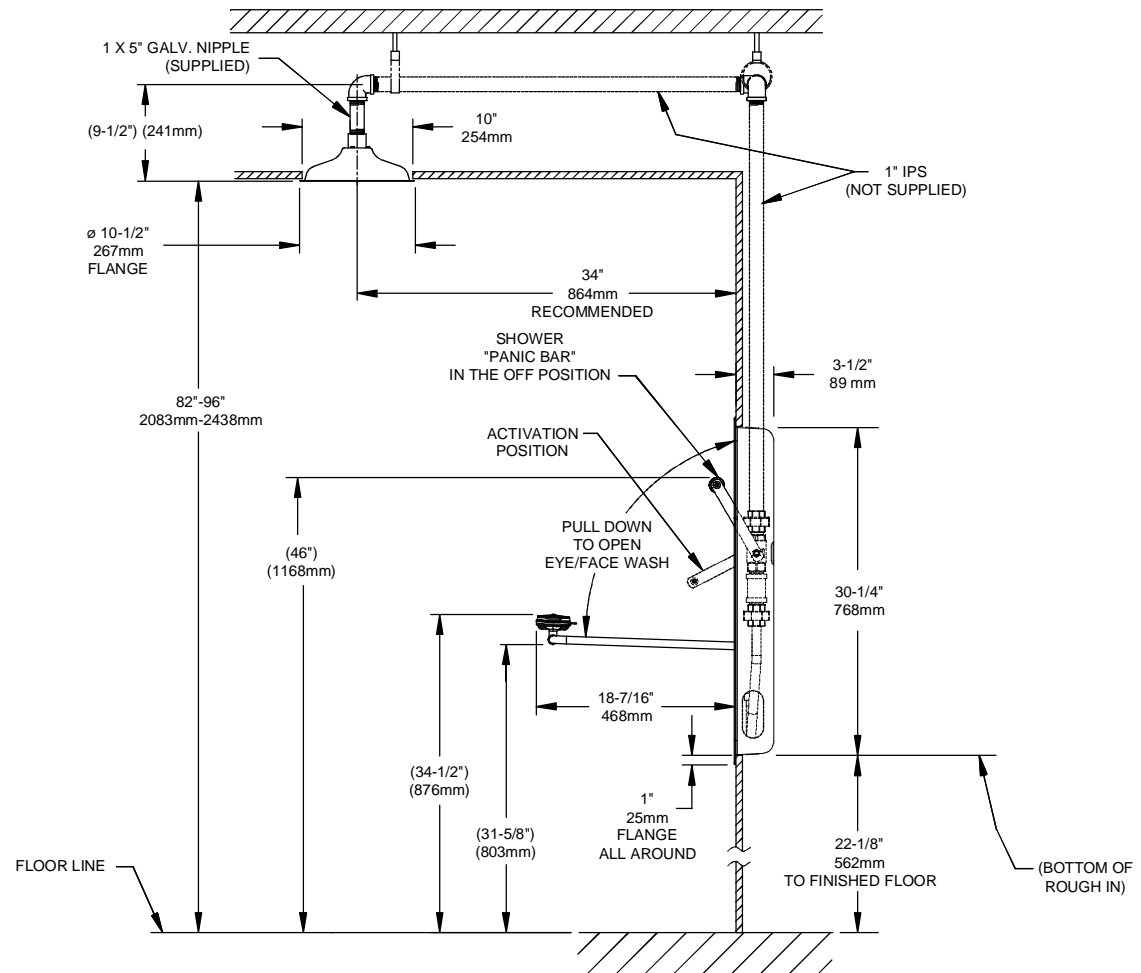
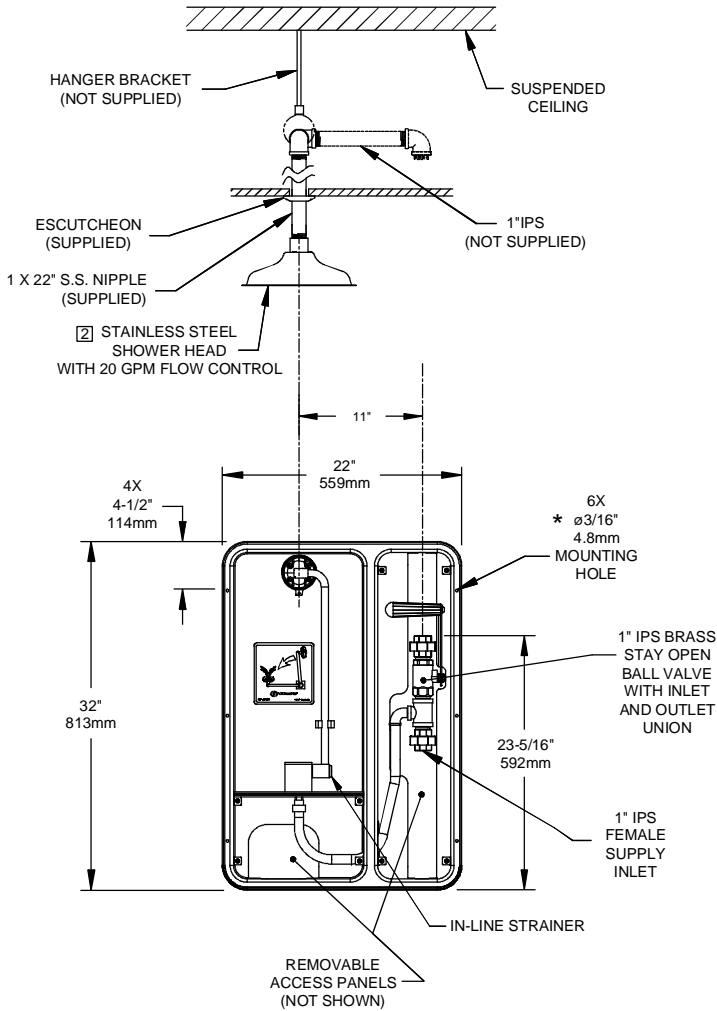
## APPLICATIONS

Where the eyes, face, or body of any person may be exposed to injurious or corrosive materials, suitable facilities for quick drenching or flushing of the eyes, face, and body shall be provided within the work area for immediate emergency use. Emergency eye/face wash facilities and deluge showers shall be in unobstructed and accessible locations that require no more than 10 seconds for the injured person to reach.

Model 8355WCC is certified by CSA to meet the ANSI Z358.1 Standard for Emergency Eyewash and Shower Equipment.




### OPTIONAL SHOWER HEAD INSTALLATION



### NOTES:

1. WHEN INSTALLING THIS UNIT, LOCAL, STATE OR FEDERAL CODES SHOULD BE ADHERED TO. WASTE CONNECTION MUST ADHERE TO LOCAL HEALTH AND PLUMBING CODES.
2. SHOWER MUST BE POSITIONED IN-LINE WITH EYE/FACEWASH HEAD TO ALLOW FOR SIMULTANEOUS USE BY THE SAME USER PER ANSI Z358.1.
3. FLOW RATE FOR EYE/FACE WASH IS 3.7 GPM AND EXCEEDS ANSI STANDARD Z358.1.
4. DIMENSIONS MAY VARY BY  $\pm 1/2"$  [12.7mm].
- \* 5. MOUNTING HARDWARE NOT SUPPLIED.



1455 KLEPPE LANE  
 SPARKS, NEVADA 89431  
 (775) 359-4712 FAX (775) 359-7424  
 E-MAIL: HAWS@HAWSCO.COM  
 WEBSITE: WWW.HAWSCO.COM

ECN NO. 4290	REVISED PER ECN: 4734	BY: HM	MODEL(S) 8355WCC	PART NUMBER: 0002080140.D
DRAWN: I. ROBERTS	DATE: 7/13/10	CHK'D:		DRAWING NO.: 15911A00
APPROVED:	DATE:			REV. 4
SCALE: 1/18			DRAWING TYPE: INSTALLATION	SIZE: A SHEET 1 OF 1