

FEATURES & BENEFITS

CONSTRUCTION

Stainless steel pipe, bronze valves, HDPE tank and aluminum structural members provide superior defense in a highly corrosive environment.

QUALITY CONTROL

Fully tested and easily assembled on site for quick placement and hook-up.

EYE/FACE WASH

AXION® MSR eye/face wash head uses an inverted directional laminar flow to sweep contaminants away from the vulnerable nasal cavity.

SUPERIOR SAFETY

Enhanced victim comfort with AXION® eye/face wash and shower incorporating bronze valves for easy activation. Exceeds ANSI tepid water constant flow requirements (17+ min @20 GPM with 530 gallon tank) with tepid water to an insulated booth that is heated to 70° F (21° C) creating a comfortable environment for the user.

AVAILABLE ELECTRICAL CONFIGURATIONS

Haws provides systems at various voltage options, including 600V 3ph, 208V 1ph, 208V 3ph, 240V 1ph, and 240V 3ph. Electrical area rating options include Type 4 Ordinary Location. Hazardous Location up to CL1 Div2 B, C, D, T3.

VALVES

Eye/face wash valve is designed to make the flushing of contaminants occur with the simple push of a stainless steel flag. Shower ball valve is designed to make the flushing of fluid occur with the pull of a triangular lever. Both are made of bronze.

EXTREME WEATHER OPTIONS

Select from three Environmental packages including a Northern Package with protection to -20° F, an Arctic Package with protection to -50° F, and a Desert Package for extreme heat to +120° F

OPTIONS

Optional equipment to accommodate virtually any specific need includes:

- Stainless steel valves and/or piping.
- Temperature control packages including 4 or 6 kW immersion heaters, integrated space heater, and heat-traced and insulated shower/eyewash.
- Alarm packages.
- Electrical packages including 208V, 240V, and 600V options.
- Safety first aid kit and stretcher.

For more information, visit www.hawsc.com or call (888) 640-4297.



SPECIFICATIONS

Model 8720 ePOD™ indoor/outdoor, insulated overhead tank drench shower and eye/face wash within a 5' x 5' (1.52 x 1.52 m) all-weather aluminum structure covered with a bright green, chemically resistant, water-proof coating, protected with UV inhibitors. The unit provides optional operating temperature ranges of -50° to 120° F (-45.5° to 48.9°C). The use of an Advanced Programmable Monitoring Control System allows for real-time control of the operating system. Includes dual spring-loaded, self-closing shower doors and trimmed with large directional arrows, large and small universal shower/eyewash signs, fiberglass floor grate, and 3" IPS drain. The internal booth temperature is maintained by a space heater. The overhead 530-gallon (2006 L) tank is constructed of insulated HDPE with water temperature controlled by immersion heating. Optional model 9084 cleansing stick can be used to provide continual protection against pathogenic bacteria in the water for up to 3 years. The standard electrical system comes with 480V 3ph standard (other voltages available). Emergency flushing is provided by a AXION® showerhead and an AXION® MSR eye/face wash head with greater than 3 GPM flow. The entire system meets the ANSI Z358.1 standard for emergency eyewash and shower equipment.

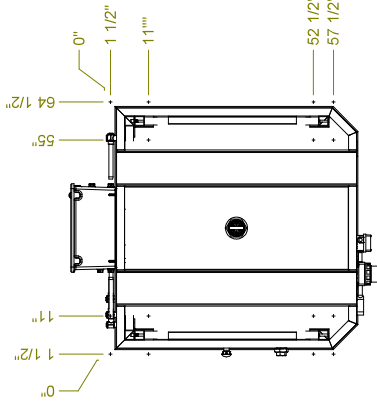
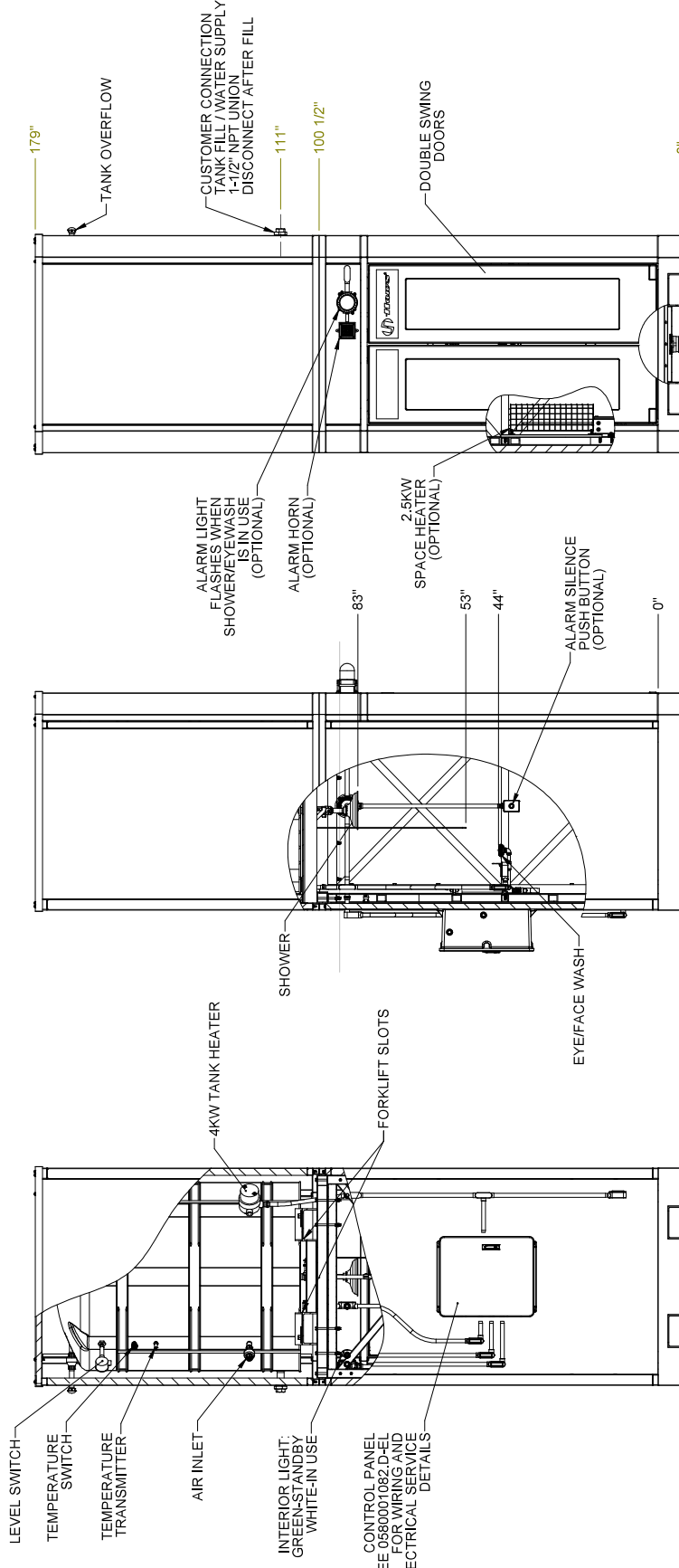
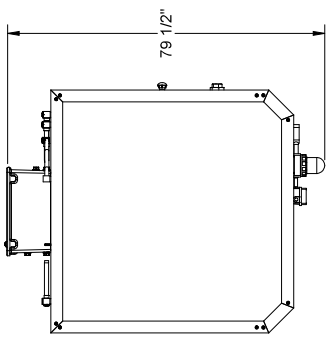
APPLICATIONS

Perfect for mining, Petro-Chemical, bio-diesel, and ethanol processing facilities as well any other remote outdoor location without a potable water supply where a drench shower and eyewash are required. Combination shower and eyewash is certified by CSA to meet the ANSI Z358.1 Standard for Emergency Eyewash and Shower Equipment. For the electrical certification, the system is certified by accredited Certification Body.

REV	DESCRIPTION	DATE	BY
1	INITIAL RELEASE	11/02/2020	PR

REVISIONS	DATE	BY

- NOTES:
1. DIMENSIONS IN US INCHES
 2. ALL TOLERANCES: $\pm 1/2"$
 3. ESTIMATED WEIGHT:
WET: 6900 LBS
DRY: 2500 LBS
 4. AREA CLASSIFICATION: ORDINARY
 5. AVAILABLE AMBIENT TEMPERATURE RANGE: -50°F - 120°F
 6. RATINGS: CONFIGURABLE WITH TYPE 4/4X JUNCTION BOX FOR INDOOR OR OUTDOOR LOCATION
 7. NOT ALL FEATURES ARE STANDARD



THE ATTACHED DESIGNS ARE CONSIDERED TRADE SECRETS AND POTENTIALLY PATENTABLE IN ACCORDANCE WITH CONFIDENTIALITY AND NON-DISCLOSURE AGREEMENT. THESE DESIGNS IN ACTUAL OR CONCEPTUAL FORMS CANNOT BE DISCLOSED, REPRODUCED OR USED WITHOUT HAWS EXPRESS WRITTEN CONSENT.

Haws 1455 KLEPPE LANE SPARKS, NEVADA 89431

OUTDOOR OVERHEAD TANK COMBINATION SHOWER

NOTE: OF PROPRIETARY DESIGN. HYDRO-ANGLE PROTECTION. HAWAIIAN PATENT PENDING. THIS IS A CONCEPTUAL DESIGN. HAWAIIAN PATENT PENDING. THIS IS A CONCEPTUAL DESIGN. HAWAIIAN PATENT PENDING. THIS IS A CONCEPTUAL DESIGN.

JOB NUMBER	
DRAWN BY	
CHECKED BY	DB
CHECKED DATE	06/20/20
APPROVED BY	DB
APPROVAL DATE	06/20/20

SCALE: 1/2" = 1'-0"

REV. 1

0580001082-D-GA