

FEATURES & BENEFITS

CONSTRUCTION

Stainless steel pipe, bronze valves, HDPE tank and aluminum structural members provide superior defense in a highly corrosive environment.

QUALITY CONTROL

Fully tested and ease of assembly for quick placement and hook-up.

EYE/FACE WASH

AXION® MSR eye/face wash head uses an inverted directional laminar flow to sweep contaminants away from the vulnerable nasal cavity.

AVAILABLE ELECTRICAL CONFIGURATIONS

Haws provides systems at various voltage options, including, 600V 3ph, 208V 1ph, 208V 3ph, 240V 1ph, and 240V 3ph. Electrical area rating options include Type 4 Ordinary Location. Hazardous Location up to C1 Div2 B, C, D, T3

VALVES

Eye/face wash valve is designed to make the flushing of contaminants occur with the simple push of a stainless steel flag. Shower ball valve is designed to make the flushing of fluid occur with the pull of a triangular lever. Both are made of bronze.

OPTIONS

Optional equipment to accommodate virtually any specific need includes:

- Stainless steel valves and/or piping
- Alarm packages
- External illumination package
- Safety first aid kit and stretcher

For more information, visit www.hawscos.com or call (888) 640-4297.



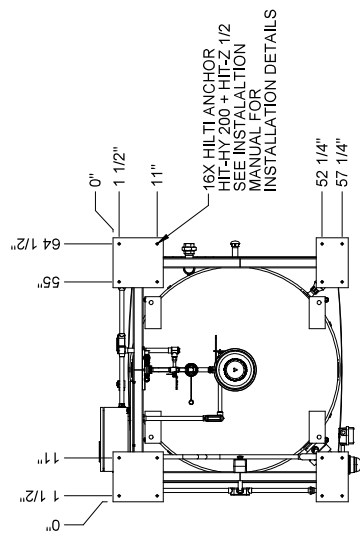
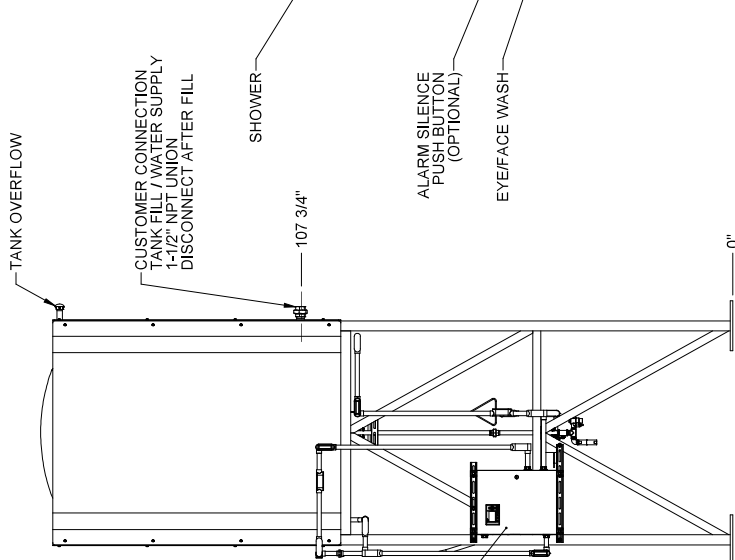
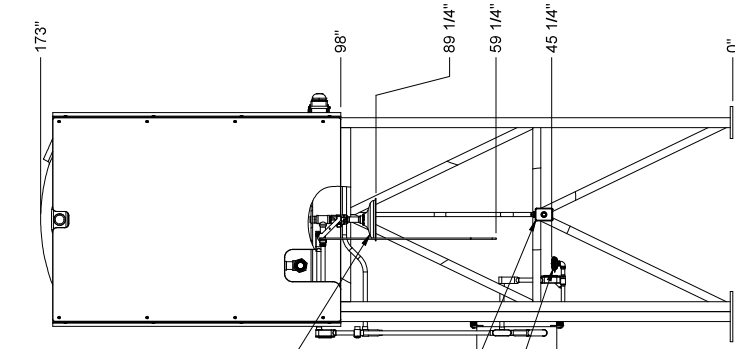
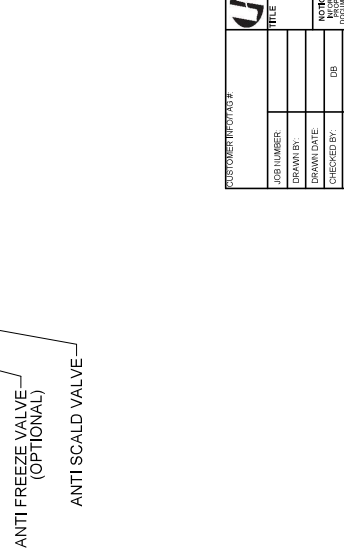
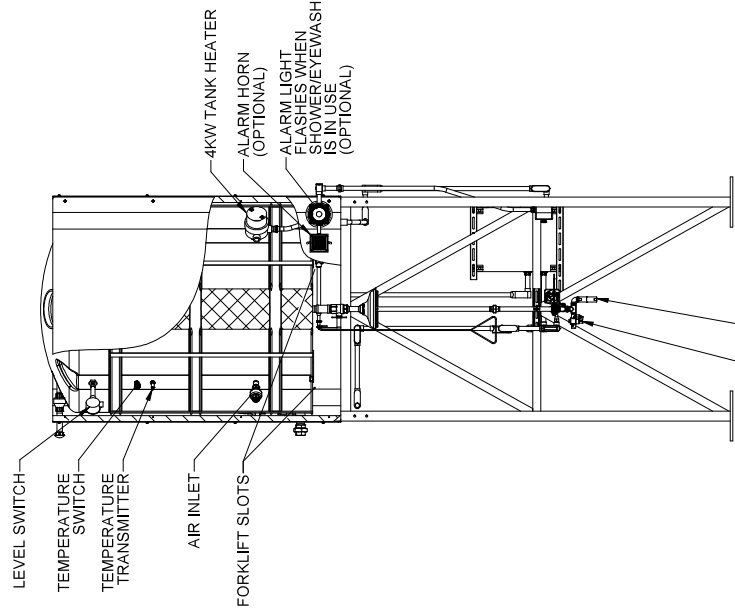
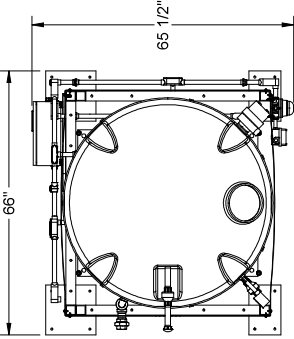
SPECIFICATIONS

Model 8770 ePOD™ overhead tank shower provides a gravity fed shower and eyewash and includes an aluminum structure with bright green side panels and 530 gallon (2006 L) overhead molded plastic tank. Supplied with a NEMA 4 electrical enclosure with 480V, three phase inlet. The emergency flushing is provided by a hydrodynamic showerhead as well as the medically acclaimed AXION® MSR eyewash. This system is designed to operate with several electrical options. Optional model 9084 cleansing stick can be used to provide continual protection against pathogenic bacteria in the water for up to 3 years. 1-1/2" and cold stainless-steel pipe inlet.

APPLICATIONS

Perfect for mining, Petro-Chemical, bio-diesel, and ethanol processing facilities as well any other remote indoor location without a potable water supply where a drench shower and eyewash are required. Combination shower and eyewash is certified by CSA to meet the ANSI Z358.1 Standard for Emergency Eyewash and Shower Equipment, and CSA certified for Ordinary and Hazardous Locations for North America. For the electrical certification, the system is certified by accredited Certification Body.

REV	DESCRIPTION	DATE	BY
1	INITIAL RELEASE	11/02/2020	JP



- NOTES:
1. DIMENSIONS IN INCHES
 2. ALL TOLERANCES: ±1/2"
 3. ESTIMATED WEIGHT:
 DRY: 1500 LBS
 WET: 5920 LBS
 4. AREA CLASSIFICATION: ORDINARY
 5. AVAILABLE AMBIENT TEMPERATURE RANGE: 35°F - 120°F
 6. RATINGS: CONFIGURABLE WITH TYPE 4/4X JUNCTION BOX FOR INDOOR LOCATION
 7. NOT ALL FEATURES ARE STANDARD

CONTROL PANEL
 SEE 0580001085.D-DEL
 FOR WIRING AND
 ELECTRICAL SERVICE
 DETAILS

Haws 1455 KLEPPE LANE
 SPARKS, NEVADA 89431

**INDOOR OVERHEAD TANK
 COMBINATION SHOWER**

NOTE OF PROPRIETARY INFORMATION: HYDRO-ANGLE PROTECTION INDICATES COMPATIBILITY WITH THE TANK. HYDRO-ANGLE PROTECTION IS A REGISTERED TRADEMARK OF HAWES CORPORATION WHICH IS THE PROPERTY OF HAWES CORPORATION.

CUSTOMER PART #	0580001085.D-GA
TITLE	INDOOR OVERHEAD TANK COMBINATION SHOWER
JOB NUMBER	
DRAWN BY	
CHECKED BY	DB
CHECKED DATE	08/20/20
APPROVED BY	DB
APPROVAL DATE	08/20/20
SCALE	1:1
PART NO.	0580001085.D-GA
REV.	1