



INSTALLATION, OPERATION & MAINTENANCE INSTRUCTIONS

1455 Kleppe Lane ♦ Sparks, NV 89431-6467 ♦ (775) 359-4712 ♦ Fax (775) 359-7424
E-mail: haws@hawsco.com ♦ website: www.hawsco.com

No. 0510001187 (1A.0)

Model 9001R Alarm

NOTE TO INSTALLER: Please leave this information with the Maintenance Department.

LIMITED WARRANTY

HAWS warrants that this specific product is guaranteed against defective material or poor workmanship for a period of **one year from date of shipment**. HAWS liability under this warranty shall be discharged by furnishing without charge F.O.B. HAWS Factory any goods, or part thereof, which shall appear to the Company upon inspection to be of defective material or not of first class workmanship, provided that claim is made in writing to Haws within a reasonable period after receipt of the product. Where claims for defects are made, the defective part or parts shall be delivered to the Company, prepaid, for inspection. HAWS will not be liable for the cost of repairs, alterations or replacements, or for any expense connected therewith made by the owner or his agents, except upon written authority from HAWS, Sparks, Nevada. HAWS will not be liable for any damages caused by defective materials or poor workmanship, except for replacements, as provided above. Buyer agrees that Haws has made no other warranties either expressed or implied in addition to those above stated, except that of title with respect to any of the products or equipment sold hereunder and that HAWS shall not be liable for general, special, or consequential damages claimed to arise under the contract of sale.

The emergency equipment manufactured by HAWS is warranted to function if installation and maintenance instructions provided are adhered to. The units also must be used for the purpose for which they were intended. This product is intended to supplement first-aid treatment. Due to widely varying conditions, Haws cannot guarantee that the use of this emergency equipment will prevent serious injury or the aggravation of existing or prior injuries.

NO OTHER WARRANTIES EXPRESSED OR IMPLIED ARE AUTHORIZED, PROVIDED OR GIVEN BY HAWS.

SHOULD YOU EXPERIENCE DIFFICULTY WITH THE INSTALLATION OF THIS MODEL PLEASE CALL:

TECHNICAL SUPPORT: 1-800-766-5612

FOR CUSTOMER SERVICE: 1-888-640-4297

RECOMMENDED TOOLS & SUPPLIES: Pipe joint sealant, screwdriver, pipe wrench, 14 AWG wire, 1/2 " conduit and basic electrician's tools for power connection.

LOCATION OF UNIT: The 9001R ALARM is to be wall mounted (recessed), next to a shower or eyewash. The alarm should be positioned for maximum visibility.

ELECTRICAL SUPPLY: 120 VAC 50/60 HZ, <10 A average power consumption.

WARNING: Power shall be supplied by a dedicated circuit. **NOT FOR USE IN CLASSIFIED AREAS.**

WATER SUPPLY: 3.0 gpm minimum flow required to activate flow switch. 65 gpm maximum flow. Mount flow switch in supply line with flow in horizontal direction and switch stem extending vertically from tee. Mount switch with at least 6" of straight pipe on both sides to minimize turbulence in switch.

INSTALLATION PROCEDURE

WARNING: As with any electrical product, care should be taken to guard against the potential risk of fire, electric shock, and injury to persons.

STEP 1: Choose a location for mounting the flow switch in the water supply line. The inlet and outlet ports of the flow switch must be a minimum of 6 inches from any tees or fittings in the water supply line. See attached installation drawing. The switch body must be in the vertical position with the water pipe horizontal. The water flow must be in the direction marked by the arrow on the flow switch body.

STEP 2: Mount the flow switch assembly in the water supply line. Use pipe sealing compound on all water pipe connections.

STEP 3: Choose a location for mounting the alarm assembly. The alarm housing should be positioned at least 7 feet above ground for best visibility. The alarm is to be mounted recessed into a wall using appropriate fasteners (not supplied). See manufacturer installation instruction and drawing for mounting and wiring details.

NOTICE: ALL POWER CONNECTIONS MUST BE MADE ACCORDING TO NEC CODE USING TYPE 4 COMPLIANT EQUIPMENT.

OPERATION AND TEST INSTRUCTIONS

Test weekly. Instruct all employees in the use of emergency showers and eyewashes.

STEP 1: Apply power to the alarm branch circuit. The alarm should remain OFF.

STEP 2: Open the shower valve. The alarm should sound and the light should flash shortly after water flows.

STEP 3: Shut off the valve. The alarm should turn OFF.

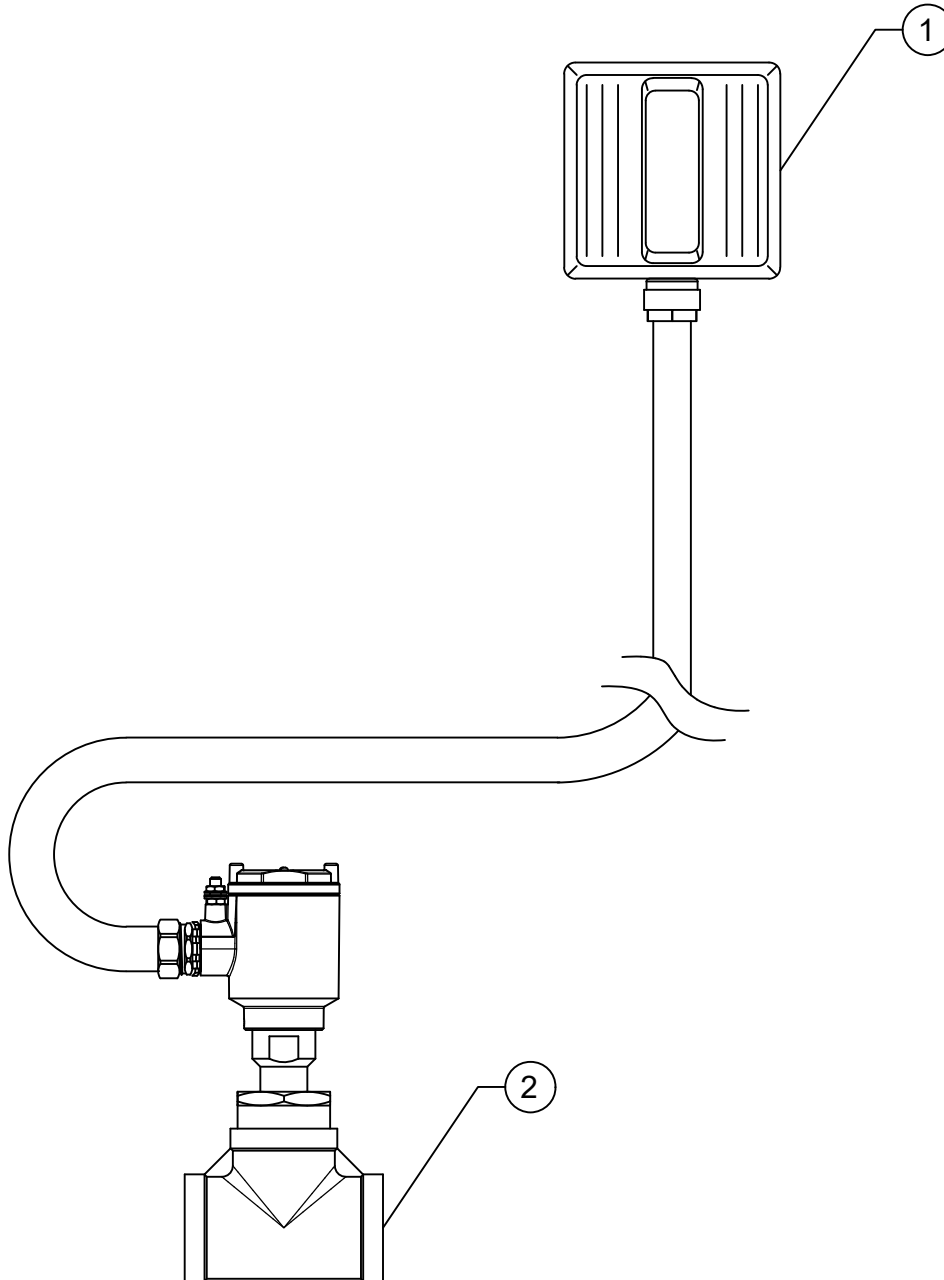
TROUBLESHOOTING	
PROBLEM	REPAIR CHECKLIST
1. Alarm horn and light do not operate.	1. a. Check incoming circuit for power and power from flow switch. b. Check that the direction of water flow corresponds to the arrow on the flow switch body. c. Check for continuity through the switch. d. Check all electrical connections. e. Check that water flow is sufficient. f. Faulty flow switch. Replace entire switch assembly.
2. Horn sounds but light does not flash.	2. a. Check wiring connections. b. Replace alarm.
3. Light flashes but horn does not sound.	3. a. Check wiring connections. b. Replace alarm.
4. Alarm stays on.	4. a. Check wiring connections. b. Disconnect flow switch wires and test for continuity.

For more information on Haws products, see our website: www.hawSCO.com

© Haws® Corporation – All Rights Reserved
 HAWS® and other trademarks used in these materials are the exclusive property of Haws Corporation.

ITEM	DESCRIPTION	PART NO.
1	ALARM, WALL MOUNT, RECESSED	0210001232
2	FLOW SWITCH, DPDT, 1 1/4" NPT	SP154DPDT

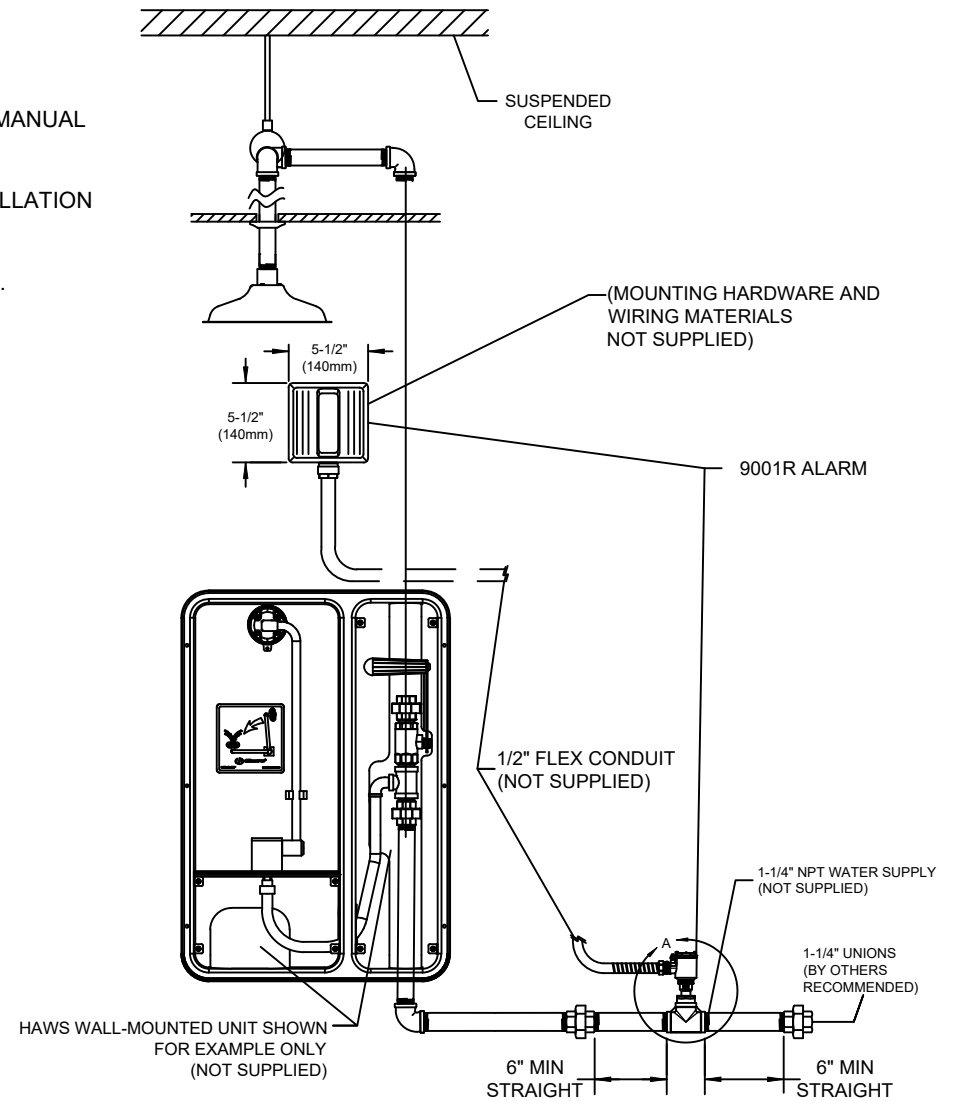
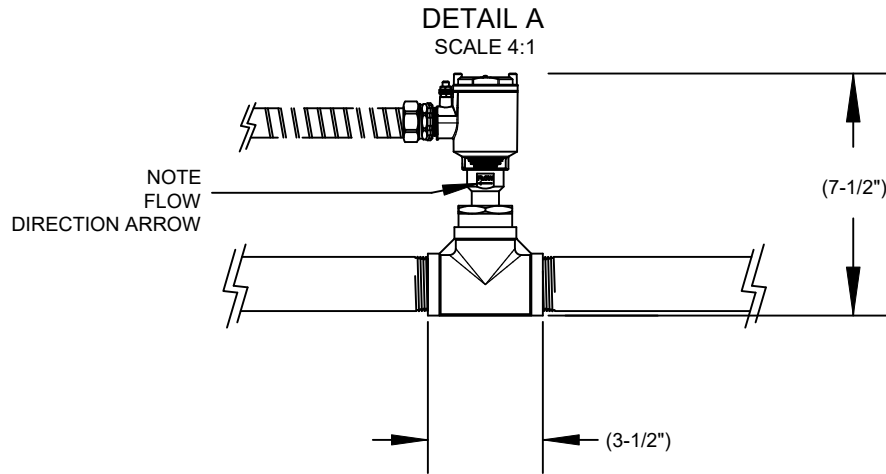
PARTS BREAKDOWN



			1455 KLEPPE LANE SPARKS, NEVADA 89431 (775) 359-4712 FAX (775) 359-7424 E-MAIL: HAWS@HAWSO.COM WEBSITE: WWW.HAWSO.COM		
			ECN NO. 6333 DRAWN MB APPROVED JL	REVISED PER ECN: 6492 DATE 01/20/26 DATE 08/15/26	BY JL CHKD JU
WHEN ORDERING PARTS PLEASE SPECIFY MODEL NUMBER.			SCALE: N/A	DRAWING TYPE: PARTS BREAKDOWN	SIZE: A SHEET 1 OF 1

NOTES:

1. SEE SP154DPDT INSTALLATION, OPERATION, & MAINTENANCE INSTRUCTION MANUAL FOR FURTHER INSTALLATION AND WIRING DETAILS FOR FLOW SWITCH.
2. SEE MANUFACTURER APPLIANCE INSTALLATION SHEET FOR FURTHER INSTALLATION AND WIRING DETAILS FOR ALARM.
3. IF SO DESIRED, ALTERNATIVE IN-WALL MOUNTING BOXES MAY BE INSTALLED.



FLOW SWITCH MUST BE MOUNTED IN HORIZONTAL POSITION



1455 KLEPPE LANE
SPARKS, NEVADA 89431
(775) 359-4712 FAX (775) 359-7424
E-MAIL: HAWS@HAWS.CO.COM
WEBSITE: WWW.HAWS.CO.COM

ECN NO. 6333	REVISED PER BY: ECN: 6492	JL	MODEL(S)	PART NUMBER
DRAWN: MB	DATE: 01/20/26	CHKD: JU	9001R ALARM	0510002342.D
APPROVED: JL	DATE: 06/15/26	SCALE: N/A	DRAWING TYPE: INSTALLATION	REVISION 2
			SIZE: A	SHEET 1 OF 1