



model SP509

Emergency Equipment Parts and Accessories

FEATURES & BENEFITS

OPTIONS

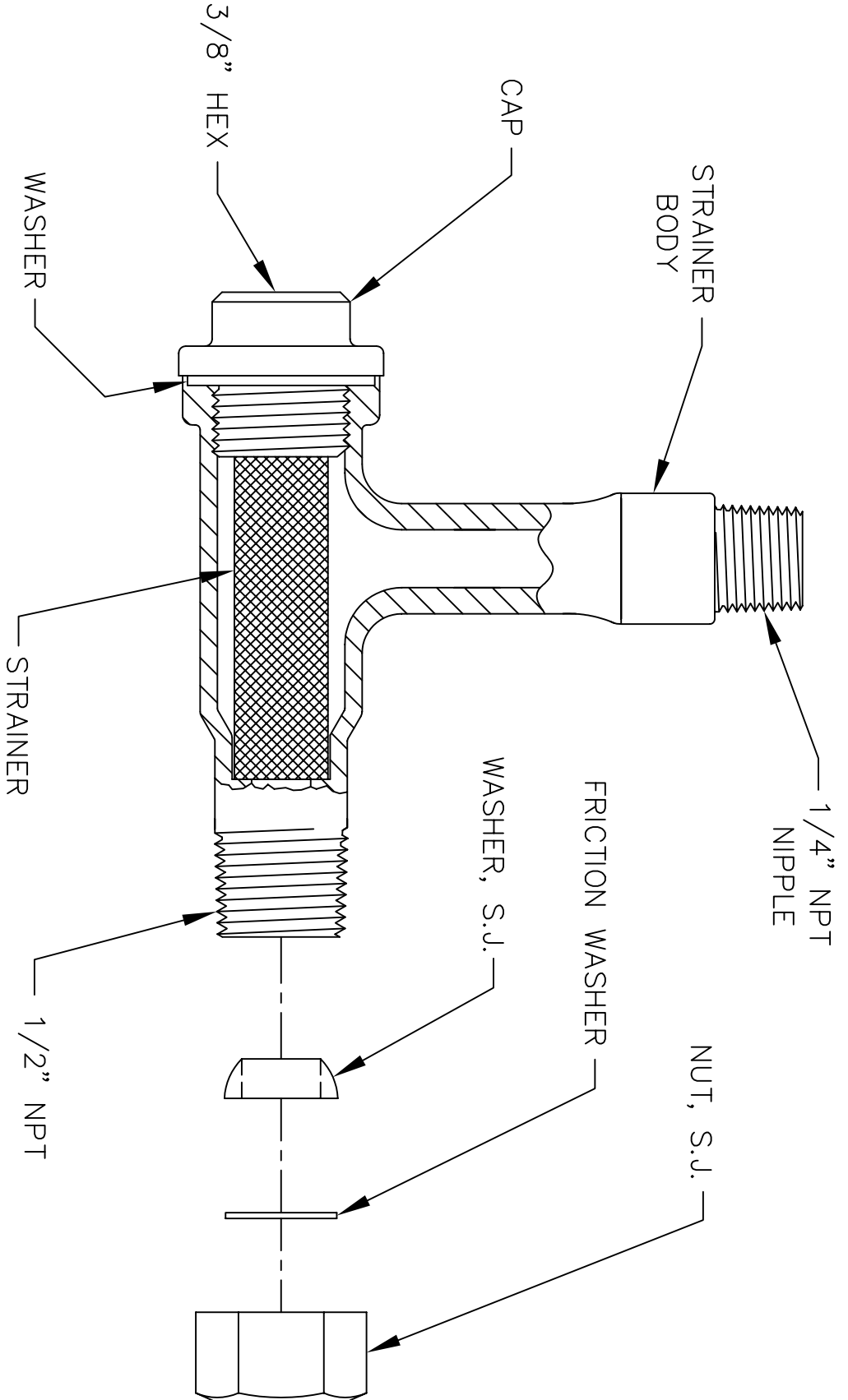
To see all options for this model, visit www.hawesco.com



SPECIFICATIONS

Model SP509 is a fully serviceable in-line, 50 x 50 mesh strainer filters debris from reaching the eye or eye/face wash.

APPLICATIONS



HANSAG	
MODEL: SP509	TITLE: INSTALLATION
DATE: 6/83	INFO FAX: # 252509
REVISION: 1	
REVISION: 2	
REVISION: 3	
REVISION: 4	
REVISION: 5	
REVISION: 6	
REVISION: 7	
REVISION: 8	
REVISION: 9	
REVISION: 10	
REVISION: 11	
REVISION: 12	
REVISION: 13	
REVISION: 14	
REVISION: 15	
REVISION: 16	
REVISION: 17	
REVISION: 18	
REVISION: 19	
REVISION: 20	
REVISION: 21	
REVISION: 22	
REVISION: 23	
REVISION: 24	
REVISION: 25	
REVISION: 26	
REVISION: 27	
REVISION: 28	
REVISION: 29	
REVISION: 30	

INFO FAX : 1-888-FAX-HANS (1-888-329-4297)
HANSAG
Phone: 775-359-4722 Fax: 775-359-7424
Home Ag Building 3 CH-3401 Burgdorf Switzerland
Hans Mfg Pte Ltd 74 Sungai Kerdul Loop Singapore 728531
e-mail: Hansa@hansa.co.com website: www.hansa.com