

## FEATURES & BENEFITS

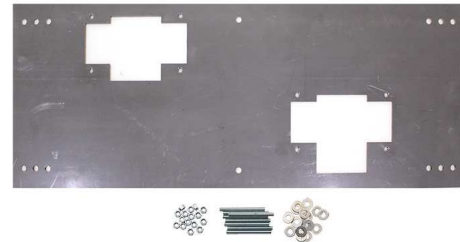
### MOUNTING

Heavy duty 3/16" (.47 cm) steel pre-drilled and threaded in-wall mounting plate along with all-thread studs and hardware

### OPTIONS

Support Frame: Model 6800 In-wall floor mounted fixture support legs, welded steel 4-bolt floor flanges, and supplied with 'U' bolts and hardware.

For more information, visit [www.hawsc.com](http://www.hawsc.com) or call (888) 640-4297.

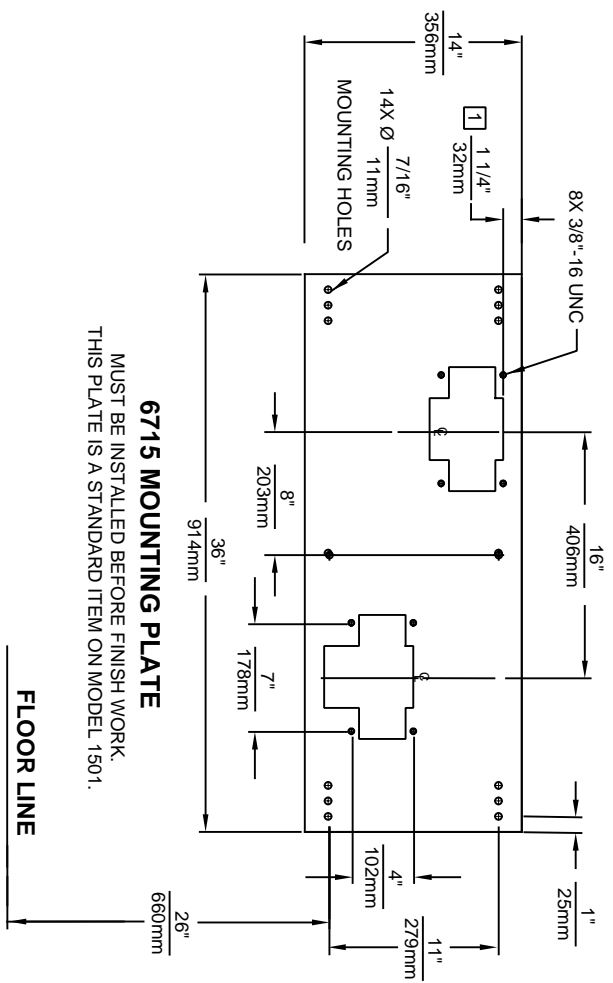
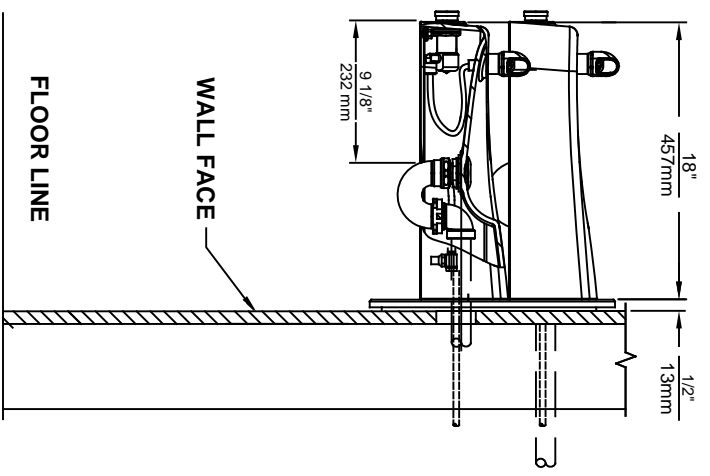
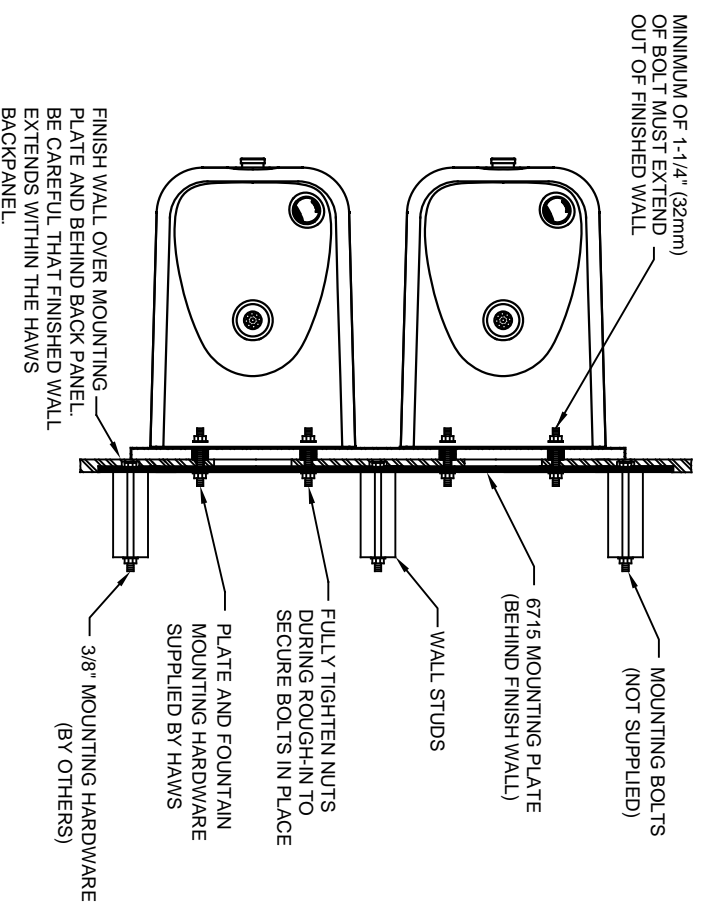


## SPECIFICATIONS

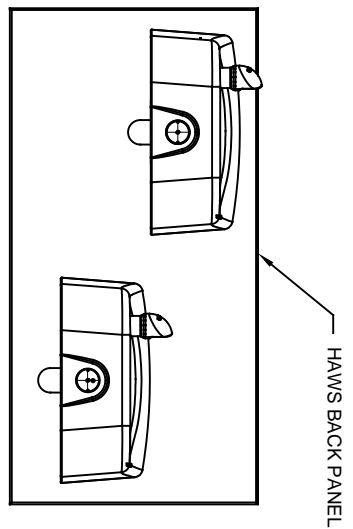
Model 6715 'Hi-Lo' 3/16" thick steel pre-drilled mounting plate is larger, thicker and stronger than any other plate in the industry, and shall include the all-thread studs, nuts, and washers. For use with model 1501 produced after Jan 1st, 2017

## APPLICATIONS

Haws produces mounting plates and frames to assist in the installation process as well as to provide solid bases for the wall mounted designed fountains. Mounting plates and frames meet the requirements solely for the specified applicable fountains and are not designed to be used in the installation of any unspecified fountain.



**6715 MOUNTING PLATE**  
 MUST BE INSTALLED BEFORE FINISH WORK.  
 THIS PLATE IS A STANDARD ITEM ON MODEL 1501.



NOTES:  
 1 1/4" DIM TO SLOTTED OPENING MUST BE ON TOP LEFT HAND SIDE WHEN INSTALLED.

		<b>MODEL(S)</b>	
6715		6715	
ECN NO. REVISED PER BY: FV ECN: 5226 DATE: 01/07/16 CHK'D: DP APPROVED: FV DATE: 04/13/20		SCALE: 1:1 DRAWING TYPE: INSTALLATION SHEET 1 OF 1	
1456 KLEPPE LANE SPARKS, NEVADA 89431 (775) 359-4712 FAX (775) 359-7424 E-MAIL: HAWS@HAWS.CO.COM WEBSITE: WWW.HAWS.CO.COM		PART NUMBER 0310000138 REVISION 2	