

## FEATURES & BENEFITS

---

## OPTIONS

---

For more information, visit [www.hawesco.com](http://www.hawesco.com) or call (888) 640-4297.



Shown Installed on 8300-8309

## SPECIFICATIONS

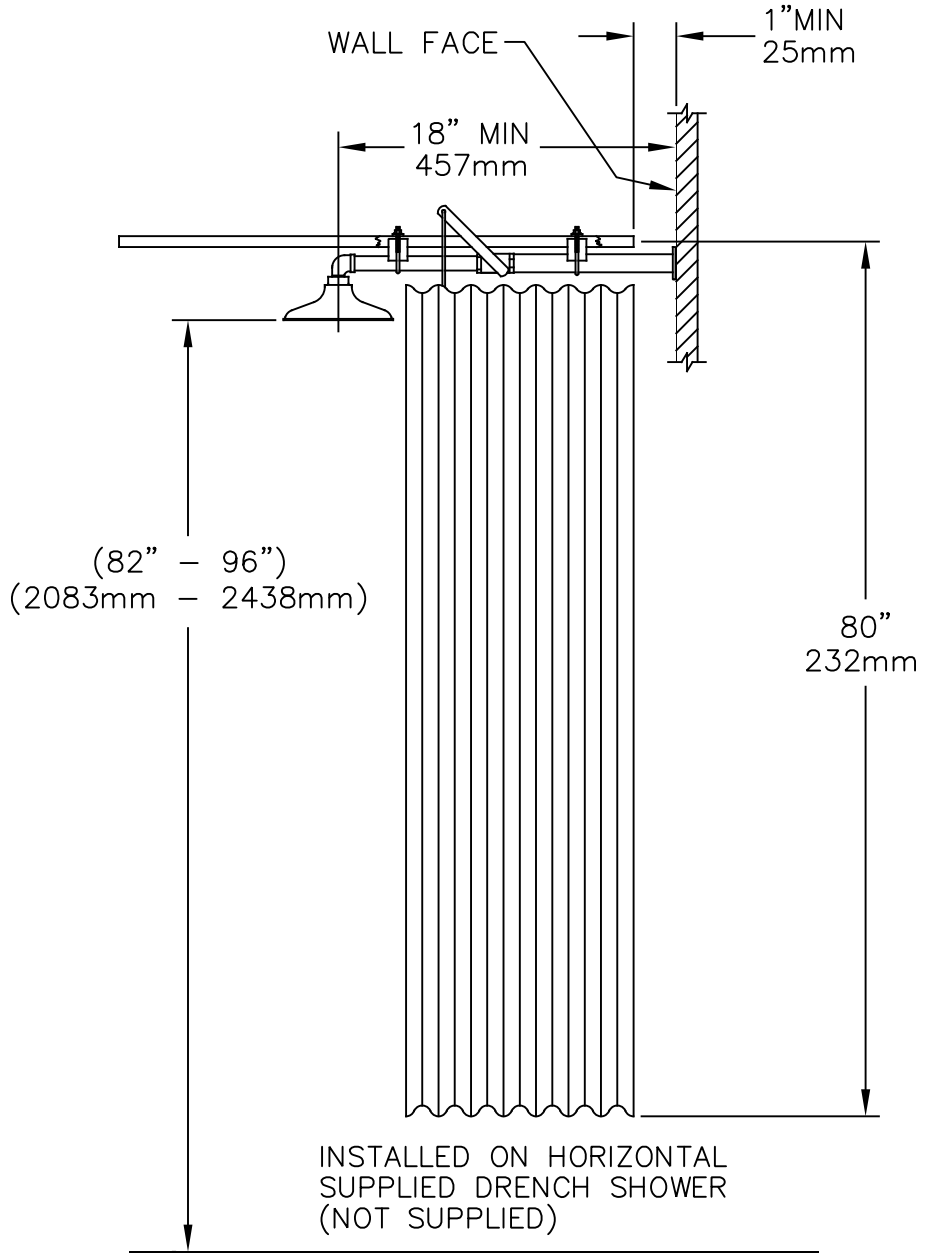
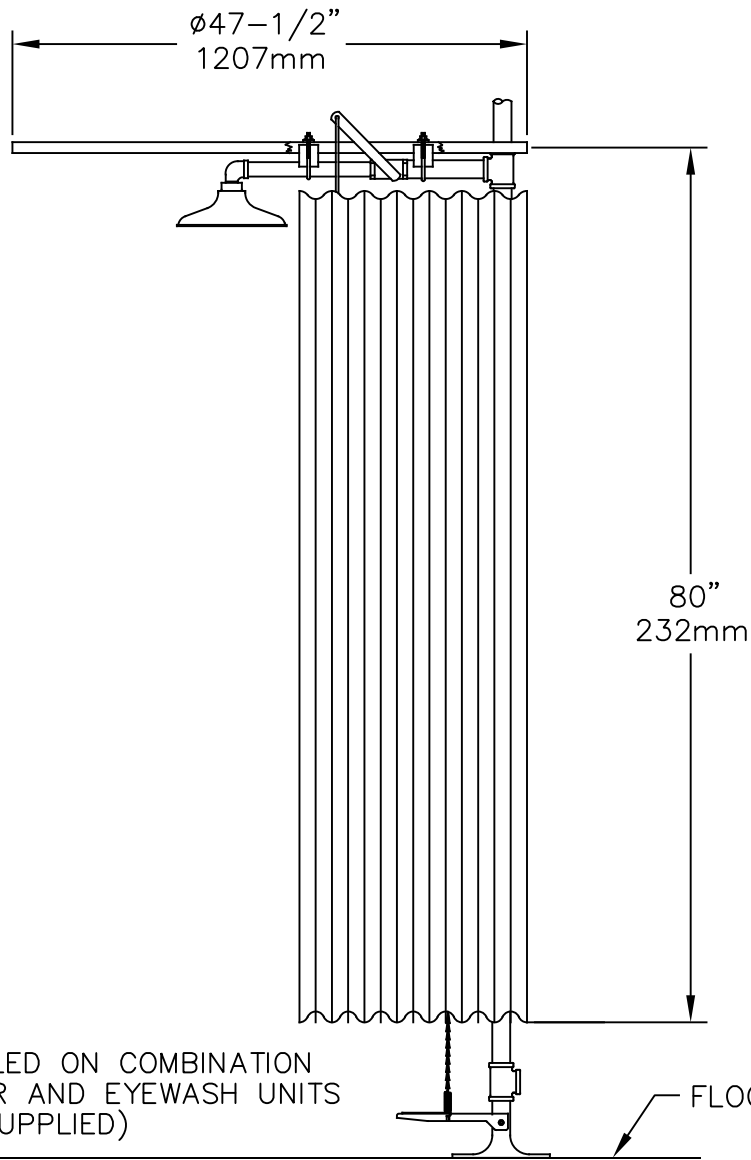
---

Model 9037 protects your personnel by providing shower privacy for removal of contaminated clothing with our easy-to-install privacy curtain. It is designed to be used on horizontal emergency drench shower or combination emergency drench shower and eyewash units. This tyvek yellow curtain can be installed on new or previously installed models. With a quick sweep of the hand on both sides, the curtain wraps around to enclose the shower and user. Durability is provided by the corrosion resistant curtain rod. Partial water containment is provided by the curtain which helps minimize the danger of equipment damage. Privacy gown is included in the pocket of the curtain. Curtain length: 78" (198.1 cm) diameter of Curtain Rod: 47-1/2" (120.6 cm).


## APPLICATIONS

---

THIS DOCUMENT IS TRUE AND CORRECT AT TIME OF PUBLICATION. CONTINUED PRODUCT IMPROVEMENTS MAKE SPECIFICATIONS AND MEASUREMENTS SUBJECT TO CHANGE WITHOUT NOTICE.



**NOTE:**  
 THE ANSI STANDARD SPECIFIES SHOWER HEAD HEIGHT TO BE 82" (283mm) TO 96" (2438mm) ABOVE THE FLOOR.

		<b>Haws</b> <sup>®</sup>		1455 KLEPPE LANE SPARKS, NEVADA 89431 (775) 359-4712 FAX (775) 359-7424 E-MAIL: HAWS@HAWS.CO.COM WEBSITE: WWW.HAWS.CO.COM	
				ECN NO. REVISED PER BY: MODEL(S) ECN: 5297 F.V.	PART NUMBER <b>0002080217.D</b>
DRAWN: C.H. APPROVED: FV	DATE: 05-91 DATE: 05/17/18	CHK'D.: JP	9037 <b>MODESTY CURTAIN</b>	REVISION <b>7</b>	SCALE: 1:18.62 DRAWING TYPE: INSTALLATION SIZE: A
				SHEET 1 OF 1	