



model SP220W

Foot Treadle

FEATURES & BENEFITS

OPTIONS

For more information, visit www.hawsc.com or call (888) 640-4297.



SPECIFICATIONS

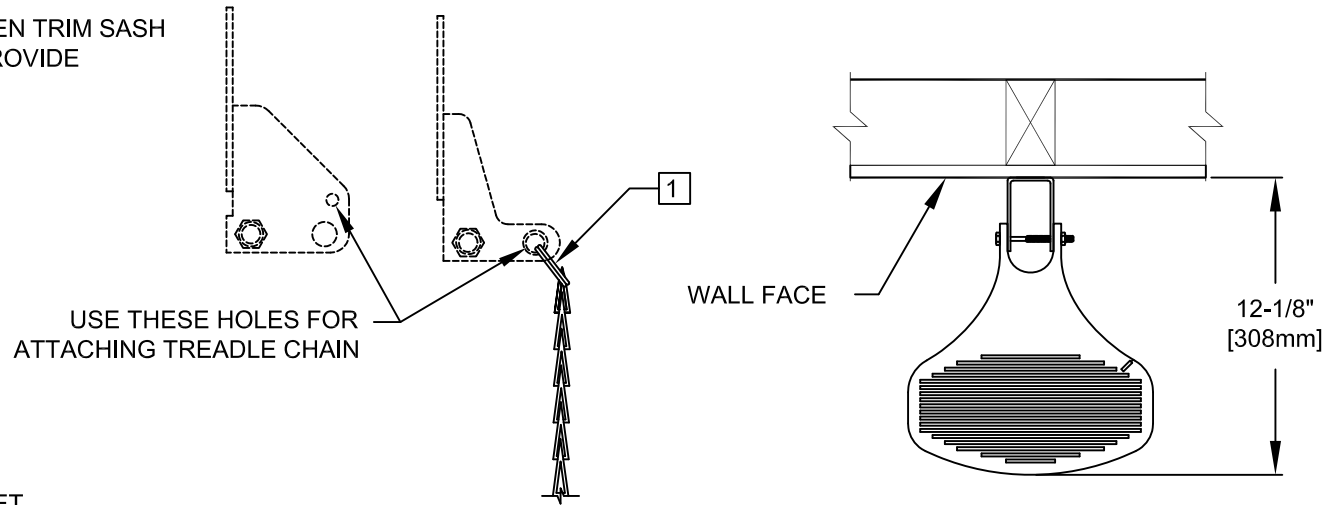
Model SP220W is a foot treadle assembly allows user to operate wall mounted eyewash without using hands. This treadle is specially designed for use with 7000 series wall mounted eyewash models. This model is adaptable to most existing models that operate with a push flag valve.

APPLICATIONS

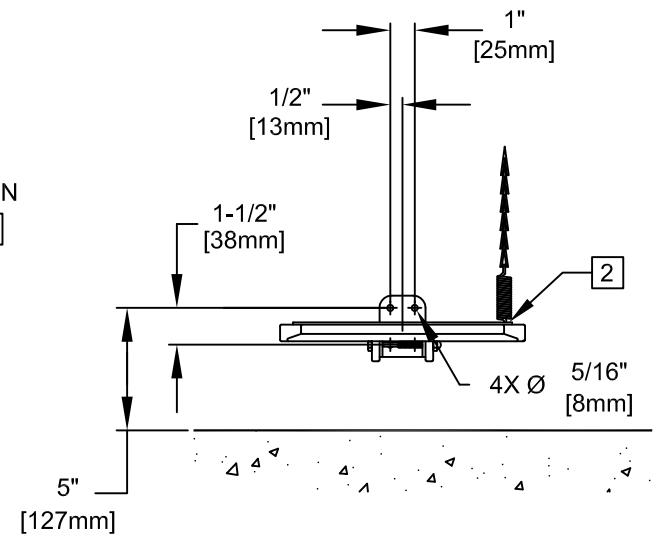
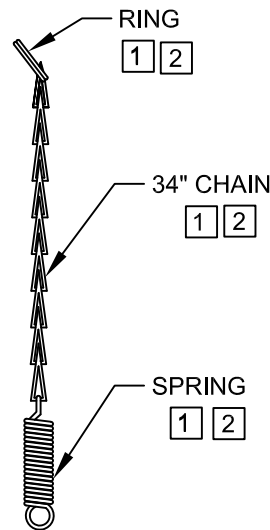
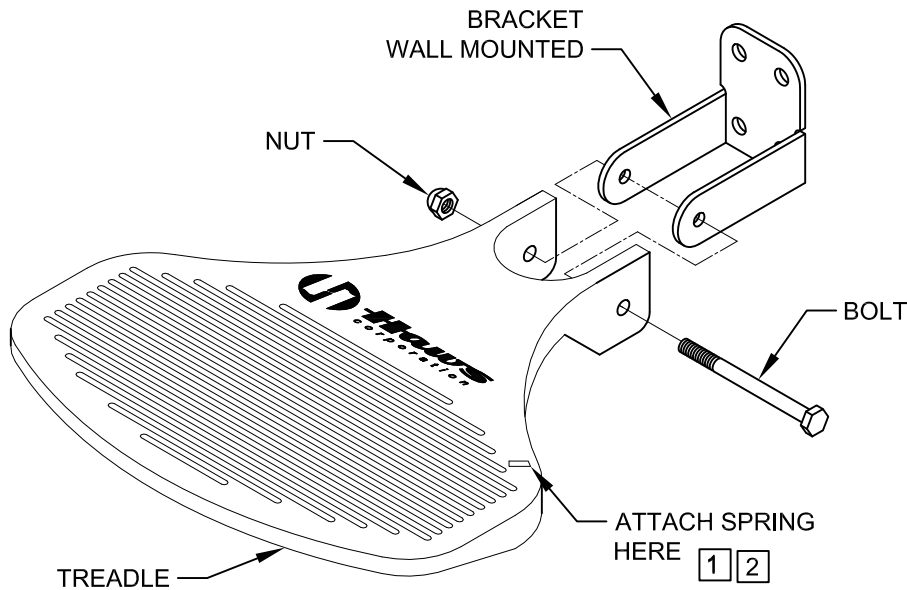
NOTES:

- 1 HOOK SPRING THROUGH SLOTTED OPENING OF TREADLE FROM TOP AND CRIMP SECURING IT TO THE TREADLE. AFTER ASSEMBLING FOOT TREADLE TO WALL, ATTACH COIL RING TO EXISTING PUSH FLAG THEN TRIM SASH CHAIN TO NECESSARY LENGTH IN ORDER TO PROVIDE NORMAL OPERATION OF EYEWASH.
- 2 CRIMP END OF SPRING TO SASH CHAIN.

STYLE A STYLE B



USE THESE HOLES FOR ATTACHING TREADLE CHAIN





Haws

1455 KLEPPE LANE
SPARKS, NEVADA 89431
(775) 359-4712 FAX (755) 359-7424
E-MAIL: HAWS@HAWS.CO.COM
WEBSITE: WWW.HAWS.CO.COM

ECN NO. REVISED PER BY:	MODEL(S)	PART NUMBER	
ECN: 4580 HM	SP220W TREADLE	0002080284	
DRAWN: J. FIGUEROA	DATE: 04/26/00	CHKD:	DRAWING NO. 14668C00
APPROVED:	DATE:		REV 2
SCALE: 1:8 DRAWING TYPE: INSTALLATION		SIZE: A	SHEET 1 OF 1