



model **SP65PD**
AXION® MSR Eye/face Wash Head

FEATURES & BENEFITS

OPTIONS

For more information, visit www.hawesco.com or call (888) 640-4297.



SPECIFICATIONS

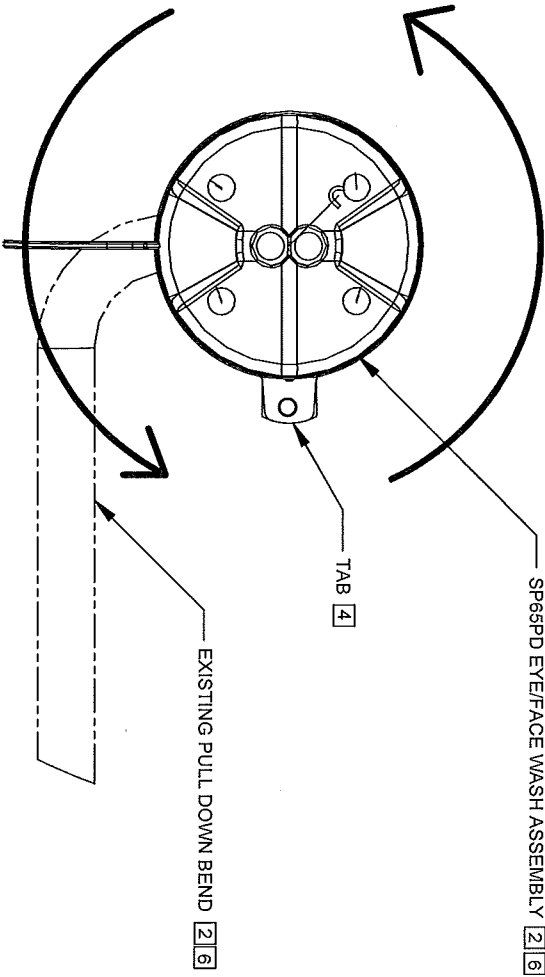
Model SP65PD AXION® MSR eye/face wash head shall include inverted directional flow with laminar flow and an integral 4.2 gpm (15.9 L) flow control, along with a yellow plastic pop-off dust cover. (Not for use with freeze protected models)

APPLICATIONS

Suitable as a replacement for current pulldown eye/face wash and combination shower/eyewash units.

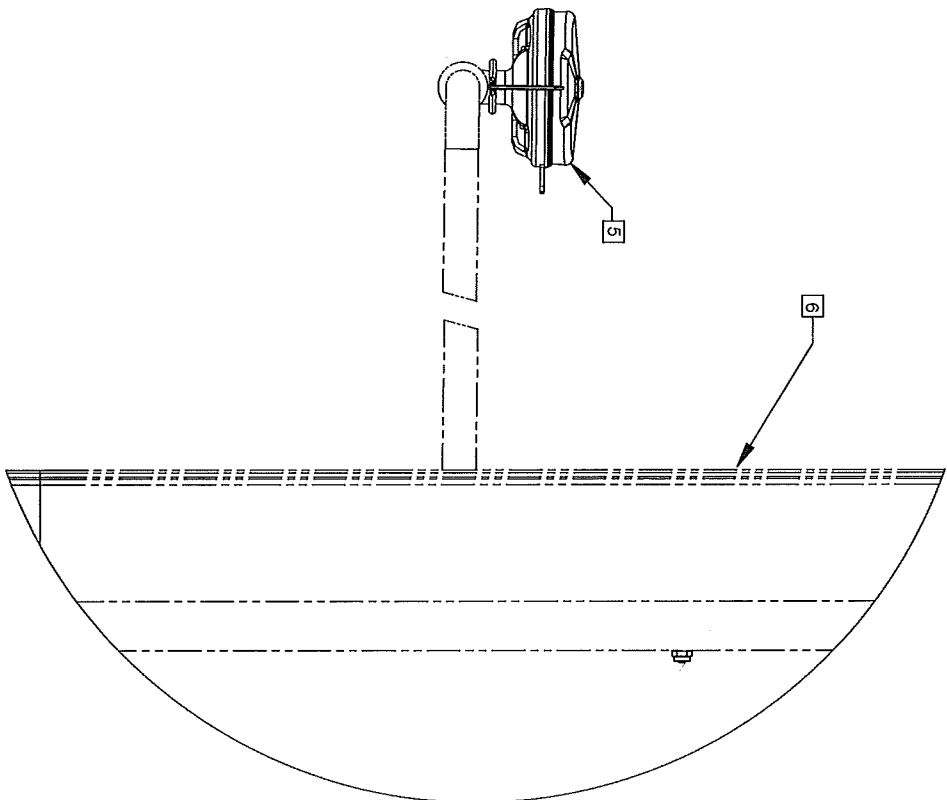
INSTALLATION/ RETRO FIT STEPS

1. IF REPLACING AN EXISTING EYEWASH ASSEMBLY WITH SP65PD FOLLOW STEPS 2 THROUGH 5 AND IF INSTALLING SP65 ON NEW UNIT FOLLOW STEPS 3 THROUGH 5 (IF APPLICABLE).
NOTE: NOT FOR USE ON ANY FREEZE RESISTANT UNIT: i.e. 8300FP, 8300-158, 7433FP, 8317CTFP, 8317CTFP-220V, AND 8317CTFP-C1D1.
- 2 REMOVE EXISTING EYEFACE WASH BY SPINNING EYEFACE WASH COUNTERCLOCKWISE.
- 3 PLACE SP65PD STEM THROUGH DUST COVER LOOP. THREAD SP65 ADAPTER ONTO PULL DOWN BEND UNTIL SNUG.
- 4 THREAD SP65PD ONTO PULL DOWN BEND. ORIENT TAB TOWARDS THE BACK (AWAY FROM USER), DO NOT OVER-TIGHTEN.
- 5 PLACE DUST COVER ONTO EYEFACE WASH
- 6 EXISTING COMPONENTS SHOWN (TYPICAL MODEL) ARE FOR REFERENCE ONLY AND MAY NOT REPRESENT YOUR SPECIFIC UNIT.



TOP VIEW

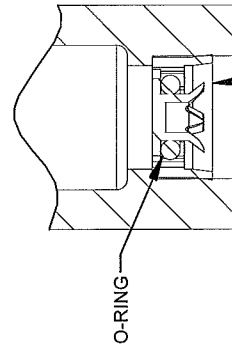
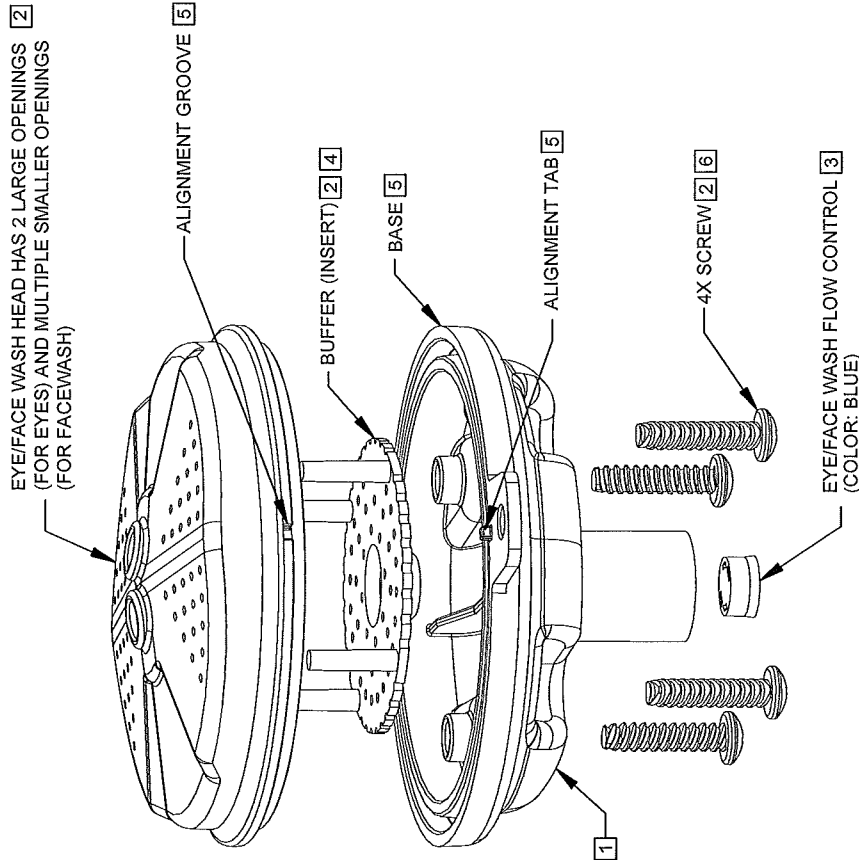
SEE SHEET 2 OF 2
FOR FLOW CONTROL
CLEANING STEPS



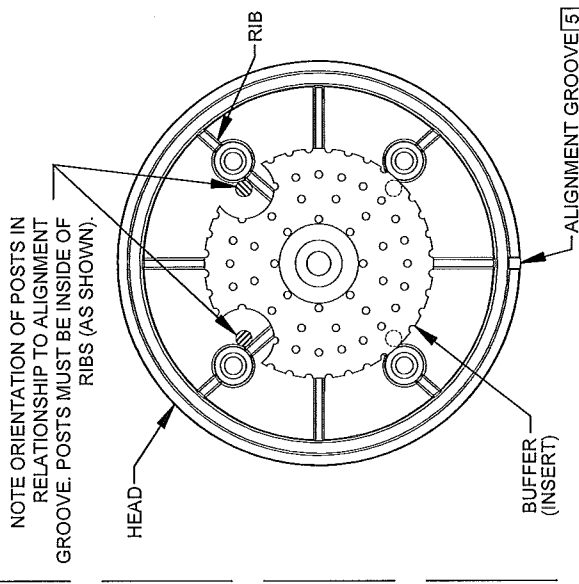
Haws		1455 KLEPPE LANE SPARKS, NEVADA 89431 (775) 359-4712 FAX (755) 359-7424 E-MAIL: HAWMS@HAWSCCO.COM WEBSITE: WWW.HAWSCCO.COM	
ECN NO. REVISED PER BY:	MODEL(S)	SP65PD	PART NUMBER
4798 H. MERRITT	AXION EYEFACE WASH		0002080022
DATE: 04/04/13	SCALE: 1:8	DRAWING TYPE: INSTALLATION	DRAWING NO. 16276A
APPROVED: [Signature]	SIZE: A	SHEET 1 OF 2	REV 1

FLOW CONTROL CLEANING STEPS:

- 1 UNSCREW EYE/FACE WASH ASSEMBLY FROM ADAPTER (NOT SHOWN).
- 2 REMOVE SCREWS (QTY. 4) FROM SP65 EYE/FACE WASH ASSEMBLY. REMOVE EYE/FACE WASH HEAD AND BUFFER (INSERT).
- 3 REMOVE EXISTING FLOW CONTROL FROM BASE BY PUSHING IT OUT FROM THE TOP, AND CAREFULLY REMOVE ANY DEBRIS LODGED BETWEEN O-RING AND HOUSING OR OPENINGS. ALSO, CHECK FOR ANY SEDIMENT OR MINERAL DEPOSITS BLOCKING OPENINGS. EXERCISE CAUTION NOT TO DAMAGE OR LOSE O-RING IN THE PROCESS. ALL OPENINGS ON FLOW CONTROL MUST BE FREE AND CLEAR OF ANY OBSTRUCTIONS FOR FLOW CONTROL TO FUNCTION PROPERLY. REINSTALL FLOW CONTROL. SEE DETAIL A FOR ORIENTATION.
- 4 INSERT BUFFER (INSERT) INTO EYE/FACE WASH HEAD NOTING ORIENTATION OF POST IN RELATIONSHIP TO ALIGNMENT GROOVE AS SHOWN ON DETAIL B.
- 5 REASSEMBLE EYE/FACE WASH HEAD, MAKING SURE THAT ALIGNMENT GROOVE ON EYE/FACE WASH HEAD LINES UP WITH ALIGNMENT TAB ON BASE.
- 6 REINSTALL SCREWS (QTY. 4) INTO THE EYE/FACE WASH ASSEMBLY. TIGHTEN SNUG TO ENSURE A WATERTIGHT SEAL. DO NOT OVER-TIGHTEN. TORQUE SPEC: 4 IN. LBS. MAX
- 7 REASSEMBLE SP65 EYE/FACE WASH ASSEMBLY ONTO ADAPTER (NOT SHOWN). ORIENT TAB TOWARDS THE BACK (AWAY FROM USER). DO NOT OVER-TIGHTEN.
- 8 PLACE DUST COVER (NOT SHOWN) ONTO EYE/FACE WASH.



3 DETAIL A



4 DETAIL B

1455 KLEPPE LANE
SPARKS, NEVADA 89431
(775) 359-4712 FAX (755) 359-7424
E-MAIL: HAWS@HAWS.CO.COM
WEBSITE: WWW.HAWS.CO.COM

SEE SHEET 1 OF 2
FOR INSTALLATION/
RETROFIT STEPS

CON NO.	REVISED PER:	MODEL(S)	PART NUMBER
4758	ECN-2658	SP65PD	0002080022
4759	DAK13	AXION EYE/FACE WASH	DRAWING NO.
4760	DAK13	INSTALLATION	16276A
APPROVED:	DATE:	SCALE: 1:18	SIZE: A
			SHEET 2 OF 2